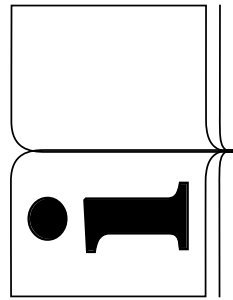


WERK[®]U



ENG ORIGINAL INSTRUCTIONS / ORBITAL CIRCULAR SANDER
ESP INSTRUCCIONES ORIGINALES / LIJADORA CIRCULAR ORBITAL
DEU ORIGINALANLEITUNGEN / SCHWINGKREISSCHLEIFER
FRA INSTRUCTIONS ORIGINALES / PONCEUSE CIRCULAIRE ORBITALE
NED ORIGINELE INSTRUCTIES / ORBITALE CIRCULAIRE SCHIJRMACHINE
POR INSTRUÇÕES ORIGINAIS / LIXADORA CIRCULAR ORBITAL

710 W - 150 MM - 3000-6300 RPM

WK400100

CE DECLARATION CONFORMITY.

► Werku® declares that the sander is in accordance with the European Directives and Standards 2006/42/CE, 2006/95/CE, 2004/108/CE, EN60745-1:2009+A11:2010, EN60745-2-4:2009+A11:2011, EN55014-1:2006, EN55014-2:1997+A1:2001+A:2008, EN61000-3-2:2006, EN61000-3-3:1995+A1:2001+A2:2005 and EN61000-3-3:2008.

La Coruña, 01/01/2015
R Yáñez
Werku Tools SA

TECHNICAL CHARACTERISTICS.

► Voltage-frequency 230V~50Hz ► Power 710W
► Class II ► Protection index IP20 ► Exhaust system ► Speed rate 3000-6300 min⁻¹ ► Disc diameter 150mm ► Orbit diameter 4mm ► Net weight 2.7 kg ► Acoustic pressure LpA <85 dB(A) ► Respective uncertainty KpA 3 dB(A)
► Acoustic pressure LwA ≤96 dB(A) ► Respective uncertainty KwA 3 dB(A) ► Vibration Ah <5.93 m/s²
► Respective uncertainty Kh 1.5 m/s².

SAFETY INSTRUCTIONS.

► Read all security warnings and all instructions
► Failure to follow all warnings and instructions listed below may result in electrical shock, fire and/or serious injury ► Keep all warnings and all instructions for future reference ► Accidents can be avoided in many cases by recognizing a potentially hazardous situation before it occurs and by observing appropriate safety procedures ► Do not use this sander for other applications than those specified in this manual.

WORK AREA SAFETY.

► Keep work area clean and well lit ► Cluttered and dark areas invite accidents ► Do not handle power tools in explosive atmospheres, such as in the presence of flammable liquids, gases or dusts
► Keep away from children and curious while operating a power tool ► Distractions can cause you to lose control.

PERSONAL SAFETY.

► Stay alert, watch what you are doing and use common sense when operating a power tool
► Do not use a power tool while tired or under the influence of drugs, alcohol or medicines ► A moment of inattention while operating power tools may cause damage serious personal.

USE PPE'S.

► Use protection glasses according ► Use protection masks according ► If required by the type of work, use other precise PPE.

DO NOT WORK ON TIPTOES.

► Keep your feet on the ground and balance at all times ► This enables better control of the power tool in unexpected situations.

DRESS PROPERLY.

► Do not wear loose clothing or jewelry ► Keep your hair, clothing and gloves away from moving parts ► Loose clothes, jewelry or long hair can be caught in moving parts ► If there are devices for connecting means for extracting and collecting dust, make sure they are connected and properly used ► The use of these devices can reduce dust related hazards.

ELECTRICAL SAFETY.

► The plug of the power tool must match with the base of the socket ► Never modify the plug in any way ► Do not use any adapter plug with earthed power tools ► Unmodified plugs and matching bases will reduce the risk of electric shock ► Avoid body contact with grounded surfaces such as pipes, radiators, cookers and refrigerators ► There is an increased risk of electric shock if your body is grounded ► Do not expose power tools to rain or wet conditions
► Water entering the power tool will increase the risk of electric shock

DO NOT ABUSE THE CORD.

► Never use the cord to carry, lift or unplug the power tool ► Keep the cord away from heat, oil, sharp edges or moving parts ► Damaged or entangled cords increase the risk of electric shock ► When operating a power tool outdoors, use an extension cord suitable for outdoor use
► The use of an extension cord suitable for outdoor use reduces the risk of electric shock
► If the use of a power tool in a damp location is unavoidable, use a power protected by a residual current device (RCD) ► The use of an RCD reduces the risk of electric shock.

AVOID ACCIDENTAL STARTING.

► Make sure the switch is in "off" position before connecting to the network, or when taking or carrying the power tool ► Carrying power tools with your finger on the switch or plugging in power tools that have the switch in "on" position

invites to accidents ▶ Remove keys or tools before starting the power tool ▶ A left key or tool attached to a rotating part of a power tool can cause personal injury.

USE AND CARE OF POWER TOOLS.

▶ Do not force the power tool ▶ Use the correct power tool for your application ▶ The correct power tool will do the job better and safer at the rate for which it was conceived ▶ Do not use the power tool if the switch cannot be positioned to “off” and “on” position ▶ Any power tool that cannot be controlled with the switch is dangerous and must be repaired ▶ Remove the plug from the power supply and/or battery before making any adjustments, changing accessories or storing the power tool ▶ Such preventive safety measures reduce the risk of starting the power tool accidentally.

STORE POWER TOOLS.

▶ Store power tools out of reach of children and not allow the handling of power tools to people unfamiliar with the tools or these instructions ▶ Power tools are dangerous in the hands of untrained users.

MAINTENANCE.

▶ Check moving parts for misalignment or binding, there are no broken parts or other conditions that may affect the operation of power tools ▶ Power tools are repaired before use when they are damaged ▶ Many accidents are caused by poorly maintained power tools ▶ Use power tools, accessories and tool tips, etc. according to these instructions and in the manner provided for the particular type of power tool, taking into account the conditions work and work to develop ▶ The use of the power tool for applications other than those intended could result in a dangerous situation ▶ Please check your power tool serviced by a Werku® official repair service using only identical replacement parts ▶ This will ensure the safety of the power tool is maintained.

CHECK THE GOOD CONDITION OF THE SANDER.

▶ Make sure that all the screws in the sander are perfectly tightened ▶ In cold climates or when the sander has not been used for a period, allow the sander to warm up by leaving it to run empty for a few minutes, to ensure that all internal components are perfectly lubricated ▶ Make sure that the possible installed accessories are perfectly fitted in place.

BEFORE STARTING WORK.

▶ Make sure that the suction sander is firmly supported before using ▶ Check that no one is standing beneath you when using the suction sander in high areas ▶ Keep your hands away from all moving parts of the suction sander.

DURING THE OPERATION.

▶ Do not leave the suction sander operating without having it firmly fixed ▶ Only turn it on when you are sure you have full control over it ▶ Do not point the suction sander at anyone while in use ▶ When operating the suction sander will produce vibrations ▶ The screws may gradually come loose, and possibly cause faults or accidents ▶ Keep your hands away from all moving parts of the suction sander.

AT FINISH WORKING.

▶ Do not touch the possible accessories installed in the suction sander after use ▶ It may be hot and cause burns ▶ Some materials worked with may contain chemicals or toxic components ▶ Avoid inhaling these substances or allowing them to come into contact with your skin ▶ Use PPE designed to prevent and protect against incidents of this kind.

DESCRIPTION OF THE PRODUCT.

▶ The sander has been designed to carry out jobs of polishing and sanding ▶ Refer to this plan to familiarize yourself with the sander before use.



1. Switch.
2. Handle.
3. Dust collector.
4. Base.
5. Speed selector.

USE INSTRUCTIONS.

► Before starting up the sander, we recommend that you carefully read all of the instructions as indicated ► Please respect all regulations regarding the prevention of accidents, health and safety directives, laws and applicable restrictions for work places ► The sander must only be used by persons who have been instructed in its use and only for the purposes for which it has been designed.

POWER SUPPLY.

► Make sure the power supply is adapted to the requirements shown on the information panel of the sander (1) ► Using the motor at low voltage will make it operate slowly ► This will reduce performance and may cause the motor to overheat.

EXTENSION CORD.

► If the working area is at some distance from the power supply, use an extension cord of enough diameter and quality.

OPERATION.

► To turn the sander on, press the power switch (2) ► Move the sander in long sweeping strokes along the surface being sanded, letting the sander do the work (3) ► Pushing down on the sander slows the removal rate and produces an inferior quality surface (4) ► Never operate with the sander inclined, this can damage the base and break the sandpaper (5) ► Be sure to check your work often ► This sander is capable of removing material rapidly, especially with coarse paper ► To produce the best finish possible, start with coarse grit sandpaper and change gradually to finer and finer paper ► A final sanding with a piece of well-worn fine sandpaper will produce a professional looking finish that in many cases will need no hand sanding at all ► The rate at which the dust collection bag will fill up will vary with the type of material being sanded and the coarseness of the sandpaper ► For best results, empty the bag frequently and check the opening for clogging ► When sanding painted surfaces, you may find that the sandpaper loads up and clogs with paint ► A heat gun will work much better to remove paint before sanding ► Avoid overloading the sander ► Overloading will result in a considerable reduction in speed and efficiency and the sander will become hot ► In this event, run sander at a no-load condition for a minute or two.

DUST EXTRACTION.

► The sander includes a integrated dust collector.

TO EMPTY DUST COLLECTOR.

► While holding the sander and remove the dust collector cup ► Gently shake or tap the dust collector to empty ► Put again the cup in the dust collector ► Sanding dust exhaust may create a breathing hazard.

PRECAUTIONS TO TAKE WHEN SANDING PAINT.

► Sanding of lead based paint is not recommended due to the difficulty of controlling the contaminated dust ► The greatest danger of lead poisoning is to children and pregnant women.

CLEANING AND DISPOSAL.

► All surfaces in the work area should be vacuumed and thoroughly cleaned daily for the duration of the sanding project ► Vacuum filter bags should be changed frequently.

FIXING THE SANDING DISCS IN PLACE.

► Disconnect the sander from the power supply before making any adjustments or replacing accessories ► The sanding discs are held in place with velcro (6) ► Align the sanding disc over the plate so that their edges meet ► Press the sanding disc in place onto the base until it is firmly held in place.

SPEED SELECTOR.

► The sander is equipped with a speed selector ► The optimum speed adjustment for each application mainly depends on the user's preferences ► In general, a high value is preferable for hard materials and a lower value for soft materials ► The speed at which material is removed increases with the spin speed.

MAINTENANCE.

► The sander has been designed for a long working life with minimum maintenance ► Optimum use depends on correct care of the sander and regular cleaning ► To prevent accidents, always unplug the sander from the power source before cleaning or performing any maintenance ► The sander may be cleaned effectively using compressed air after each use ► If compressed air is not available, use a brush to remove dust from the sander ► Motor ventilation vents and switch levers must be kept clean and

free of foreign matter ▶ Do not attempt to clean by inserting pointed objects through openings ▶ Certain cleaning agents and solvents damage plastic parts, among them are gasoline, carbon tetrachloride, chlorinated cleaning solvents, ammonia and household cleaners containing ammonia ▶ Do not use any of these to clean the sander ▶ Should excessive sparking occur, have a Werku® official repair service exam and/or replace the carbon brushes.

ENVIRONMENT PROTECTION.

▶ The materials and components that have been used to manufacture this product can be re-used and recycled ▶ Werku® is adhered to an Integrated Management System that is in charge of the correct elimination of the residues of this product ▶ Do not eliminate this product with domestic residues ▶ Werku® offers to its clients a free collection service of these residues through any of its sale points, or in the collection points established by the Integrated Management System or in the recycling point of your locality.

WARRANTY AND TECHNICAL SERVICE.

▶ Apart from the legal guarantee, Werku® offers an additional commercial guarantee ▶ This commercial guarantee covers the repair of all defects found due to faults in the materials or manufacture ▶ For this cover to be effective it is necessary for these defects to appear within the validity period ▶ The consumer is entitled to free repair of all defects that Werku® recognises as included in the commercial guarantee (shipping costs, labour costs and materials included) as chosen by Werku®, either via the repair or by replacement (if necessary with a later model) ▶ This commercial guarantee does not affect consumer's rights established by law according to Directive 1999/44/CE ▶ This commercial guarantee is valid for 24 months ▶ If this product is destined for professional or industrial use, the validity period is 12 months ▶ The validity period starts on the date of purchase by the first consumer ▶ This date is shown on the invoice or receipt of purchase ▶ Actions for claims against this commercial guarantee expire six months from the end of the validity period ▶ Any claims arising from this commercial guarantee must be presented to the distributor or the Technical Assistance Service ▶ To do so you must present

this guarantee correctly completed and stamped by the distributor, together with the sale invoice or receipt ▶ In order to require any information in relation to this commercial guarantee, the buyer and/or distributor may contact the Technical Assistance Service by telephone on +34 981 648 119, or by e-mail at info@werku.com ▶ This commercial guarantee does not cover defects caused by parts that have worn out from use other types of natural wear, defects caused by failure to observe the instructions for use and operation, or for applications other than those for which this product is intended, abnormal environmental factors, overloading, or unsuitable maintenance or cleaning, faults caused by the use of spare parts, accessories or replacements that are not original Werku® parts, if the product has been totally or partially disassembled, modified or repaired by personnel other than that of the Technical Assistance Service or minimum and irrelevant irregularities for suitable use or operation ▶ Repairs and replacements will not extend or renew the validity period of this commercial guarantee ▶ The replaced parts will become the property of Werku® ▶ If the buyer sends the product to the Technical Assistance Service, and it fails to comply with the conditions of this commercial guarantee, all expenses and transportation risks shall be paid by the buyer ▶ This commercial guarantee is only valid within the territory of the European Union ▶ The company responsible for the compliance of this Werku® commercial guarantee is Rico-Yáñez SA.

TECHNICAL ADVICE.

▶ The technical department of Werku® is at your disposal to resolve any questions you may have regarding to its products ▶ If you wish to contact our team, send an e-mail to info@werku.com.

DECLARACIÓN CONFORMIDAD CE.

► Werku® declara que la lijadora cumple las Directivas y Normativas Europeas 2006/42/CE, 2006/95/CE, 2004/108/CE, EN60745-1:2009+A11:2010, EN60745-2-4:2009+A11:2011, EN55014-1:2006, EN55014-2:1997+A1:2001+A:2008, EN61000-3-2:2006, EN61000-3-3:1995+A1:2001+A2:2005 y EN61000-3-3:2008.

La Coruña, 01/01/2015
R Yáñez
Werku Tools SA

CARACTERÍSTICAS TÉCNICAS.

► Voltaje-frecuencia 230V~50Hz ► Potencia 710W
► Clase II ► Índice de protección IP20 ► Sistema extracción ► Revoluciones 3000-6300 min⁻¹
► Diámetro disco 150mm ► Diámetro órbita 4mm
► Peso neto 2.7 kg ► Presión acústica LpA ≤85 dB(A) ► Posible variación KpA 3.0 dB(A) ► Presión acústica LwA ≤96 dB(A) ► Posible variación KwA 3.0 dB(A) ► Vibración Ah <5.93 m/s² ► Posible variación Kh 1.5 m/s².

INSTRUCCIONES DE SEGURIDAD.

► Lea todas las advertencias de seguridad y todas las instrucciones ► La no observación de todas las advertencias e instrucciones relacionadas a continuación puede dar como resultado un choque eléctrico, fuego y/o una lesión seria ► Guarde todas las advertencias y todas las instrucciones para una referencia futura ► Los accidentes podrán evitarse en muchos casos dándose cuenta de una situación peligrosa antes de que se produzca, y observando fielmente los procedimientos de seguridad apropiados ► No utilice nunca esta lijadora para aplicaciones que no sean las especificadas en este manual.

SEGURIDAD DEL AREA DE TRABAJO.

► Mantenga el área de trabajo limpia y bien iluminada ► Las áreas desordenadas y oscuras provocan accidentes ► No maneje herramientas eléctricas en atmósferas explosivas, tales como en presencia de líquidos, gases o polvos inflamables ► Mantenga alejados a los niños y curiosos mientras maneja una herramienta eléctrica ► Las distracciones pueden causarle la pérdida del control.

SEGURIDAD PERSONAL

► Esté alerta, vigile lo que está haciendo y use el sentido común cuando maneje una herramienta eléctrica ► No use una herramienta eléctrica cuando esté cansado o bajo la influencia de drogas, alcohol o medicamentos ► Un momento de distracción mientras maneja herramientas eléctricas puede causar un daño personal serio.

USE EPIS.

► Use gafas de protección según EN166 ► Use mascarilla de protección según EN149 ► Si el tipo de trabajo a realizar lo requiere, utilice otros EPIS precisos.

NO TRABAJE DE PUNTILLAS.

► Mantenga los pies bien asentados sobre el suelo y conserve el equilibrio en todo momento ► Esto permite un mejor control de la herramienta eléctrica en situaciones inesperadas.

VISTA ADECUADAMENTE.

► No vista ropa suelta o joyas ► Mantenga su pelo, su ropa y guantes alejados de las piezas en movimiento ► La ropa suelta, las joyas o el pelo largo pueden ser cogidos en las piezas en movimiento ► Si hay dispositivos para la conexión de medios de extracción y recogida de polvo, asegúrese de que éstos estén conectados y se usen correctamente ► El uso de estos dispositivos puede reducir los riesgos relacionados con el polvo.

SEGURIDAD ELÉCTRICA.

► La clavija de la herramienta eléctrica debe coincidir con la base de la toma de corriente ► No modificar nunca la clavija de ninguna manera ► No usar ningún adaptador de clavijas con herramientas eléctricas puestas a tierra ► Clavijas no modificadas y bases coincidentes reducirán el riesgo de choque eléctrico ► Evite el contacto del cuerpo con superficies puestas a tierra como tuberías, radiadores, cocinas eléctricas y refrigeradores ► Hay un riesgo aumentado de choque eléctrico si su cuerpo está puesto a tierra ► No exponga las herramientas eléctricas a la lluvia o a condiciones de humedad ► El agua que entre en la herramienta eléctrica aumentará el riesgo de choque eléctrico.

NO ABUSE DEL CABLE.

► No usar nunca el cable para llevar, levantar o desenchufar la herramienta eléctrica ► Mantenga el cable lejos del calor, aceite, cantos vivos o piezas en movimiento ► Los cables dañados o enredados aumentan el riesgo de choque eléctrico ► Cuando maneje una herramienta eléctrica en el exterior, use una prolongación de cable adecuada para uso en el exterior ► El uso de una prolongación de cable adecuada para uso en el exterior reduce el riesgo de choque eléctrico ► Si el uso de una herramienta eléctrica en un lugar húmedo es inevitable, use una alimentación protegida por un dispositivo de corriente residual (RCD) ► El uso de un RCD reduce el riesgo de choque eléctrico.

EVITE UN ARRANQUE ACCIDENTAL.

► Asegúrese de que el interruptor está en posición "off" antes de conectar a la red, o al coger o transportar la herramienta eléctrica ► Transportar herramientas eléctricas con el dedo sobre el interruptor o enchufar herramientas eléctricas que tienen el interruptor en posición "on" invita a accidentes ► Retire llaves o herramientas antes de arrancar la herramienta eléctrica ► Una llave o herramienta dejada unida a una pieza rotativa de una herramienta eléctrica puede causar un daño personal.

UTILIZACIÓN Y CUIDADOS DE LAS HERRAMIENTAS ELÉCTRICAS.

► No fuerce la herramienta eléctrica ► Use la herramienta eléctrica correcta para su aplicación ► La herramienta eléctrica correcta hará el trabajo mejor y más seguro al ritmo para la que fue concebida ► No use la herramienta eléctrica si el interruptor no se puede posicionar en "off" y "on" ► Cualquier herramienta eléctrica que no pueda controlarse con el interruptor es peligrosa y debe repararse ► Desenchufe la clavija de la fuente de alimentación y/o de la batería antes de efectuar cualquier ajuste, cambio de accesorios, o de almacenar las herramientas eléctricas ► Tales medidas preventivas de seguridad reducen el riesgo de arrancar la herramienta accidentalmente.

ALMACENE LAS HERRAMIENTAS ELÉCTRICAS.

► Almacene las herramientas eléctricas inactivas fuera del alcance de los niños y no permita el manejo de la herramienta a personas no familiarizadas con las herramientas eléctricas o con estas instrucciones ► Las herramientas eléctricas son peligrosas en manos de usuarios no entrenados.

MANTENIMIENTO.

► Compruebe que las partes móviles no estén desalineadas o trabadas, que no haya piezas rotas u otras condiciones que puedan afectar el funcionamiento de las herramientas eléctricas ► Las herramientas eléctricas se reparan antes de su uso, cuando están dañadas ► Muchos accidentes son causados por herramientas eléctricas pobremente mantenidas ► Use la herramienta eléctrica y accesorios de acuerdo con estas instrucciones y de la manera prevista para el tipo particular de herramientas eléctricas, teniendo en cuenta las condiciones de trabajo y el trabajo a desarrollar ► El uso de herramientas eléctricas para aplicaciones diferentes de las previstas podría causar una situación de peligro ► Haga revisar su herramienta eléctrica por un servicio oficial de reparación Werku® usando solamente piezas de recambio idénticas ► Esto garantizará que la seguridad de la herramienta eléctrica se mantiene.

VIGILE EL BUEN ESTADO DE LA LIJADORA.

► Revise que todos los tornillos de la lijadora estén perfectamente apretados ► En climas fríos o cuando la lijadora haya estado sin uso durante largo tiempo, deje que la lijadora se caliente un poco haciéndola funcionar en vacío unos minutos para permitir una perfecta lubricación de los componentes internos ► Asegúrese de que los posibles accesorios instalados están perfectamente asentados en su posición.

ANTES DE EMPEZAR A TRABAJAR.

► Asegúrese siempre antes de utilizar la lijadora que se encuentra firmemente apoyado ► Compruebe que nadie se encuentra bajo la zona de influencia de la lijadora cuando lleve a cabo trabajos en zonas elevadas ► Aleje las manos de las partes en movimiento de la lijadora.

DURANTE EL FUNCIONAMIENTO.

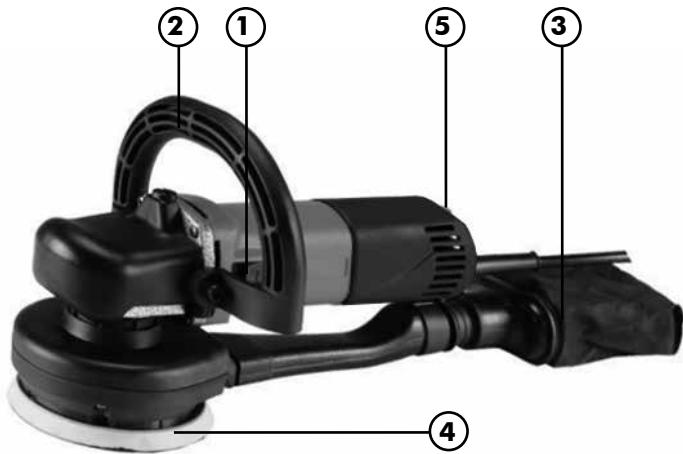
► No deje la lijadora funcionando sin tenerlo bien sujeto ► Hágala funcionar cuando esté seguro de que la tiene plenamente controlada ► No apunte con la lijadora a nadie durante su funcionamiento ► Durante la operación, la lijadora puede producir vibración ► Los tornillos pueden ir aflojándose progresivamente pudiendo causar una avería o accidente ► Aleje las manos de las partes en movimiento de la lijadora.

AL TERMINAR DE TRABAJAR.

► No toque los accesorios instalados en la lijadora tras su uso ► Pueden estar muy calientes y causar una quemadura ► Algunos materiales sobre los que se trabaja pueden contener químicos o componentes que pueden ser tóxicos ► Tenga cuidado para prevenir la inhalación de estas sustancias o el contacto con la piel ► Utilice los EPIs diseñados para prevenir y protegerse de dichas incidencias.

DESCRIPCIÓN DEL PRODUCTO.

► La lijadora ha sido diseñada para realizar trabajos de pulir y lijar ► Observe este esquema para familiarizarse con la lijadora antes de utilizarla.



1. Interruptor.
2. Empuñadura.
3. Recolector polvo.
4. Plato soporte.
5. Selector velocidad.

INSTRUCCIONES DE USO.

► Antes de efectuar la puesta en marcha de la lijadora, es aconsejable leer completa y minuciosamente todas las instrucciones que se indican ► Asimismo, deberán tenerse en cuenta las normas para la prevención de accidentes, los reglamentos y directivas, las leyes y restricciones vigentes para los centros de trabajo ► La lijadora debe de ser utilizada únicamente por personas instruidas adecuadamente en su manejo y exclusivamente conforme a los fines previstos.

FUENTE DE ALIMENTACIÓN.

► Asegúrese de que la fuente de alimentación se ajusta a los requisitos especificados en la placa de datos de la lijadora (1) ► Hacer funcionar el motor

a bajo voltaje hará que éste opere lento ► Esto reducirá el rendimiento y puede causar que el motor se sobrecaliente.

CABLE DE PROLONGACIÓN.

► Cuando la zona de trabajo esté alejada de la fuente de alimentación, haga uso de un cable de prolongación de suficiente diámetro y calidad.

OPERACIÓN.

► Para encender la lijadora, presione el interruptor de encendido (2) ► Mueva la lijadora con desplazamientos de barrido amplios a lo largo de la superficie a lijar, dejando que la lijadora haga el trabajo (3) ► Empujar la lijadora hacia abajo disminuye la velocidad de eliminación y genera una superficie de menor calidad (4) ► Nunca trabaje con la lijadora inclinada, esto puede dañar la base y romper la lija (5) ► Verifique los resultados a menudo ► Esta lijadora puede eliminar material muy rápidamente, especialmente si utiliza papel grueso ► Para que el acabado sea el mejor posible, empiece con papel de lija grueso y cambie progresivamente a otros cada vez más finos ► Un lijado final con un pedazo de papel de lija bastante desgastado producirá un acabado profesional que en muchos casos no requerirá ser lijado a mano ► La velocidad a la cual se llena la bolsa de recogida de polvo variará de acuerdo al tipo de material a lijar y el grosor del papel de lija ► Para mejores resultados, vacíe la bolsa con frecuencia y revise la apertura para verificar que no haya nada atorado ► Al lijar superficies pintadas, puede suceder que el papel de lija se cargue y tape con la pintura ► Es mucho mejor usar una pistola térmica para eliminar la pintura antes de lijar ► Evite sobrecargar la lijadora ► Las sobrecargas resultarán en una velocidad y eficiencia considerablemente menores y la unidad se calentará ► En este caso, opere con la lijadora sin carga durante uno o dos minutos.

EXTRACCIÓN DE POLVO.

► La lijadora dispone de un recolector de polvo integrado.

PARA VACIAR EL RECOLECTOR DE POLVO.

► Mientras sujeta la lijadora, retire la tapa del recolector de la aspiradora ► Sacuda o golpee ligeramente el recolector de polvo para vaciarla

► Inserte de nuevo la tapa en el recolector ► La expulsión de polvo de lijado podría provocar un riesgo para la respiración.

PRECAUCIONES A TOMAR CUANDO LIJE PINTURA.

► El lijado de pinturas con base de plomo no se recomienda debido a la dificultad de control del polvo contaminado ► El envenenamiento por plomo es más peligroso para niños y mujeres embarazadas.

LIMPIEZA Y ELIMINACIÓN.

► Todas las superficies de la zona de trabajo deben de ser aspiradas y limpiadas en profundidad todos los días mientras dure el proyecto de lijado ► Las bolsas de filtrado de la aspiradora se deben cambiar con frecuencia.

FIJACIÓN DE LOS DISCOS DE LIJADO.

► Desconecte la lijadora de la red eléctrica antes de llevar a cabo cualquier ajuste o sustitución de accesorios ► Los discos de lijado se adhieren con velcro (6) ► Alinee el disco de lijado sobre el plato para que coincidan los límites de ambas partes ► Presione el disco de lija sobre la base hasta que quede perfectamente adherido.

SELECTOR DE VELOCIDAD.

► La lijadora está equipada con un selector de velocidad ► El ajuste de velocidad óptimo para cada aplicación depende en gran medida de la preferencia del usuario ► En general, es preferible un valor alto en materiales duros y un valor menor en los blandos ► La velocidad de eliminación del material aumenta con la velocidad de giro.

MANTENIMIENTO.

► La lijadora ha sido diseñada para funcionar durante mucho tiempo con un mínimo mantenimiento ► El funcionamiento óptimo depende del buen cuidado de la lijadora y de una limpieza frecuente ► Para evitar accidentes, desconecte siempre la lijadora de la fuente de alimentación antes de efectuar la limpieza o cualquier mantenimiento de la misma ► La lijadora debe limpiarse de manera eficaz utilizando aire comprimido al final de cada uso ► Utilice siempre gafas protectoras cuando trabaje con aire comprimido ► Si no puede utilizar aire comprimido,

retire el polvo de la lijadora sirviéndose de un cepillo ► Las ranuras de ventilación del motor y los interruptores deben estar siempre limpios y sin ninguna clase de residuo ► No intente limpiarlos introduciendo objetos puntiagudos a través de las aberturas ► Algunos productos de limpieza y disolventes dañan los componentes de plástico, entre los cuales se encuentran la gasolina, el tetraclorometano, los disolventes de limpieza clorados, el amoníaco y los productos de limpieza domésticos que contienen amoníaco ► No utilice ninguno de los productos mencionados para limpiar la lijadora ► En el caso de que se produzcan chispas de modo excesivo, haga que el servicio oficial de reparación Werku® le revise y/o reemplace las escobillas.

PROTECCIÓN DEL MEDIO AMBIENTE.

► Los materiales y componentes que han sido utilizados para fabricar este producto pueden ser reutilizados y reciclados ► Werku® está adherido a un Sistema Integrado de Gestión que se encarga de la correcta eliminación de los residuos de este producto ► No elimine este producto en la basura doméstica ► Werku® ofrece a sus clientes un servicio gratuito de retirada de dichos residuos en cualquiera de sus puntos de venta, en los puntos de recogida establecidos por el Sistema Integrado de Gestión o en los puntos limpios de su localidad.

GARANTÍA Y SERVICIO TÉCNICO.

► Además de la garantía legal, Werku® ofrece una garantía comercial adicional ► Esta garantía comercial cubre la reparación de los defectos que se aprecian debido a fallos en los materiales o en la fabricación ► Para ello es imprescindible que los defectos se produzcan dentro del periodo de validez ► El consumidor tiene derecho a la reparación gratuita de los defectos que Werku® reconoce como incluidos en la garantía comercial (gastos de envío, mano de obra y materiales incluidos), a elección de Werku®, bien mediante la reparación o mediante la sustitución (si es necesario por un modelo posterior) ► Esta garantía comercial no afecta los derechos del consumidor establecidos por ley según la Directiva 1999/44/CE ► El periodo de validez de esta garantía comercial es de 24 meses ► En caso de destinar el producto a un uso profesional o industrial, el periodo de validez es de 12 meses ► El periodo de validez

se inicia en la fecha de compra por el primer consumidor ▶ Esta fecha se refleja en la factura o ticket de compra ▶ La acción para reclamar el cumplimiento de esta garantía comercial prescribe a los seis meses desde la finalización del periodo de validez ▶ La reclamación en virtud de esta garantía comercial debe de presentarse al distribuidor o al Servicio de Asistencia Técnica ▶ Para ello es imprescindible presentar esta garantía debidamente cumplimentada y sellada por el distribuidor, junto con la factura o ticket de compra ▶ Para cualquier información referente a esta garantía comercial el comprador y/o el distribuidor puede ponerse en contacto con el Servicio de Asistencia Técnica a través del teléfono +34 981 648 119, o mediante correo electrónico a info@werku.com ▶ Quedan excluido de esta garantía comercial los defectos que han sido causados por piezas desgastadas por el uso u otro tipo de desgaste natural, los defectos que han sido causados por inobservancia o incumplimiento de las instrucciones de uso y funcionamiento, o de aplicaciones no conformes con el uso al que se destina este producto, o de factores medioambientales anormales, o de sobrecarga, de mantenimiento o limpieza inadecuados, defectos que han sido causados por el uso de accesorios, complementos o repuestos que no son piezas originales Werku®, si el producto ha sido total o parcialmente desmontado, modificado o reparado por personal ajeno al Servicio de Asistencia Técnica o las irregularidades mínimas e irrelevantes para el uso y funcionamiento adecuado ▶ Las reparaciones y sustituciones no prolongan ni renuevan el plazo de validez de esta garantía comercial ▶ Las piezas sustituidas pasan a ser propiedad de Werku® ▶ Si el comprador remite el producto al Servicio de Asistencia Técnica, no cumpliendo con las condiciones de esta garantía comercial, los gastos y riesgos del transporte corren a cargo del comprador ▶ Esta garantía comercial es válida dentro del territorio de la Unión Europea ▶ La empresa responsable del cumplimiento de esta garantía comercial Werku® es Rico-Yáñez SA.

ASESORAMIENTO TÉCNICO.

▶ Werku® pone a su disposición su departamento técnico para resolver cualquier duda que pueda surgir sobre sus productos ▶ En caso de que desee establecer contacto con nuestro equipo, remita un correo electrónico a la dirección info@werku.com.

CE KONFORMITÄTSERKLÄRUNG.

► Werku® erklärt dass die Schleifer in Übereinstimmung ist mit den europäischen Richtlinien und Normen 2006/42/CE, 2006/95/CE, 2004/108/CE, EN60745-1:2009+A11:2010, EN60745-2-4:2009+A11:2011, EN55014-1:2006, EN55014-2:1997+A1:2001+A:2008, EN61000-3-2:2006, EN61000-3-3:1995+A1:2001+A2:2005 und EN61000-3-3:2008.

La Coruña, 01/01/2015
R Yáñez
Werku Tools SA

TECHNISCHE DATEN.

► Spannung-Frequenz 230V~50Hz ► Leistung 710W ► Klasse II ► Schutzindex IP20
► Extraktionssystem ► Umdrehungen 3000-6300 min⁻¹ ► Scheibendurchmesser 150mm
► Umlaufdurchmesser 4mm ► Nettogewicht 2.7 kg
► Schalldruck LpA ≤85 dB(A) ► Mögliche Abweichung KpA 3.0 dB(A) ► Schalleistung LwA ≤96 dB(A)
► Mögliche Abweichung KwA 3.0 dB(A) ► Vibration Ah <5.93 m/s² ► Mögliche Abweichung Kh 1.5 m/s².

SICHERHEITSHINWEISE

► Lesen Sie alle Sicherheitshinweise und die gesamte Gebrauchsanleitung ► Die Nichteinhaltung aller im Folgenden aufgeführten Sicherheitshinweise und der Gebrauchsanleitung kann zum Elektroschock, Brand und/oder schweren Verletzungen führen ► Heben Sie alle Sicherheitshinweise und die gesamte Gebrauchsanleitung zum späteren Nachlesen auf ► Unfälle können häufig vermieden werden, wenn man sich im Voraus der Gefährlichkeit einer Situation bewusst ist und die angemessenen Sicherheitsverfahren hundertprozentig einhält ► Verwenden Sie diese Schleifer niemals zu anderen Zwecken, als zu den in dieser Anleitung aufgeführten.

EIN SICHERER ARBEITSPLATZ.

► Der Arbeitsplatz muss sauber und gut beleuchtet sein ► Unordentliche und dunkle Stellen verursachen Unfälle ► Verwenden Sie elektrisches Werkzeug niemals in einer explosionsfähigen Atmosphäre, wie in der Nähe von brennbaren Flüssigkeiten, Gasen und Stäuben ► Wenn Sie mit einem elektrisch gereedschap arbeiten, müssen Kinder und Neugierige fern bleiben ► Ablenkungen können dazu führen, dass Sie die Kontrolle über das Werkzeug verlieren.

PERSÖNLICHE SICHERHEIT.

► Seien Sie aufmerksam, achten Sie auf das, was Sie gerade tun und setzen Sie Ihren gesunden Menschenverstand ein, wenn Sie mit einem elektrisch gereedschap arbeiten ► Verwenden Sie kein elektrisches Werkzeug, wenn Sie müde sind oder unter dem Einfluss von Drogen, Alkohol oder Medikamenten stehen ► Ein Augenblick, in dem Sie abgelenkt sind, während Sie mit einem elektrisch gereedschap arbeiten, kann zu schweren Personenschäden führen.

PSA VERWENDEN.

► Tragen Sie eine Schutzbrille gemäß der Norm EN166 ► Tragen Sie eine Schutzmaske gemäß der Norm EN149 ► Falls die Art der Arbeit, die Sie ausführen, dies erforderlich macht, verwenden Sie eine angemessene PSA.

NICHT AUF ZEHENSPITZEN STEHEND ARBEITEN.

► Stehen Sie mit den Füßen fest auf dem Boden und achten Sie darauf, das Gleichgewicht nicht zu verlieren ► So kontrollieren Sie in unvorhergesehenen Situationen das elektrische Werkzeug besser.

ANGEMESSENE KLEIDUNG.

► Tragen Sie weder lockere Kleidung noch Schmuck ► Halten Sie Haare, Kleidung und Handschuhe von beweglichen Teilen fern ► Lockere Kleidung, Schmuck und lange Haare können von den beweglichen Teilen eingeklemmt werden ► Falls Anschlüsse für Entstaubungsvorrichtungen vorhanden sind, gewährleisten Sie, dass diese korrekt angeschlossen sind und richtig verwendet werden ► Die Verwendung dieser Geräte kann Risiken im Zusammenhang mit Staub verringern.

ELEKTRISCHE SICHERHEIT.

► Der Gerätestecker muss für die vorgesehenen Steckdose geeignet sein ► Nehmen Sie keine Veränderungen am Stecker vor ► Verwenden Sie keinen Steckeradapter in Verbindung mit geerdeten Elektrowerkzeugen ► Originale Stecker und geeignete Steckdosen verhindern die Stromschlaggefahr ► Vermeiden Sie jeden Körperkontakt mit geerdeten Flächen (z.B. Rohre, Heizkörper, Herde oder Kühlschränke) ► Es besteht erhöhte Stromschlaggefahr, wenn ihr Körper geerdet ist ► Setzen Sie

Elektrowerkzeuge weder Regen noch Feuchtigkeit aus ► Eindringendes Wasser erhöht die Stromschlaggefahr.

KEIN KABELMISSBRAUCH.

- Benutzen Sie das Kabel nie, um das Elektrowerkzeug zu tragen, zu ziehen oder von der Steckdose abzutrennen
- Halten Sie das Kabel fern von Hitze, Öl, scharfen Kanten oder beweglichen Teilen
- Beschädigte oder verwickelte Kabel bergen ein erhöhtes Stromschlagrisiko ► Falls Sie ein Elektrowerkzeug im Freien benutzen, müssen Sie ein entsprechend geeignetes Verlängerungskabel verwenden ► Bei Verwendung eines für Außeneinsätze geeigneten Verlängerungskabels besteht eine geringere Stromschlaggefahr ► Sollte der Einsatz eines Werkzeugs in einer feuchten Umgebung unvermeidlich sein, verwenden Sie eine Fehlerstromschutzeinrichtung ► Eine solche Schutzeinrichtung senkt die Stromschlaggefahr.

VERMEIDEN SIE EINEN VERSEHENTLICHEN START.

- Achten Sie darauf, dass sich der Schalter in der Aus-Stellung befindet, bevor Sie das Gerät an die Stromversorgung anschließen oder es hochheben oder tragen ► Es besteht Verletzungsgefahr, wenn Elektrowerkzeuge mit dem Finger am Startschalter getragen oder im eingeschalteten Zustand an der Stromversorgung angeschlossen werden ► Entfernen Sie Justier- oder Schraubenschlüssel, bevor Sie das Elektrowerkzeug einschalten ► Es besteht Verletzungsgefahr, wenn ein Einstell- oder Schraubenschlüssel an einem sich drehenden Teil des Elektrowerkzeugs verbleibt.

BENUTZUNG UND PFLEGEN VON ELEKTROWERKZEUGEN.

- Wenden Sie bei der Benutzung des Elektrowerkzeugs keine Gewalt an
- Verwenden Sie ein für den jeweiligen Zweck geeignetes Elektrowerkzeug ► Ein geeignetes Elektrowerkzeug verrichtet die Arbeit besser und sicherer ► Benutzen Sie das Elektrowerkzeug nicht, wenn es sich mit dem Schalter nicht ein- und ausschalten lässt. ► Ein Elektrowerkzeug, das sich nicht mehr mit dem Schalter kontrollieren lässt, ist gefährlich und muss repariert werden
- Ziehen Sie den Netzstecker und/oder entfernen

Sie den Netzakku, bevor Sie Einstellungen vornehmen, Zubehör wechseln oder das Gerät lagern ► Solche Vorsichtsmaßnahmen verringern das Risiko eines versehentlichen Gerätstarts.

AUFBEWAHRUNG VON WERKZEUG MIT DRUCKLUFT.

- Bewahren Sie die abgeschaltete Schleifer außerhalb der Reichweite von Kindern und Personen, die mit elektrisch gereedschapen und dieser Gebrauchsanleitung nicht vertraut sind, auf ► Elektrisches Werkzeug sind in den Händen ungeübter Benutzer gefährlich.

WARTUNG.

- Stellen Sie sicher, dass die beweglichen Teile nicht falsch ausgerichtet oder verklemmt sind, dass es keine defekten Teile oder andere Bedingungen gibt, die das Funktionieren elektrisches Werkzeug beeinträchtigen könnten ► Wenn ein elektrisches Werkzeug beschädigt ist, muss es vor seiner Verwendung repariert werden ► Viele Unfälle werden von schlecht gewarteten elektrisch gereedschapen verursacht ► Benutzen Sie das elektrische Werkzeug sowie dessen Zubehör gemäß dieser Gebrauchsanleitung und so, wie es für den jeweiligen Werkzeugtyp vorgesehen ist. Berücksichtigen Sie die Arbeitsbedingungen und die Art der auszuführenden Arbeit ► Eine zweckfremde Verwendung des elektrisches Werkzeug kann gefährlich sein ► Lassen Sie Ihr elektrisches Werkzeug von einem qualifizierten Reparaturdienst von Werku® überprüfen und verwenden Sie nur Originalersatzteile ► Das garantiert eine dauerhafte Sicherheit Ihres elektrisches Werkzeug.

ÜBERWACHUNG DES ZUSTANDS DER SCHLEIFER.

- Prüfen Sie, ob alle Schrauben der Schleifer fest angezogen sind ► Bei kaltem Wetter oder wenn die Schleifer längere Zeit nicht benutzt worden ist, erwärmen Sie die Schleifer eine Weile, indem Sie sie einige Minuten lang leer laufen lassen. Das verbessert die Schmierung der internen Bauteile
- Gewährleisten Sie, dass möglicherweise montiertes Zubehör fest an seiner Stelle sitzt.

VOR ARBEITSBEGINN.

- Vor Verwendung der Schleifer stellen Sie sicher, dass diese fest aufliegt ► Achten Sie darauf, dass

sich niemand unterhalb des Einflussbereiches der Schleifer befindet, wenn Sie in der Höhe arbeiten
▶ Halten Sie die Hände fern von den beweglichen Teilen der Schleifer.

BEI BETRIEB.

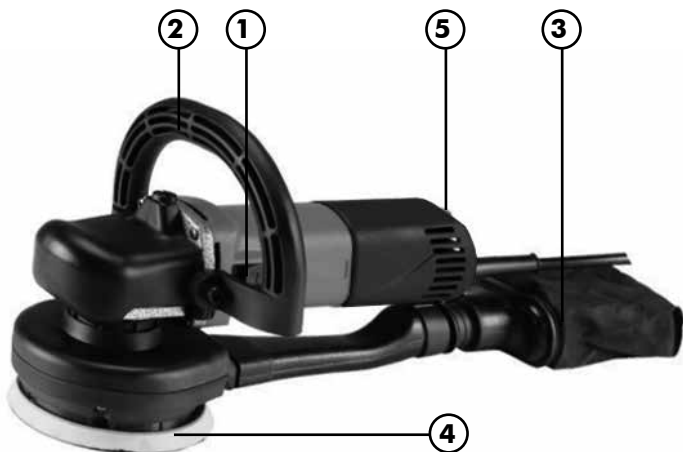
▶ Wenn die Schleifer nicht fest in den Händen liegt, lassen Sie sie ausgeschaltet ▶ Nehmen Sie sie nur in Betrieb, wenn Sie sich sicher sind, dass Sie sie vollständig unter Kontrolle haben ▶ Zielen Sie auf niemanden mit eingeschalteter Schleifer
▶ Beim Arbeiten kann die Schleifer vibrieren ▶ Die Schrauben können sich nach und nach lösen und eine Störung oder einen Unfall verursachen
▶ Halten Sie die Hände von den beweglichen Teilen der Schleifer fern.

NACH ARBEITSENDE.

▶ Berühren Sie nach Gebrauch nicht das an der Schleifer angebrachte Zubehör ▶ Es kann sehr heiß sein und Verbrennungen verursachen
▶ Einige Materialien, mit denen gearbeitet wird, können toxische chemische Substanzen enthalten
▶ Seien Sie vorsichtig und vermeiden Sie das Einatmen dieser Substanzen und den Hautkontakt damit ▶ Verwenden Sie die PSA, um sich vor solchen Zwischenfällen zu schützen und diese zu vermeiden.

PRODUKTBESCHREIBUNG.

▶ Die Schleifer wurde zur Durchführung von Polier- und Schleifarbeiten entworfen ▶ Beachten Sie dieses Schema, um sich mit der Schleifer vor ihrer Verwendung vertraut zu machen.



1. Schalter.
2. Griff.
3. Entstaubungsvorrichtung.
4. Halteteller.
5. Geschwindigkeitsregler

BEDIENUNGSANLEITUNG.

▶ Bevor Sie die Schleifer einschalten, sollten Sie alle angegebenen Anweisungen vollständig und gründlich durchlesen ▶ Ebenso sollten Unfallverhütungsvorschriften, Regeln und Richtlinien sowie die für die Betriebe geltenden Gesetze und Einschränkungen berücksichtigt werden ▶ Die Schleifer darf nur von in ihrer Bedienung angemessen geschulten Personen und ausschließlich zu den vorgesehenen Zwecken verwendet werden.

STROMVERSORGUNG.

▶ Achten Sie darauf, dass die Stromversorgung den auf dem Typenschild der Schleifer angegebenen Anforderungen entspricht (1) ▶ Das Laufenlassen des Motors mit Unterspannung bewirkt, dass er langsam arbeitet ▶ Dies verringert die Leistung und kann zur Überhitzung des Motors führen.

VERLÄNGERUNGSKABEL.

▶ Wenn der Arbeitsbereich von der Stromversorgung entfernt liegt, verwenden Sie ein Verlängerungskabel von ausreichendem Durchmesser und Qualität.

BETRIEB.

▶ Drücken Sie den EIN-Schalter zum Einschalten der Schleifmaschine (2) ▶ Bewegen Sie die Schleifmaschine mit leichten, weiten Schwingbewegungen über die zu schleifende Fläche und lassen Sie die Schleifmaschine die Arbeit machen (3) ▶ Wenn Sie zu starken Druck auf die Schleifmaschine ausüben, wird die Schleifgeschwindigkeit und -qualität vermindert (4) ▶ Arbeiten Sie niemals mit schräg gestellter Schleifmaschine, da dies die Auflage und das Schleifpapier beschädigen könnte (5) ▶ Überprüfen Sie Ihre Arbeitsergebnisse regelmäßig ▶ Diese Schleifmaschine trägt das Material schnell ab, insbesondere wenn grobes Schleifpapier verwendet wird ▶ Für ein optimales Schleifergebnis beginnen Sie mit grobem Schleifpapier und ersetzen Sie dieses nach und nach durch feineres ▶ Wenn Sie beim letzten Schleifgang stark abgenutztes Schleifpapier verwenden, erzielen Sie ein professionelles Finish und manuelles Schleifen ist nur selten erforderlich ▶ Wie schnell sich der Staubfangbeutel füllt, hängt von der Art des zu schleifenden Materials und der Stärke des

Schleifpapiers ab ▶ Für optimale Ergebnisse leeren Sie den Beutel regelmäßig und prüfen Sie, dass nichts in der Öffnung stecken geblieben ist ▶ Wenn gestrichene oder lackierte Flächen geschliffen werden, kann es vorkommen, dass das Schleifpapier verstopft und die Maschine überlastet wird ▶ Vor dem Schleifen sollte die Farbe deshalb mit einer Wärmepistole entfernt werden ▶ Vermeiden Sie eine Überlastung der Schleifmaschine ▶ Überlastungen vermindern Schleifgeschwindigkeit und Leistung erheblich und das Gerät erwärmt sich ▶ Lassen Sie die Maschine in diesem Fall einige Minuten lang leer laufen.

ENTSTAUBUNG.

▶ Die Schleifmaschine ist mit einer integrierten Entstaubungsvorrichtung ausgestattet.

ENTLEEREN DER ENTSTAUBUNGSVORRICHTUNG.

▶ Halten Sie die Schleifmaschine fest und entfernen Sie den Deckel der Entstaubungsvorrichtung des Staubsaugers ▶ Zum Entleeren schütteln Sie die Entstaubungsvorrichtung leicht und klopfen Sie sie aus ▶ Setzen Sie den Deckel wieder auf die Entstaubungsvorrichtung ▶ Das Austreten von Staub aus der Schleifmaschine kann zu Atembeschwerden führen.

ZU ERGREIFENDE VORSICHTSMASSNAHMEN BEIM SCHLEIFEN VON FARBEN.

▶ Das Abschleifen bleihaltiger Farben ist nicht empfehlenswert, da der kontaminierte Staub nur schwer zu kontrollieren ist ▶ Eine Bleivergiftung ist für Kinder und Schwangere besonders gefährlich.

REINIGUNG UND ENTFERNUNG VON STAUB.

▶ Alle Oberflächen im Arbeitsbereich müssen während der Dauer des Schleifprojekts täglich abgesaugt und gründlich gereinigt werden ▶ Die Filtertüten des Staubsaugers müssen regelmäßig ausgewechselt werden.

ANBRINGEN DER SCHLEIFSCHEIBEN.

▶ Bevor Sie Einstellungen an dem Gerät vornehmen oder Zubehör auswechseln, trennen

Sie das Gerät von der Stromversorgung ▶ Die Schleifscheiben werden mit einem Klettband befestigt (6) ▶ Legen Sie die Schleifscheibe so auf den Schleifteller, dass die Ränder an allen Seiten übereinstimmen ▶ Drücken Sie die Schleifscheibe gegen die Auflage, bis diese fest sitzt.

GESCHWINDIGKEITSREGLER.

▶ Die Schleifmaschine ist mit einem Geschwindigkeitsregler ausgestattet ▶ Die gewählte Geschwindigkeit bei den einzelnen Anwendungen hängt in erster Linie von den persönlichen Vorlieben des Benutzers ab ▶ Im Allgemeinen sollte bei der Bearbeitung harter Materialien eine hohe Geschwindigkeit und bei weichen Materialien eine niedrige Geschwindigkeit gewählt werden ▶ Je höher die Drehgeschwindigkeit, desto schneller wird das Material abgetragen.

WARTUNG.

▶ Die Schleifer wurde entworfen, um mit minimaler Wartung lange Zeit zu funktionieren ▶ Das optimale Funktionieren hängt von guter Pflege der Schleifer und häufiger Reinigung ab ▶ Um Unfälle zu vermeiden, müssen Sie die Schleifer immer von der Steckdose trennen, bevor Sie sie reinigen oder warten ▶ Die Schleifer muss nach jedem Gebrauch wirksam mit Pressluft gereinigt werden ▶ Verwenden Sie immer eine Schutzbrille, wenn Sie mit Pressluft arbeiten ▶ Wenn Sie keine Pressluft verwenden, entfernen Sie den Staub der Schleifer mit Hilfe einer Bürste ▶ Die Lüftungsschlitze des Motors und die Schalter müssen immer sauber und ohne jegliche Art von Rückständen sein ▶ Versuchen Sie nicht, sie durch Einführen spitzer Gegenstände in die Öffnungen zu reinigen ▶ Einige Reinigungs- und Lösungsmittel wie Benzin, Tetrachlormethan, chlorierte lösemittelbasierte Reiniger, Ammoniak und ammoniakhaltige Haushaltsreiniger beschädigen die Kunststoffteile ▶ Verwenden Sie keines der genannten Produkte zum Reinigen der Schleifer ▶ Wenn es zu starkem Funkenschlag kommt, veranlassen Sie eine Überprüfung und/oder einen Austausch der Bürsten durch den offiziellen Reparaturservice Werku®.

UMWELTSCHUTZ.

► Die Materialien und Bauteile, die für die Herstellung dieses Produkts verwendet wurden, können recycelt und wiederverwertet werden
► Werku® arbeitet mit einem Integrierten Abfallbewirtschaftungssystem, das die korrekte Entsorgung der Rückstände dieses Produkts abwickelt
► Werfen Sie dieses Produkt nicht in den Haushaltsmüll
► Werku® bietet seinen Kunden einen kostenlosen Service, um diese Rückstände von einer der Verkaufsstellen, den vom Integrierten Abfallbewirtschaftungssystem eingerichteten Sammelstellen oder den Abfallsammelstellen Ihrer Gemeinde abzuholen.

GARANTIE UND KUNDENSERVICE.

► Neben der gesetzlichen Garantie räumt Werku® Ihnen zusätzlich eine kommerzielle Garantie ein
► Die kommerzielle Garantie umfasst die Reparatur von Mängeln aufgrund von Material- oder Fabrikationsfehlern
► Damit diese Garantie gewährleistet wird, müssen diese Mängel innerhalb des Gültigkeitszeitraums auftreten
► Der Verbraucher hat das Recht auf kostenlose Reparatur von Mängeln, die von Werku® als in der kommerziellen Garantie eingeschlossen anerkannt werden (einschl. Versand-, Verarbeitungs- oder Materialkosten); nach Wahl von Werku® entweder durch Reparatur oder durch Ersatz (falls erforderlich, durch ein späteres Modell)
► Diese kommerzielle Garantie betrifft nicht die in der EU-Richtlinie 1999/44/EG festgelegten Verbraucherrechte
► Der Gültigkeitszeitraum dieser kommerziellen Garantie beträgt 24 Monate
► Falls das Produkt für den gewerblichen oder industriellen Gebrauch bestimmt ist, beträgt der Gültigkeitszeitraum 12 Monate
► Der Gültigkeitszeitraum beginnt ab dem Datum des Kaufes durch den erstmaligen Verbraucher
► Dieses Datum ist auf der Rechnung oder dem Kaufbeleg enthalten
► Die Zeit für Gewährleistungsansprüche im Hinblick auf die Erfüllung dieser kommerziellen Garantie ist auf sechs Monate ab Ende des Gültigkeitszeitraums festgelegt
► Eine Reklamation im Zusammenhang mit dieser kommerziellen Garantie muss dem Händler oder Kundenservice vorgelegt werden
► Hierzu muss diese Garantie ordnungsgemäß ausgefüllt, vom Händler gestempelt und zusammen mit der Rechnung oder dem Kaufbeleg vorgelegt

werden
► Für weitere Informationen zu dieser kommerziellen Garantie können sich der Käufer oder der Händler telefonisch über +34 981 648 119 oder über E-Mail an info@werku.com mit dem Kundenservice in Verbindung setzen
► Ausgenommen von dieser kommerziellen Garantie sind Mängel, die infolge von verschlissenen Teilen durch den Gebrauch oder eine andere Art von natürlichem Verschleiß verursacht wurden, Mängel aufgrund von Unaufmerksamkeit oder Nichtbefolgung der Bedienungsanleitung und unsachgemäßem Betrieb, eine Benutzung, die nicht dem Gebrauch entspricht, für den das Produkt bestimmt ist, ungewöhnliche Umweltfaktoren, Überlastung, unangemessene Wartung oder Reinigung, Mängel aufgrund der Verwendung von Zubehör, Ergänzungen oder Ersatzteilen, die keine Originalteile von Werku® sind, wenn das Produkt durch Personal, das nicht zum Kundenservice gehört, ganz oder teilweise auseinander montiert, verändert oder repariert wurde oder kleine und für den Gebrauch und ordnungsgemäßen Betrieb unwesentliche Unregelmäßigkeiten
► Durch Reparaturen und Ersatz wird der Gültigkeitszeitraum für diese kommerzielle Garantie weder verlängert noch neu festgelegt
► Ersetzte Teile gehen in das Eigentum von Werku® über
► Wenn der Käufer das Produkt an den Kundenservice zurückgibt und dabei nicht die Bedingungen dieser kommerziellen Garantie erfüllt, gehen die Kosten und Gefahren zu Lasten des Käufers
► Diese kommerzielle Garantie gilt auf dem Gebiet der Europäischen Union
► Das für die Erfüllung der kommerziellen Garantie verantwortliche Unternehmen Werku® ist Rico-Yáñez SA.

TECHNISCHE BERATUNG.

► Werku® stellt Ihnen seine technische Abteilung zur Verfügung, damit Sie alle Fragen, die zu unseren Produkten auftreten könnten, klären können
► Wenn Sie sich mit unserem Team in Verbindung setzen möchten, senden Sie eine E-Mail an folgende Adresse: info@werku.com.

DÉCLARATION DE CONFORMITÉ CE.

► Werku® déclare que le ponceuse est en conformité avec les directives et normes européennes 2006/42/CE, 2006/95/CE, 2004/108/CE, EN60745-1:2009+A11:2010, EN60745-2-4:2009+A11:2011, EN55014-1:2006, EN55014-2:1997+A1:2001+A:2008, EN61000-3-2:2006, EN61000-3-3:1995+A1:2001+A2:2005 et EN61000-3-3:2008.

La Coruña, 01/01/2015

R Yáñez

Werku Tools SA

CARACTÉRISTIQUES TECHNIQUES.

► Voltage-fréquence 230V~50Hz ► Puissance 710W ► Classe II ► Indice de protection IP20
► Système d'extraction ► Révolutions 3000-6300 min⁻¹ ► Diamètre disque 150mm ► Diamètre orbite 4mm ► Poids net 2.7 kg ► Pression acoustique LpA ≤85 dB(A) ► Possible variation kPa 3.0 dB(A) ► Pression acoustique LwA ≤96 dB(A) ► Possible variation KwA 3.0 dB(A) ► Vibration Ah <5.93 m/s² ► Possible variation Kh 1.5 m/s².

CONSIGNES DE SÉCURITÉ.

► Veuillez lire toutes les consignes de sécurité et tous les avertissements ► Le non respect de l'ensemble des avertissements et des consignes figurant ci-dessous peut être la cause d'un choc électrique, d'un incendie et/ou de blessures graves
► Conservez tous les avertissements et toutes les consignes pour vous y référer ultérieurement ► Les accidents peuvent dans de nombreux cas être évités en identifiant les situations dangereuses avant qu'un accident ne se produise et en respectant fidèlement les procédures de sécurité adéquates ► N'utilisez jamais ce ponceuse dans les cas non spécifiés dans ce manuel.

SÉCURITÉ DE LA ZONE DE TRAVAIL.

► Conservez la zone de travail rangée et bien éclairée ► Les zones mal rangées et mal éclairées sont sources d'accidents ► Ne manipulez pas d'outils électriques dans des environnements explosifs comme en présence de liquides, de gaz ou de poussières inflammables ► Maintenez les enfants et les curieux éloignés pendant que vous manipulez un outil électrique ► Les distractions peuvent être sources d'une perte de contrôle.

SÉCURITÉ PERSONNELLE.

► Soyez vigilant et attentif à ce que vous faites et faites appel à votre bon sens quand vous manipulez un outil électrique ► N'utilisez pas d'outil électrique si vous êtes fatigué ou sous l'influence de drogues, d'alcool ou de médicaments ► Un moment de distraction pendant que vous manipulez des outils électriques peut vous causer de graves blessures corporelles.

UTILISEZ DES EPI.

► Utilisez des lunettes de protection conformes à EN166 ► Utilisez un masque de protection conforme à EN149 ► Si le type de travail à effectuer le requiert, utilisez d'autres équipements de protection individuelle.

NE TRAVAILLEZ PAS SUR LA POINTE DES PIEDS.

► Maintenez vos pieds bien à plat sur le sol et conservez votre équilibre à tout moment
► Cela vous permettra de mieux contrôler l'outil électrique en cas d'imprévu.

HABILLEZ-VOUS EN CONSÉQUENCE.

► Ne portez pas de vêtements flottants ou des bijoux ► Éloignez vos cheveux, vos vêtements et vos gants des pièces en mouvement ► Les vêtements flottants, les bijoux ou les cheveux longs peuvent être pris dans les pièces en mouvement ► S'il existe des dispositifs pour la connexion de moyens d'extraction et de ramassage de la poussière, assurez-vous qu'ils soient branchés et qu'ils fonctionnent correctement ► L'utilisation de ces dispositifs peut réduire les risques liés à la poussière.

SÉCURITÉ ÉLECTRIQUE.

► La prise mâle de l'outil électrique doit être adaptée au socle de la prise de courant ► Ne jamais modifier la prise mâle de quelque manière que ce soit ► Ne pas utiliser d'adaptateurs de prises avec des outils électriques mis à la terre ► Des prises non modifiées et des socles adaptés permettront de réduire le risque d'électrocution ► Évitez le contact du corps avec des surfaces mises à la terre telles que des tuyaux, des radiateurs, des cuisinières électriques et des réfrigérateurs ► Il existe un risque accru d'électrocution si votre corps est en contact avec

le sol ► Ne pas exposer les outils électriques à la pluie ou à des conditions d'humidité ► L'entrée d'eau dans un outil électrique augmente le risque d'électrocution.

N'ABUSEZ PAS DU CÂBLE.

► Ne jamais utiliser le câble de branchement pour soulever, porter ou débrancher l'outil électrique
► Maintenez le câble éloigné de la chaleur, de l'huile, des objets et bords tranchants ou des pièces en mouvement ► Les câbles endommagés ou emmêlés augmentent le risque d'électrocution
► Lorsque vous manipulez un outil électrique à l'extérieur, utilisez une rallonge adaptée à une utilisation en extérieur ► L'utilisation d'une rallonge adaptée à un usage en extérieur réduit le risque d'électrocution ► Si l'utilisation d'un outil électrique dans un endroit humide est inévitable, utilisez une alimentation protégée par un dispositif de courant résiduel (RCD) ► L'utilisation d'un RCD réduit le risque d'électrocution.

ÉVITEZ UN DÉMARRAGE ACCIDENTEL.

► Assurez-vous que l'interrupteur est en position « off » avant de le brancher au réseau ou avant de prendre ou de transporter l'outil ► Transporter des outils électriques en ayant le doigt sur l'interrupteur ou brancher un outil électrique dont le bouton est en position « on » augmente le risque d'accidents ► Retirez les clés ou les outils avant de démarrer une machine électrique ► Une clé ou un outil restés attachés à une pièce rotative d'une machine électrique peut entraîner des blessures corporelles.

UTILISATION ET ENTRETIEN DES OUTILS ÉLECTRIQUES.

► Ne forcez pas sur l'outil électrique ► Utilisez l'outil électrique approprié à la tâche à effectuer ► Utiliser un outil électrique adapté garantit un meilleur travail et l'utiliser au rythme pour lequel il a été conçu constitue une garantie de sécurité ► N'utilisez pas l'outil électrique si le bouton ne peut pas être positionné sur « off » et « on » ► Toute machine électrique est dangereuse si elle ne peut pas être maîtrisée par un bouton d'arrêt. Dans ce cas, elle doit être réparée ► Débranchez la prise de la source d'alimentation et/ou de la batterie avant tout réglage, changement d'accessoires ou stockage de l'outil électrique.

► Adopter ces mesures préventives de sécurité réduit le risque de démarrer l'outil de manière accidentelle.

STOCKEZ LES Outils électriques.

► Rangez les outils électriques inutilisés hors de portée des enfants et n'autorisez pas leur maniement par des personnes non familiarisées avec ce type d'outils ou méconnaissant les consignes de sécurité ► Les outils électriques sont dangereux entre les mains d'utilisateurs non avertis.

ENTRETIEN.

► Vérifiez que les parties mobiles ne sont pas désalignées ou entravées, qu'il n'y a pas de pièces cassées ou d'autres conditions qui peuvent affecter le fonctionnement des outils électriques ► Les outils électriques doivent être réparés avant leur utilisation quand ils sont endommagés ► De nombreux accidents sont causés par des outils électriques mal entretenus ► Utilisez ces outils électriques et leurs accessoires en respectant ces instructions et le mode d'utilisation prévu pour chaque type d'outils électriques, en tenant compte des conditions de travail et de la tâche à effectuer ► L'utilisation de l'outil électrique à des fins autres que celles spécifiées pourrait provoquer une situation de danger ► Faites réviser vos outils électriques par un service officiel de réparation Werku® en utilisant uniquement des pièces de rechange identiques ► C'est une garantie de sécurité pour votre outil.

VÉRIFIEZ LE BON ÉTAT DE VOTRE Ponceuse.

► Vérifiez que toutes les vis du ponceuse sont parfaitement bien serrées ► Sous des climats froids ou quand le ponceuse n'a pas été utilisé depuis longtemps, laissez le ponceuse se réchauffer un peu en le faisant fonctionner à vide pendant quelques minutes afin de permettre une parfaite lubrification de ses composants internes ► Assurez-vous que les possibles accessoires installés sont bien à leur place.

AVANT DE COMMENCER À TRAVAILLER.

► Avant d'utiliser le ponceuse, assurez-vous qu'il est fermement calé ► Vérifiez que personne ne se trouve dans la zone d'action du ponceuse quand vous effectuez des travaux dans des zones en hauteur ► Éloignez vos mains des parties du ponceuse en mouvement.

PENDANT LE FONCTIONNEMENT.

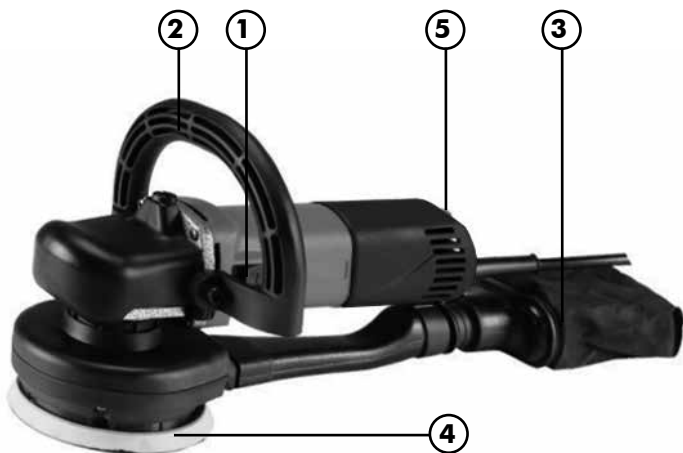
- ▶ Ne faites pas fonctionner le ponceuse s'il n'est pas bien maintenu
- ▶ Faites-le fonctionner quand vous êtes sûr de le contrôler totalement
- ▶ Ne le dirigez pas vers quelqu'un pendant son fonctionnement
- ▶ Pendant l'opération, le ponceuse peut produire des vibrations
- ▶ Les vis peuvent se dévisser petit à petit, ce qui peut provoquer une panne ou un accident
- ▶ Éloignez vos mains des parties du ponceuse en mouvement.

À LA FIN DE VOTRE TRAVAIL.

- ▶ Ne touchez pas les accessoires installés sur le ponceuse après son utilisation
- ▶ Ils peuvent être très chauds et causer des brûlures
- ▶ Certains matériaux sur lesquels vous travaillez peuvent contenir des substances chimiques ou des composants toxiques
- ▶ Soyez attentif à ne pas inhaler ces substances et à ce que votre peau ne soit pas en contact avec
- ▶ Utilisez les EPI conçus pour prévenir et vous protéger de ce type d'accidents.

DESCRIPTION DU PRODUIT.

- ▶ Cette ponceuse a été conçue pour réaliser des travaux de polissage et de ponçage
- ▶ Observez ce schéma pour vous familiariser avec la ponceuse avant de l'utiliser.



1. Bouton interrupteur.
2. Poignée.
3. Collecteur poussière.
4. Plaque support.
5. Sélecteur vitesse.

NOTICE D'UTILISATION.

- ▶ Avant de démarrer la ponceuse, il est recommandé de lire complètement et minutieusement toutes les instructions ci-dessous
- ▶ Vous devrez également tenir compte des normes de prévention des accidents, des règlements et des directives ainsi que des lois et restrictions en vigueur pour les centres de travail
- ▶ La ponceuse doit être utilisée uniquement par des personnes adéquatement formées à son maniement et respectant exclusivement les applications ici prévues.

SOURCE D'ALIMENTATION.

- ▶ Assurez-vous que la source d'alimentation est adaptée aux conditions spécifiées sur la plaque d'informations de la ponceuse (1)
- ▶ Si vous utilisez un faible voltage, le moteur fonctionnera lentement
- ▶ Ce qui réduira le rendement et pourra provoquer une surchauffe du moteur.

RALLONGE.

- ▶ Si la zone de travail est éloignée de la source d'alimentation, utilisez une rallonge d'un diamètre et d'une qualité suffisants.

FONCTIONNEMENT.

- ▶ Pour allumer la ponceuse, appuyez sur le bouton d'allumage (2)
- ▶ Déplacez la ponceuse avec des mouvements de balayage larges sur toute la surface à poncer tout en laissant la machine faire le reste du travail (3)
- ▶ Appuyer sur la ponceuse diminue la vitesse d'élimination et produit un résultat de moins bonne qualité (4)
- ▶ Ne travaillez jamais en penchant la ponceuse, cela peut endommager la base et provoquer la rupture du papier de verre (5)
- ▶ Vérifiez régulièrement le résultat obtenu
- ▶ Cette ponceuse peut éliminer beaucoup de matériau rapidement, surtout si vous utilisez un papier de verre au grain épais
- ▶ Pour que le résultat soit le plus abouti possible, commencez avec un papier de verre au grain épais et changez progressivement pour d'autres papiers plus fins
- ▶ Un ponçage final effectué avec un papier de verre assez usé produira un résultat professionnel qui, dans de nombreux cas, ne requerra pas de ponçage à la main
- ▶ La vitesse de remplissage du sac de collecte de poussière variera suivant le type de matériau à poncer

et la grosseur du papier de verre ► Pour de meilleurs résultats, videz régulièrement le sac et vérifiez que rien ne soit obstrué ► Si vous poncez des surfaces peintes, le papier de verre peut se remplir de peinture ► Il est conseillé d'utiliser un décapeur thermique pour éliminer la peinture avant de poncer ► Évitez de surcharger la ponceuse ► Les surcharges réduiront considérablement la vitesse et l'efficacité du travail et l'unité se mettra à chauffer ► Si c'est le cas, faites fonctionner la ponceuse sans charge pendant une ou deux minutes.

EXTRACTION DE LA POUSSIÈRE.

► La ponceuse dispose d'un collecteur de poussière intégré.

POUR VIDER LE COLLECTEUR DE POUSSIÈRE.

► En maintenant fermement la ponceuse, retirez le couvercle du collecteur de l'aspirateur ► Secouez-le ou tapez-le légèrement pour le vider ► Insérez à nouveau le couvercle dans le collecteur ► L'expulsion de la poussière issue du ponçage constitue un risque si elle est respirée.

PRÉCAUTIONS À PRENDRE QUAND VOUS PONCEZ DE LA PEINTURE.

► Le ponçage des peintures à base de plomb est déconseillé étant donné les difficultés à contrôler la poussière produite ► L'empoisonnement par le plomb est plus dangereux pour les enfants et les femmes enceintes.

NETTOYAGE ET ÉLIMINATION.

► Toutes les surfaces de la zone de travail doivent être aspirées et nettoyées en profondeur tous les jours tant que dure le ponçage ► Les sacs de filtrage de l'aspirateur doivent être remplacés régulièrement.

FIXATION DES DISQUES DE PAPIER DE VERRE.

► Débranchez la ponceuse du réseau électrique avant d'effectuer un réglage ou un remplacement d'accessoires ► Les disques de papier de verre adhèrent avec du velcro (6) ► Alignez le disque de papier de verre sur la plaque de la ponceuse et faites coïncider les extrémités des deux parties ► Pressez le disque de papier de verre sur la base jusqu'à ce qu'il adhère parfaitement.

SÉLECTEUR DE VITESSE.

► La ponceuse est équipée d'un sélecteur de vitesse ► Le réglage de la vitesse idéale à chaque application dépend dans une large mesure de la préférence de l'utilisateur ► En général, une vitesse élevée est préférable pour les matériaux durs tandis qu'une valeur plus basse est préférable pour les matériaux plus tendres ► La vitesse d'élimination du matériau augmente avec la vitesse de rotation.

ENTRETIEN.

► La ponceuse a été conçue pour fonctionner longtemps avec un minimum d'entretien ► Le fonctionnement optimal de la ponceuse dépend des soins qui lui sont apportés et d'un nettoyage fréquent ► Pour éviter des accidents, débranchez toujours la ponceuse de sa source d'alimentation avant de la nettoyer ou de l'entretenir ► La ponceuse doit toujours être nettoyée de manière efficace en utilisant de l'air comprimé à la fin de chaque utilisation ► Utilisez toujours des lunettes de protection quand vous travaillez avec de l'air comprimé ► Si vous ne pouvez pas utiliser d'air comprimé, retirez la poussière de la ponceuse à l'aide d'une brosse ► Les fentes de ventilation du moteur et les interrupteurs doivent être toujours propres et dépourvus de tout résidu ► N'essayez pas de les nettoyer en introduisant des objets pointus par les ouvertures ► Certains produits de nettoyage et certains solvants, comme l'essence, le tétrachlorométhane, les solvants chlorés, l'ammoniacque et les produits de nettoyage domestiques contenant de l'ammoniacque, endommagent les composants en plastique ► N'utilisez aucun de ces produits pour nettoyer la ponceuse ► Si la machine produit beaucoup d'étincelles, faites réviser et/ou remplacer les balais par le service officiel de réparation Werku®.

PROTECTION DE L'ENVIRONNEMENT.

► Les matériaux et composants utilisés pour fabriquer ce produit peuvent être réutilisés et recyclés ► Werku® a adhéré à un Système Intégré de Gestion qui se charge de l'élimination correcte des résidus de ce produit ► Ne jetez pas ce produit dans les ordures domestiques ► Werku® propose à ses clients un service gratuit de collecte de ces résidus dans tous ses points de vente, dans les points de collecte listés par le Système Intégré de Gestion ou dans les points de collecte de votre commune.

GARANTIE ET SERVICE TECHNIQUE.

► Outre la garantie légale, Werku® offre une garantie commerciale supplémentaire ► Cette garantie commerciale couvre la réparation des défauts résultant de défaillances dans le matériel ou la fabrication ► Pour cela, les défauts doivent être constatés pendant la période de validité ► Le consommateur a droit à la réparation gratuite des défauts que Werku® reconnaît comme inclus dans la garantie commerciale (frais envoi, main d'œuvre et matériaux inclus), au choix de Werku®, au moyen de la simple réparation ou par remplacement (le cas échéant, par un modèle postérieur) ► Cette garantie commerciale n'affecte pas les droits du consommateur établis légalement par la Directive 1999/44/CE ► La période de validité de cette garantie commerciale est de 24 mois ► Si ce produit est destiné à une utilisation professionnelle ou industrielle, la période de validité est de 12 mois ► La période de validité débute à la date d'achat par le premier consommateur ► Cette date figure sur la facture ou le ticket de caisse ► Le droit de réclamer l'application de cette garantie commerciale expire six mois après la fin de la période de validité ► Les réclamations en vertu de cette garantie commerciale doivent être présentées au distributeur ou au Service d'Assistance Technique ► Pour cela, il est indispensable de présenter cette garantie dûment complétée et tamponnée par le distributeur, accompagnée de la facture ou du ticket d'achat ► Pour toute information relative à cette garantie commerciale, l'acheteur et/ou le distributeur peut contacter le Service d'Assistance Technique au +34 981 648 119, ou par courrier électronique à info@werku.com ► Sont exclus de cette garantie commerciale les défauts causés par des pièces usées résultant d'une utilisation naturelle, les défauts causés par le non respect ou la mauvaise application de la notice d'utilisation ou par une utilisation non conforme à celle à laquelle est destiné ce produit, par des facteurs environnementaux anormaux ou une surcharge, un entretien ou un nettoyage inadéquats, les défauts causés par l'utilisation d'accessoires ou de pièces de rechange qui ne sont pas des pièces d'origine Werku® et si le produit a été totalement ou partiellement

démonté, modifié ou réparé par du personnel autre que celui du Service d'Assistance Technique, ou s'il s'agit d'irrégularités minimales et insignifiantes pour une utilisation et un fonctionnement adéquats ► Les réparations et remplacements ne prolongent ni ne renouvellent le délai de validité de cette garantie commerciale ► Les pièces remplacées sont la propriété de Werku® ► Si l'acheteur remet le produit au Service d'Assistance Technique en ne remplissant pas les conditions de cette garantie commerciale, les frais et risques du transport seront à sa charge ► Cette garantie commerciale est valable sur le territoire de l'Union Européenne ► L'entreprise responsable de l'application de cette garantie commerciale Werku® est Rico-Yáñez SA

ASSISTANCE TECHNIQUE.

► Werku® met à votre disposition son service technique pour répondre à toutes les questions sur ses produits ► Si vous souhaitez contacter notre équipe, veuillez envoyer un courrier électronique à l'adresse suivante: info@werku.com.

CE CONFORMITEITSVERKLARING.

► Werku® verklaart dat de schuurmachine in overeenstemming is met de Europese richtlijnen en normen 2006/42/CE, 2006/95/CE, 2004/108/CE, EN60745-1:2009+A11:2010, EN60745-2-4:2009+A11:2011, EN55014-1:2006, EN55014-2:1997+A1:2001+A:2008, EN61000-3-2:2006, EN61000-3-3:1995+A1:2001+A2:2005 en EN61000-3-3:2008.

La Coruña, 01/01/2015
R Yáñez
Werku Tools SA

TECHNISCHE EIGENSCHAPPEN.

► Spanning-frequentie 230V~50Hz ► Vermogen 710W ► Klasse II ► Beveiliging index IP20
► Uitlaatsysteem ► Toerental 3000-6300 min⁻¹
► Schijfdiameter 150mm ► Baandiameter 4mm
► Netto gewicht 2.7 kg ► Geluidsdruk LpA ≤85 dB(A) ► Respectievelijke onzekerheid KpA 3,0 dB(A) ► Akoestische druk LwA ≤96 dB(A)
► Respectievelijke onzekerheid Kwa 3,0 dB(A)
► Vibratie Ah <5,93 m/s² ► Respectievelijke onzekerheid Kh 1,5 m/s².

VEILIGHEIDSINSTRUCTIES.

► Lees alle beveiligingswaarschuwingen en alle instructies ► Het niet opvolgen van alle hieronder vermelde waarschuwingen en instructies kan leiden tot elektrische schokken, brand en/of ernstig letsel ► Bewaar alle waarschuwingen en voorschriften voor toekomstig gebruik ► Ongevallen kunnen meestal worden voorkomen door erkenning van een potentiële gevaarlijke situatie voordat deze plaatsvindt en door het observeren van de juiste veiligheidsprocedures ► Deze schuurmachine niet gebruiken voor andere toepassingen dan die in deze handleiding zijn gespecificeerd.

VEILIGHEID OP DE WERKOMGEVING.

► Houw de werkomgeving schoon en goed verlicht ► Een rommelige of onverlichte werkomgeving kan ongevallen veroorzaken
► Gebruik geen elektrisch gereedschap in explosieve omgevingen, zoals in de aanwezigheid van brandbare vloeistoffen, gassen of stoffen ► Houw kinderen en nieuwsgierigen uit de buurt tijdens het gebruiken van een elektrisch gereedschap ► Afleidingen kunnen controleverlies veroorzaken.

PERSOONLIJKE VEILIGHEID.

► Blijf alert, let op wat u doet en gebruik uw gezond verstand bij het bedienen van een elektrisch gereedschap ► Gebruik geen elektrisch gereedschap wanneer u moe of onder invloed bent van drugs, alcohol of medicijnen ► Een moment van onoplettendheid bij het gebruik van elektrisch gereedschap kan ernstige persoonlijke schade veroorzaken.

GEBRUIK PBM's.

► Gebruik een beschermingsbril volgens EN166
► Gebruik een beschermingsmasker volgens EN149 ► Indien vereist door de aard van het werk, gebruik andere precieze PBM's.

NIET OP DE TENEN WERKEN.

► Houw de voeten goed op de grond en blijf in ieder moment in evenwicht
► Dit vergemogelijkt een betere controle van het elektrisch gereedschap in onverwachte situaties.

DRAAG GESCHIKTE KLEDING.

► Draag geen losse kleding of sieraden ► Houw uw haar, kleding en handschoenen uit de buurt van bewegende delen ► Losse kleding, sieraden en lange haren kunnen door bewegende delen worden opgenomen ► Als er apparaten zijn voor de verbinding van extractiemiddelen en stofverzamelaars, zorg erdan voor dat ze zijn aangesloten en juist worden gebruikt ► Het gebruik van deze apparaten kan gevaren die met stof te maken hebben verminderen.

ELEKTRISCHE VEILIGHEID.

► De stekker van het elektrisch gereedschap moet bijpassend zijn met de basis van het stopcontact ► Verander de stekker nooit; op welke manier ook ► Gebruik geen verloopstekkers met geaard elektrisch gereedschap ► Onveranderde stekkers en passende stopcontacten zullen het risico op een elektrische schok verminderen ► Vermijd lichamelijk contact met geaarde oppervlakken zoals buizen, verwarmingen, fornuizen en koelkasten ► Er bestaat een verhoogd risico op een elektrische schok wanneer uw lichaam geaard is ► Elektrisch gereedschap niet blootleggen aan regen of natte omstandigheden ► Water in het elektrisch gereedschap zal het risico op een elektrische schok verhogen.

HET SNOER NIET MISBRUIKEN.

► Gebruik het snoer nooit om het elektrische gereedschap te dragen, op te tillen of uit de stekker te trekken ► Houd het snoer uit de buurt van hitte, olie, scherpe randen of bewegende onderdelen ► Een beschadigd of verward snoer verhoogt het risico op een elektrische schok ► Bij het gebruik buitenshuis van het elektrisch gereedschap, gebruik maken van een verlengsnoer dat geschikt is voor gebruik buitenshuis ► Het gebruik van een verlengsnoer dat geschikt is voor gebruik buitenshuis vermindert het risico op een elektrische schok ► Als het gebruik van het elektrisch gereedschap in een vochtige omgeving onvermijdelijk is, gebruik dan een stroom beveiligd met een aardlekschakelaar (RCD) ► Het gebruik van een aardlekschakelaar vermindert het risico van een elektrische schok.

VOORKOM HET ONOPZETTELIJK INSCHAKELEN.

► Zorg ervoor dat de schakelaar op de “off” positie staat voor de verbinding met het netwerk of het transporteren van het elektrisch gereedschap ► Het dragen van het elektrische gereedschap met uw vinger aan de schakelaar of het aansluiten van het elektrisch gereedschap met de schakelaar op de “on” positie, nodigt uit tot ongevallen ► Verwijder sleutels of gereedschap voor het starten van het elektrische gereedschap ► Een achtergelaten sleutel of gereedschap in een draaiend onderdeel van het elektrische gereedschap kan persoonlijk letsel veroorzaken.

GEBRUIK EN ONDERHOUD VAN ELEKTRISCH GEREEDSCHAP.

► Forceer het elektrisch gereedschap niet ► Gebruik het juiste elektrisch gereedschap voor de toepassing ► Met het juiste elektrisch gereedschap werkt u beter en veiliger binnen het toerental waarvoor deze werd ontworpen ► Gebruik het elektrisch gereedschap niet als de schakelaar niet kan worden geplaatst op de “on” en “off” posities ► Elk elektrisch gereedschap dat niet kan worden in- of uitgeschakeld is gevaarlijk en moet worden gerepareerd ► Trek de stekker uit het stopcontact en/of de accu voordat u afstellingen verricht, accessoires verwisselt of het elektrisch gereedschap weglegt ► Dergelijke preventieve veiligheidsmaatregelen verminderen het risico op het onopzettelijk aanzetten van het elektrische gereedschap.

HET OPSLAAN VAN PERSLUCHTGEREEDSCHAP.

► Elektrisch gereedschap dat niet in gebruik is moet worden opgeladen buiten het bereik van kinderen en mag niet worden gebruikt door personen zonder ervaring met elektrisch gereedschap of door mensen die deze instructies niet kennen ► Elektrisch gereedschap is gevaarlijk in de handen van onervaren gebruikers.

ONDERHOUD.

► Controleer of bewegende delen niet los zitten of vastgelopen zijn, of er geen gebroken onderdelen of andere omstandigheden zijn die de werking van elektrisch gereedschappen kunnen beïnvloeden ► Elektrisch gereedschap moet worden gerepareerd voor gebruik en wanneer deze beschadigd zijn ► Veel ongelukken worden veroorzaakt door slecht onderhouden elektrisch gereedschap ► Gebruik elektrisch gereedschap en accessoires volgens deze instructies en op de wijze die voor het specifieke type elektrisch gereedschap geldt, rekening houdend met de werkomstandigheden en het te ontwikkelen werk ► Het gebruik van elektrisch gereedschap voor andere dan de voorziene toepassingen kan tot gevaarlijke situaties leiden ► Laat uw elektrisch gereedschap controleren en repareren door een officiële Werku® reparatieservice en gebruik alleen originele vervangingsonderdelen ► Dit zal de veiligheid van het elektrisch gereedschap in stand houden.

CONTROLEER DE GOEDE STAAT VAN DE SCHUURMACHINE.

► Zorg ervoor dat alle schroeven in de schuurmachine perfect zijn vastgedraaid ► Laat de schuurmachine opwarmen door deze leeg te gebruiken gedurende koude klimaten of als de schuurmachine een lange periode niet gebruikt is, om ervoor te zorgen dat alle interne componenten perfect gesmeerd worden ► Zorg ervoor dat de eventuele geïnstalleerde accessoires perfect aangebracht zijn en op zijn plaats zitten.

VOORDAT U BEGINT.

► Voordat u de schuurmachine gebruikt, zorg ervoor dat u stevig staat ► Controleer of er niemand onder de schuurmachine influentiezone staat indien u in de hoogte werkt ► Houw uw handen uit de buurt van alle bewegende delen van de schuurmachine.

TIJDENS HET WERKEN.

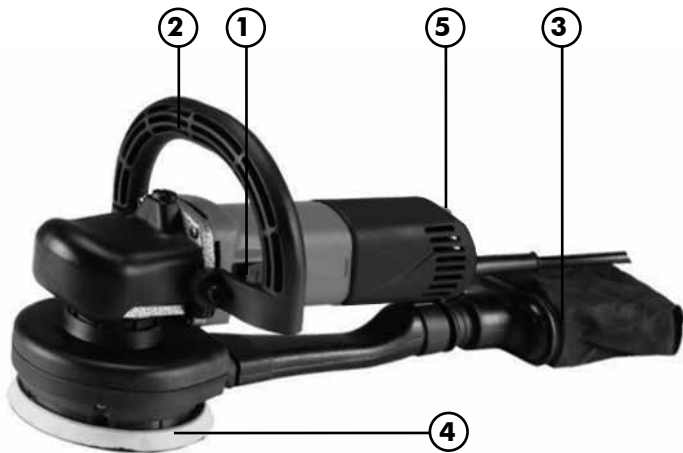
► De schuurmachine niet laten werken zonder deze stevig vast te houden ► Laat deze allen werken als u zeker bent dat u volledige controle over de schuurmachine heeft ► Richt de schuurmachine nooit op iemand terwijl deze in gebruik is ► Bij gebruik van de schuurmachine kunnen trillingen optreden ► Schroeven kunnen geleidelijk loskomen en mogelijk storingen of ongevallen veroorzaken ► Houw uw handen uit de buurt van alle bewegende delen van de schuurmachine.

HET WERK EINDE.

► Na gebruik, niet de geïnstalleerde accessoires in de schuurmachine aanraken ► Deze kunnen heet zijn en brandwonden veroorzaken ► Sommige materialen waarmee gewerkt is kunnen chemicaliën of giftige componenten bevatten ► Vermijd het inademen van deze stoffen of met deze in contact komen met de huid ► Gebruik PBM's ter voorkoming en bestrijding van incidenten van deze aard.

BESCHRIJVING VAN HET PRODUCT.

► De schuurmachine is ontworpen voor klussen van polijsten en schuren ► Raadpleeg voor gebruik dit plan om vertrouwd te raken met de schuurmachine.



1. Schakel.
2. Handvat.
3. Stofafscheider.
4. Steunschijf.
5. Toerental selector.

GEBRUIKSAANWIJZING.

► Voor het starten van de schuurmachine, raden wij u aan zorgvuldig alle aangegeven instructies te lezen ► Respecteer alle voorschriften met betrekking tot de preventie van ongevallen, gezondheids- en veiligheidsrichtlijnen, wetten en toepasselijke beperkingen voor werkplekken ► De schuurmachine mag alleen worden gebruikt door personen die geïnstrueerd zijn in het gebruik ervan en uitsluitend voor de doeleinden waarvoor deze is ontworpen.

ENERGIE VOEDING.

► Zorg ervoor dat de energie voeding is aangepast aan de op het informatiebord van de schuurmachine eisen (1) ► Bij een lage spanning zal de schuurmachine langzaam opereren ► Hierdoor zullen de prestaties verminderen en kan de motor oververhit raken.

WERKING.

► Drukt op de schakelaar (2) om de schuurmachine aan te zetten ► Beweeg de schuurmachine met grote veggende bewegingen over het oppervlak dat moet worden geschuurd en laat de schuurmachine het werk doen (3) ► De schuurmachine naar beneden drukken vertraagt de eliminatie snelheid en genereert een lagere oppervlak kwaliteit (4) ► Werk nooit met een geïnclineerde schuurmachine, daar dit de steunschijf kan beschadigen en het schuurpapier kan breken (5) ► Controleer regelmatig de schuurresultaten ► Deze schuurmachine kan materiaal zeer snel verwijderen, vooral als u dik schuurpapier gebruikt ► Voor een best mogelijke afwerking, start met grof schuurpapier en geleidelijk naar een fijner schuurpapier ► Een laatste schuurbewerking met een stuk nogal versleten schuurpapier zal een professionele afwerking produceren dat in veel gevallen geen laatste handschuur bewerking vereist ► De snelheid waarmee de stofopvangzak gevuld wordt zal variëren afhankelijk van het materiaaltype en de dikte van het schuurpapier ► Voor het beste resultaat, leeg de stofopvangzak regelmatig en controleer of de opening niet vast zit ► Bij het schuren van gelakte oppervlakken kan het gebeuren dat het schuurpapier belast en bedekt wordt met verf ► In dit geval is het is veel beter om voor het schuren een

heteluchtpistool te gebruiken om de verf te verwijderen ► Voorkom overbelasting van de schuurmachine ► Overbelasting zal resulteren in een veel lagere snelheid en efficiency waardoor de schuurmachine verwarmt ► Mocht dit het geval zijn, laat de schuurmachine dan werken zonder belasting gedurende één of twee minuten.

STOFAFZUIGING.

► De schuurmachine heeft een geïntegreerde stofafzuiging.

STOFAFZUIGZAK LEGEN.

► Houw de schuurmachine vast en verwijder de deksel van de stofafzuigzak ► Schud en tik zachtjes op de stofafzuigzak om deze te legen ► Zet het deksel opnieuw op de stofafzuigzak ► Pas op; het verwijderen van de schuurstof kan een risico voor de ademhaling veroorzaken.

VOORZORGSMAATREGELEN BIJ HET SCHUREN VAN VERF.

► Het schuren van lood-gebaseerde verf wordt niet aanbevolen vanwege de moeilijkheid om de verontreinigde stoffen te controleren ► Loodvergiftiging is het meest gevaarlijk voor kinderen en zwangere vrouwen.

REINIGING EN ONTSMETTING.

► Alle oppervlakken in het werkgebied moet worden gestofzuigd en dagelijks grondig schoongemaakt worden gedurende het schuurproject ► De stofafzuigzakken moeten regelmatig worden vervangen.

INSTELLING VAN SCHUURPAPIER.

► Steek de schuurmachine uit het stopcontact voor het uitvoeren van elke aanpassing of vervanging van schuurpapier ► Het schuurpapier moet worden bevestigd met klittenband (6) ► Zet het schuurpapier op alle grenzen van het steunschijf ► Druk op het schuurpapier totdat perfect vast zit.

TOERENTAL SELECTOR.

► De schuurmachine is uitgerust met een snelheidsregelaar ► De optimale snelheidsaanpassing voor elke toepassing is vooral afhankelijk van de voorkeuren van de gebruiker ► In het algemeen is een hoge waarde de voorkeur voor harde materialen en een lagere

waarde voor zachte materialen ► De snelheid waarmee materiaal wordt verwijderd neemt toe met het toerental.

ONDERHOUD.

► De schuurmachine is ontworpen voor een lange levensduur met een minimum aan onderhoud ► Optimaal gebruik hangt af van de juiste verzorging en regelmatige reiniging van de schuurmachine ► Om ongelukken te voorkomen, altijd de stekker van de schuurmachine uit het stopcontact halen vóór het schoonmaken of onderhoud ► De schuurmachine kan na elk gebruik effectief worden gereinigd met behulp van perslucht ► Als er geen perslucht beschikbaar is, gebruik dan een borstel om stof van de schuurmachine te verwijderen ► Motor ventilatieopeningen schakelaarhendels moeten altijd schoon en vrij van stoffen ► Probeer tijdens het schoonmaken niet puntige voorwerpen door de openingen te voegen ► Sommige reinigings- en oplosmiddelen kunnen schade verrichten aan de kunststof onderdelen, onder deze zijn benzine, tetrachloorkoolstof, chloor houdende schoonmaakmiddelen, ammoniak en huishoudelijke schoonmaakmiddelen die ammoniak bevatten ► Gebruik geen van deze om de schuurmachine schoon te maken ► Mochten er overmatige vonken ontstaan, laat dan de Werku® officiële reparatiedienst een revisie maken en/of de koolborstels vervangen.

MILIEU BESCHERMING.

► De materialen en componenten die zijn gebruikt om dit product te vervaardigen kunnen worden hergebruikt en gerecycleerd ► Werku® is gehecht aan een geïntegreerd managementsysteem dat verantwoordelijk is voor de correcte verwijdering van de residuen van dit product. ► Gooi dit product niet eg met de gewone vuilnis ► Werku® biedt haar klanten een gratis collectiedienst voor deze resten op elke verkooppunt, op het verzamelpunt van het managementsysteem en op het schone inzamelpunt van uw woonplaats.

GARANTIE EN TECHNISCHE SERVICE.

► Apart van de wettelijke garantie, biedt Werku® een extra commerciële garantie ► Deze commerciële garantie dekt de reparatie van alle geconstateerde gebreken die te wijten aan fouten in het materiaal of de fabricage ► Om

deze dekking effectief te zijn is het noodzakelijk dat de gebreken verschijnen binnen de geldigheidsduur ► The consument heeft recht op gratis reparatie van alle defecten die Werku® erkent zoals opgenomen in de commerciële garantie (verzendkosten, arbeidskosten en materialen inbegrepen) en gekozen door Werku®, hetzij via de reparatie of door vervanging (eventueel met een nieuwer model) ► Deze commerciële garantie heeft geen invloed op de rechten van de consument gevestigd door de wet overeenkomstige Richtlijn 1999/44 / CE ► Deze commerciële garantie is geldig gedurende 24 maanden ► Als dit product is bestemd voor professioneel of industrieel gebruik, is de geldigheidsduur 12 maanden ► The geldigheidsduur begint op de datum van aankoop van de eerste consument ► Deze datum wordt getoond op de factuur of aankoopbon ► Acties voor claims tegen deze commerciële garantie vervallen zes maanden na het einde van de geldigheidsperiode ► Alle claims die voortvloeien uit deze commerciële garantie moeten aan de distributeur of aan de Technische Dienst worden voorgelegd ► Hiervoor moet u deze garantie correct ingevuld en gestempeld by de distributeur presenteren, samen met de factuur of kassabon ► Voor welke informatie ook over deze commerciële garantie, kunt U contact opnemen met de Technische Dienst op het telefoonnummer +34 981 648 119, of per e-mail op info@werku.com ► Deze commerciële garantie geldt niet voor defecten veroorzaakt door onderdelen die versleten zijn door gebruik en andere vormen van natuurlijke slijtage, defecten veroorzaakt door het niet opvolgen van de instructies voor het gebruik, bij toepassingen waarvoor dit product niet bestemd is, voor afwijkende omgevingsfactoren, overbelasting of onzorgvuldig onderhoud of reiniging, voor gebreken veroorzaakt door het gebruik van onderdelen, accessoires of vervangingen die niet origineel Werku® onderdelen zijn, indien dit product geheel of gedeeltelijk gedemonteerd, aangepast of gerepareerd is door iemand verschillend van de Technische Dienst, bij minimale en irrelevante onregelmatigheden die het normale gebruik

niet beïnvloeden ► Reparaties en vervangingen verlengen of vernieuwen de geldigheidsduur van deze commerciële garantie niet ► De vervangen onderdelen worden eigendom van Werku® ► Indien de koper dit product naar de Technische Dienst stuurt en deze niet voldoet aan de voorwaarden van deze commerciële garantie, zijn alle onkosten en transport risico's voor de koper ► Deze commerciële garantie is alleen geldig op het grondgebied van de Europese Unie ► Het bedrijf dat verantwoordelijk is voor de naleving van deze Werku® commerciële garantie is Rico-Yáñez SA.

TECHNISCH ADVIES.

► De technische afdeling van Werku® staat tot uw beschikking om eventuele vragen op te lossen die u mocht hebben met betrekking tot zijn producten ► Als u contact wilt opnemen met ons team, stuur dan een e-mail naar info@werku.com.

DECLARAÇÃO CONFORMIDADE CE.

► Werku® declara que a lixadora corresponde às Directivas e Normativas Europeias 2006/42/CE, 2006/95/CE, 2004/108/CE, EN60745-1:2009+A11:2010, EN60745-2-4:2009+A11:2011, EN55014-1:2006, EN55014-2:1997+A1:2001+A:2008, EN61000-3-2:2006, EN61000-3-3:1995+A1:2001+A2:2005 e EN61000-3-3:2008.

La Coruña, 01/01/2015

R Yáñez

Werku Tools SA

CARACTERÍSTICAS TÉCNICAS.

- Voltagem-frequência 230V~50Hz ► Potência 710W ► Classe II ► Índice protecção IP20
- Sistema extracção ► Rotações 3000-6300 min⁻¹
- Diâmetro disco 150mm ► Diâmetro órbita 4mm
- Peso líquido 2.7 kg ► Pressão acústica LpA ≤85 dB(A) ► Possível variação KpA 3.0 dB(A)
- Pressão acústica LwA ≤96 dB(A) ► Possível variação KWA 3.0 dB(A) ► Vibração Ah <5.93 m/s²
- Possível variação Kh 1.5 m/s².

INSTRUÇÕES DE SEGURANÇA.

► Leia todos os avisos de segurança e todas as instruções ► Não seguir todas as advertências e as instruções listadas abaixo pode resultar em choque eléctrico, incêndio e/ou ferimento grave ► Manter todos os avisos e as instruções para referência futura ► Os acidentes poderam evitar-se em muitos casos dando-se conta de uma situação perigosa antes de que se produza, e observando fielmente os procedimentos de segurança apropriados ► Não utilize nunca esta lixadora para aplicações que não sejam as especificadas neste manual.

SEGURANÇA DO ÁREA DE TRABALHO.

► Manter a área de trabalho limpa e bem iluminada ► As áreas desorganizadas e escuras provocam acidentes ► Não opere ferramentas eléctricas em atmosferas explosivas, como na presença de líquidos, gases ou poeiras inflamáveis ► Manter longe do alcance das crianças e curiosos enquanto estiver operando uma ferramenta eléctrica ► As distrações podem fazer você perder o controle.

SEGURANÇA PESSOAL.

► Esteja alerta, observe o que está fazendo e use o bom senso ao operar uma ferramenta eléctrica ► Não use a ferramenta quando estiver cansado ou sob a influência de drogas, álcool ou medicamentos ► Um momento de desatenção enquanto opera uma ferramenta pode causar ferimentos graves.

USE EPIS.

► Use óculos protetores según EN149 ► Use máscaras protetores según EN149 ► Se o tipo de trabalho a realizar assim o exigir, utilize outros EPIs específicos.

NÃO TRABALHE DE PUNTILHAS.

► Mantenha seus pés no chão e equilíbrio em todos os momentos ► Isso permite melhor controle da ferramenta em situações inesperadas.

USAR ROUPA APROPRIADA.

► Não use roupas folgadas ou jóias ► Manter o cabelo, roupas e luvas longe das peças móveis ► Roupas folgadas, jóias ou cabelos longos podem ser agarradas por partes ► Se houver dispositivos para conexão através de extracção e colecta de pó, verifique se eles estão conectados e usados correctamente ► O uso destes dispositivos podem reduzir os riscos relacionados à poeira.

SEGURANÇA ELÉCTRICA.

► O plugue da ferramenta eléctrica deve coincidir com a base do soquete ► Nunca modifique o plugue de qualquer forma ► Não utilize plugues adaptadores com ferramentas eléctricas ligadas à terra ► Plugues não modificados e bases compatíveis reduzirão o risco de choque eléctrico ► Evite contacto corporal com superfícies aterradas tais como tubos, radiadores, fogões e geladeiras ► Há um aumento do risco de choque eléctrico se seu corpo está no chão ► Não exponha ferramentas eléctricas à chuva ou humidade ► A água entrando na ferramenta eléctrica aumentará o risco de choque eléctrico.

NÃO FORCE O CABO ELÉCTRICO.

► Nunca use o cabo de carregar, erguer ou retirar a ferramenta eléctrica ► Mantenha o cabo

longe do calor, óleo, cantos afiados ou partes móveis ► Os cabos danificados ou emaranhados aumentam o risco de choque eléctrico ► Ao operar uma ferramenta eléctrica ao ar livre, use um cabo de extensão apropriado para uso externo ► O uso de um cabo de extensão apropriado para áreas exteriores reduz o risco de choque eléctrico ► Se a utilização de uma ferramenta eléctrica em um local húmido estiver disponível, usar um poder protegida por um dispositivo de corrente residual (RCD) ► O uso de um RCD reduz o risco de choque eléctrico.

EVITE UM ACCIONAMENTO INVOLUNTÁRIO.

► Verifique se o interruptor está na posição “off” antes de se conectar à rede, e ao coger ou carregar a ferramenta eléctrica ► Carregar ferramentas eléctricas com seu dedo no interruptor ou ligar que têm o interruptor em posição “on” convida a acidentes ► Retire a chave ou a ferramenta antes de iniciar a ferramenta eléctrica ► Unha chave ou ferramenta esquecida ou anexada a uma parte rotativa dunha ferramenta eléctrica pode causar danos pessoais.

USO E CUIDADOS COM FERRAMENTAS ELÉCTRICAS.

► Não force a ferramenta eléctrica ► Use a ferramenta eléctrica correta para sua aplicação ► A ferramenta eléctrica correta fará o trabalho melhor e mais seguro se a taxa para o qual foi concebido ► Não use a ferramenta eléctrica se o interruptor não pode ser posicionada em posição “off” e “on” ► Qualquer ferramenta eléctrica que não pode ser controlada com o interruptor é perigosa e deve ser reparada ► Retire o plugue da alimentação e/ou da bateria antes de fazer quaisquer ajuste, troco de acessórios ou amacenação de ferramentas eléctricas ► Tais medidas preventivas reduzem o risco de accionamento accidental da ferramenta eléctrica.

GUARDE AS FERRAMENTAS ELÉCTRICAS.

► Guarde as ferramentas fora do alcance das crianças e não permitir o manuseamento de ferramentas eléctricas para as pessoas não familiarizadas com as ferramentas ou com estas instruções ► As ferramentas eléctricas são perigosas nas mãos de utilizadores inexperientes.

MANUTENÇÃO.

► Verifique as partes móveis de desalinhamento, não há peças quebradas ou outras condições que podem afectar o funcionamento das ferramentas eléctricas ► As ferramentas eléctricas são reparadas antes da utilização, quando estão danificadas ► Muitos acidentes são causados por ferramentas eléctricas sem manutenção ► Use ferramentas eléctricas, acessórios e pontas de ferramentas, etc de acordo com estas instruções e na forma prevista para o tipo particular da ferramenta, levando em conta as condições de trabalho e o trabalho a desenvolver ► O uso da ferramenta eléctrica para outras aplicações que não foram previstas, pode resultar em uma situação perigosa ► Verifique a sua ferramenta reparada por um serviço oficial de reparação Werku® usando peças de substituição idênticas ► Isso irá garantir a segurança da ferramenta seja mantida.

VIGIE O BOM ESTADO DA LIXADORA.

► Verifique se os parafusos da lixadora estão todos perfeitamente apertados ► Em climas frios ou quando a lixadora tenha estado sem uso durante muito tempo, deixe que a lixadora aqueça um pouco fazendo-a funcionar em vazio durante uns minutos para permitir uma perfeita lubrificação dos componentes internos ► Certifique-se que os possíveis acessórios instalados están perfeitamente assentes na posição correcta.

ANTES DE COMEÇAR A TRABALHAR.

► Certifique-se que se encontra firmemente apoiado ► Certifique-se que não há ninguém debaixo da zona de influência da lixadora quando levar a cabo trabalhos em zonas elevadas ► Afaste as mãos das partes em movimento da lixadora.

DURANTE O FUNCIONAMENTO.

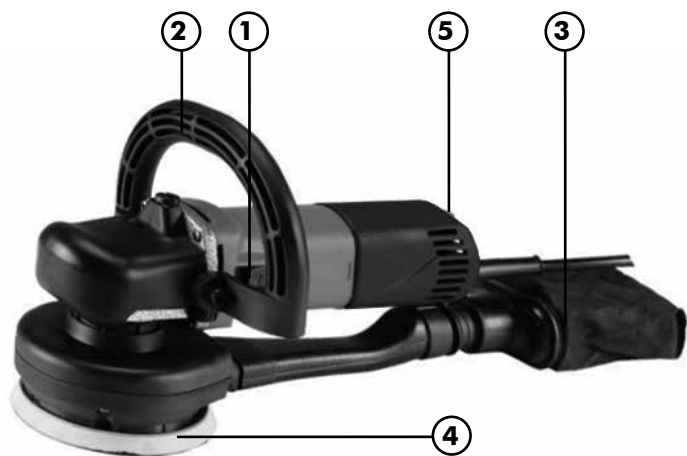
► Não deixe a lixadora a funcionar sem tela bem fixa ► Coloque-o em funcionamento quando tiver a certeza que está perfeitamente controlado ► Não aponte a lixadora a ninguém durante o funcionamento ► A lixadora produzirá vibrações durante o funcionamento ► Os parafusos podem afrouxar progressivamente podendo causar avarias ou acidentes ► Afaste as mãos das partes em movimento da lixadora.

AO TERMINAR DE TRABALHAR.

► Não toque nos acessórios instalados na lixadora após a sua utilização ► Pode estar muito quente e provocar queimaduras ► Alguns materiais sobre os quais trabalhará podem conter químicos ou componentes que podem ser tóxicos ► Tenha cuidado para prevenir a inalação destas substâncias ou o contacto com a pele ► Utilize os EPIs desenhados para o prevenir e proteger destas incidências.

DESCRIÇÃO DO PRODUTO.

► A lixadora foi desenhada para realizar trabalhos de polir e lixar ► Observe este esquema para se familiarizar com a lixadora antes de a utilizar.



1. Interruptor.
2. Punho.
3. Coletor pó.
4. Base.
5. Regulador velocidade.

INSTRUÇÕES DE USO.

► Antes de colocar a lixadora em funcionamento, aconselhamos a ler completa e minuciosamente todas as instruções que se indicam ► Ainda assim, deverá ter em conta as normas para a prevenção de acidentes, os regulamentos e as directivas, as leis e restrições vigentes para os centros de trabalho ► A lixadora deve de ser utilizado unicamente por pessoas devidamente preparadas para a sua operação e exclusivamente de acordo com os fins previstos.

FONTE DE ALIMENTAÇÃO.

► Certifique-se de que a fonte de alimentação se ajusta aos requisitos especificados na placa de dados da lixadora (1) ► Pôr o motor a funcionar a baixa voltagem fará com que este opere lentamente ► Isto reduzirá o rendimento e pode causar o sobreaquecimento do motor.

EXTENSÃO ELÉCTRICA.

► Quando a zona de trabalho estiver afastada da fonte de alimentação, utilize uma extensão eléctrica com diâmetro e qualidade suficientes.

OPERAÇÃO.

► Para acender a lixadora, pressione o interruptor de acendido (2) ► Mova a lixadora com deslocamentos de varrido amplos ao longo da superfície a lixar, deixando que a lixadora faça o trabalho (3) ► Apertar para abaixo a diminui a velocidade de eliminação e gera uma superfície de menor qualidade (4) ► Nunca trabalhe com a lixadora inclinada, isto pode danar a base e romper a lixa (5) ► Verifique os resultados com frequência ► Esta lixadora pode eliminar material muito rapidamente, especialmente se utiliza papel gordo ► Para que o acabamento seja o melhor possível, comece com papel de lixa gordo e mude progressivamente a outros cada vez mais finos ► Um lixado final com um pedaço de papel de lixa bastante puído produzirá um acabamento profissional que em muitos casos não requererá ser lixado a mão ► A velocidade à qual se enche a bolsa de coleção de pó variará de acordo ao tipo de material a lixar e a grossura do papel de lixa ► Para melhores resultados, esvazie a bolsa com frequência e revise a abertura para verificar que não tenha nada atorado ► Ao lixar superfícies pintadas, pode suceder que o papel de lixa se carregue e tampe com a pintura ► É muito melhor usar uma pistola térmica para eliminar a pintura antes de lixar ► Evite sobrecarregar a lixadora ► As sobrecargas resultarão numa velocidade e eficiência consideravelmente menores e a unidade se fará quente ► Neste caso, opere a lixadora sem ônus por um ou dois minutos.

EXTRAÇÃO DE PÓ.

► A lixadora inclui um coletor de pó integrado.

PARA ESVAZIAR O COLETOR DE PÓ.

▶ Enquanto sujeita a lixadora, retire a tampa do coletor de pó ▶ Sacuda ou golpeie ligeiramente o coletor de pó para esvaziá-lo ▶ A expulsão de pó de lixado poderia provocar um risco para a respiração.

PRECAUÇÕES A TOMAR QUANDO LIXE PINTURA.

▶ O lixado de pinturas com base de chumbo não se recomenda devido à dificuldade de controle do pó contaminado ▶ O envenenamento por chumbo é mais perigoso para meninos e mulheres grávidas.

LIMPEZA E ELIMINAÇÃO.

▶ Todas as superfícies da zona de trabalho devem de ser aspiradas e limpadas em profundidade todos os dias enquanto dure o projeto de lixado ▶ As bolsas de filtrado da aspiradora se devem mudar com frequência.

FIXAÇÃO DOS DISCOS DE LIXAGEM.

▶ Desligue a lixadora da rede eléctrica antes de levar a cabo qualquer ajuste ou substituição de acessórios ▶ Os discos de lixagem são fixados com velcro (6) ▶ Alinhe o disco de lixagem sobre o prato para que coincidirem os limites de ambas as partes ▶ Pressione o disco de lixa sobre a base até aderir perfeitamente.

SELECTOR DE VELOCIDADE.

▶ A lixadora está equipada com um selector de velocidade ▶ O ajuste de velocidade óptimo para cada aplicação depende em grande medida da preferência do utilizador ▶ Em geral, é preferível um valor alto em materiais duros e um valor menor em materiais moles ▶ A velocidade de eliminação do material aumenta com a velocidade de rotação.

MANUTENÇÃO.

▶ A lixadora foi desenhada para funcionar durante muito tempo com o mínimo de manutenção ▶ O funcionamento óptimo depende do bom cuidado da lixadora e de uma limpeza frequente ▶ Para evitar acidentes, retire sempre a lixadora da fonte de alimentação antes de dar início à limpeza ou a qualquer tipo de

manutenção da mesma ▶ A lixadora deverá ser limpa de maneira eficaz mediante o uso de ar comprimido ▶ Utilize sempre óculos protetores quando trabalhar com ar comprimido ▶ Se não poder utilizar ar comprimido, retire as poeiras da lixadora com uma escova ▶ As fendas de ventilação do motor e os interruptores devem estar sempre limpos e sem qualquer tipo de resíduos ▶ Não tente limpá-los introduzindo objectos pontiagudos através das aberturas ▶ Alguns produtos de limpeza e dissolventes danificam os componentes de plástico, entre os quais se destaca a gasolina, o tetraclorometano, os dissolventes de limpeza clorados, o amoníaco, os produtos de limpeza clorados, e os produtos de limpeza domésticos que contêm amoníaco ▶ Não utilize nenhum dos produtos anteriormente mencionados para limpar a lixadora ▶ Caso detecte a formação de faíscas de modo excessivo, faça com que o Serviço oficial de reparação Werku® reveja a lixadora e/ou substitua as escovas.

PROTECÇÃO DO MEIO AMBIENTE.

▶ Os materiais e os componentes que foram usados para fazer este produto podem ser reutilizados e reciclados ▶ Werku® está aderido a um Sistema Integrado de Gestão que está encarregado da correta eliminação dos resíduos deste produto ▶ Não elimine este produto com os resíduos domésticos ▶ Werku® oferece aos seus clientes um serviço livre de colecção destes resíduos nos seus pontos de venda, nos pontos da colecção estabelecidos pelo Sistema Integrado de Gestão ou no ponto de reciclagem da sua cidade.

GARANTIA E SERVIÇO TÉCNICO.

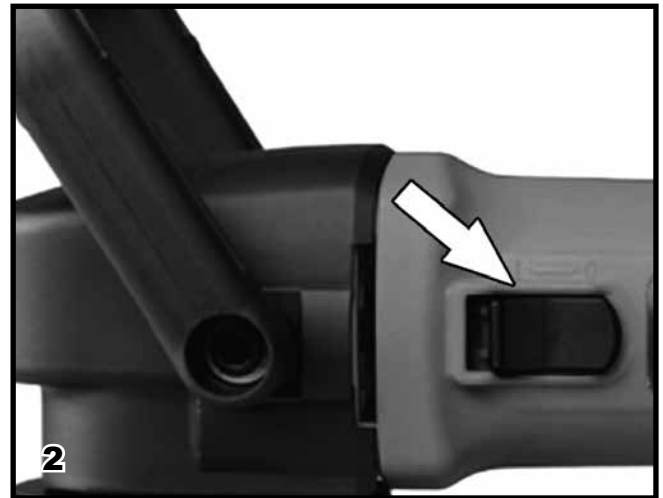
▶ Para além da garantia legal, a Werku® oferece uma garantia comercial adicional ▶ Esta garantia comercial cobre a reparação dos defeitos resultantes de erros nos materiais ou na fabricação ▶ Para isso é imprescindível que os defeitos ocorram dentro do período de validade ▶ O consumidor tem direito à reparação gratuita dos defeitos que a Werku® reconheça como incluídos na garantia comercial (custos de envio, mão de obra e materiais incluídos), cabendo à Werku®, optar pela reparação da escada

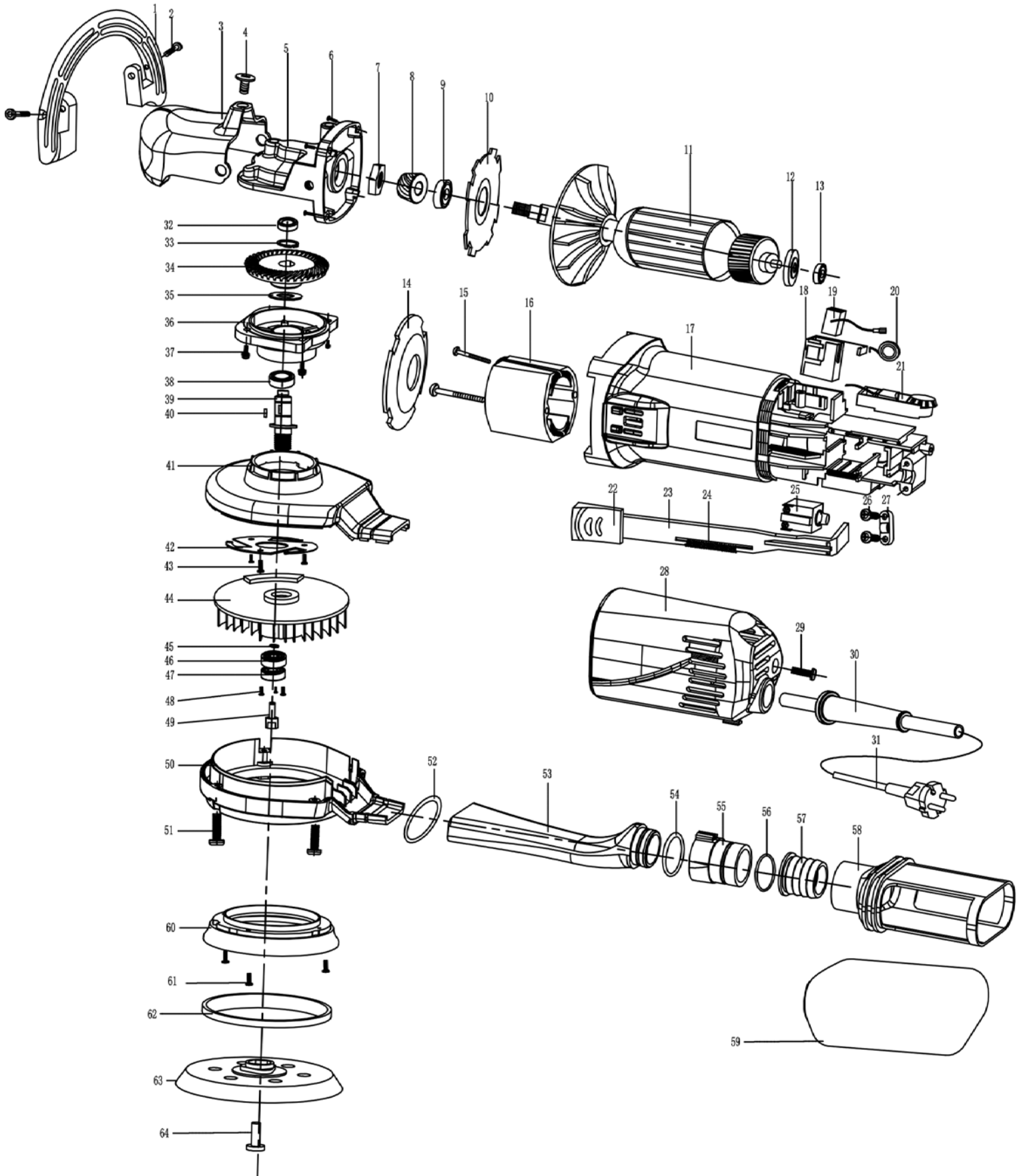
defeituoso ou pela substituição (substituindo, se for necessário, por um modelo posterior) ► Esta garantia comercial não afecta os direitos do consumidor estabelecidos pela lei de acordo com a Directiva 1999/44/CE ► O período de validade desta garantia comercial é de 24 meses ► Caso o producto se destine a um uso profissional ou industrial, o período de validade é de 12 meses ► O período de validade começa na data de aquisição pelo primeiro consumidor ► Esta data está reflectida na factura ou ticket de compra ► A acção para reclamar o cumprimento desta garantia comercial prescreve seis meses a contar do fim do período de validade ► A reclamação em virtude desta garantia comercial deve apresentar-se ao distribuidor ou ao Serviço de Assistência Técnica ► Para isso é imprescindível apresentar esta garantia devidamente preenchida e selada pelo distribuidor, juntamente com a factura ou o ticket de compra ► Para qualquer informação referente a esta garantia comercial o comprador e/ou o distribuidor pode pôr-se em contacto com o Serviço de Assistência Técnica, através do telefone +34 981 648 119, ou por correio electrónico info@werku.com ► Ficam excluída desta garantia comercial os defeitos que tenham sido causados por peças desgastadas pelo uso ou outro tipo de desgaste natural, os defeitos causados pela inobservância ou incumprimento das instruções de uso e funcionamento, ou de aplicações não conformes com o uso a que se destina este producto, ou de factores ambientais anormais, ou de sobrecarga, ou de manutenção ou limpeza inadequadas, defeitos causados pelo uso de acessórios, complementos ou peças de substituição que não sejam peças originais da Werku®, o producto total ou parcialmente desmontado, modificado ou reparado por pessoal alheio ao Serviço de Assistência Técnica o as irregularidades mínimas e irrelevantes para o uso e funcionamento adequado ► As reparações e substituições não prolongam nem renovam o prazo de validade desta garantia comercial ► As peças substituídas passam a ser propriedade da Werku® ► Se o comprador enviar o producto para o Serviço de Assistência Técnica, não cumprindo

as condições desta garantia comercial, as despesas e riscos de transporte correm a cargo do comprador ► Esta garantia comercial é válida dentro do território da União Europeia ► A empresa responsável pelo cumprimento desta garantia comercial da Werku® é Rico-Yáñez SA.

ASSESSORAMENTO TÉCNICO.

► A Werku® põe a sua disposição seu departamento técnico para resolver qualquer dúvida que possa surgir sobre seus produtos ► Em caso que deseje estabelecer contacto com nossa equipe, remeta um correio eletrónico à direção info@werku.com.











GUARANTEE

►Service under guarantee is only provided upon presentation of this signed and stamped guarantee, together with the invoice or receipt.

GARANTÍA

►Para hacer uso del servicio de garantía es imprescindible la presentación de esta garantía debidamente cumplimentada y sellada, junto con la factura o ticket de compra.

GARANTIE

►Service unter Garantie ist nur versehen bei Vorlage dieses unterzeichneten und abgestempelten Garantie, zusammen mit der Rechnung oder Quittung.

GARANTIE

►Service sous garantie est fournie uniquement sur présentation de la garantie signée et cachetée, avec la facture ou le reçu.

GARANTIE

►Service onder garantie wordt alleen verstrekt op vertoon van deze getekende en gestempelde garantie, samen met de factuur of kassabon.

GARANTIA

►A assistência técnica em garantia so e prestada mediante a prestação desta garantia devidamente cumprimentada e selada, junto com a fatura ou ticket de compra.

ITEM NUMBER
NÚMERO ARTÍCULO
ARTIKELNUMMER
NUMÉRO D'ARTICLE
ARTIKELNUMMER
NÚMERO ARTIGO

WK400100

DATE OF PURCHASE
FECHA DE COMPRA
KAUFDATUM
DATE D'ACHAT
DATUM VAN AANKOOP
DATA DE COMPRA

_____ / _____ / _____

DISTRIBUTOR STAMP
SELLO DISTRIBUIDOR
VERTRIEBER STEMPEL
DISTRIBUTEUR CACHET
DEALER STEMPEL
CARIMBO DISTRIBUIDOR

