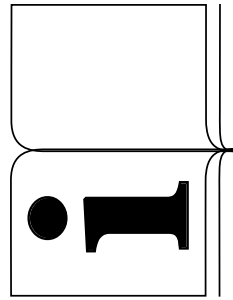


WERKU[®]



ENG ORIGINAL INSTRUCTIONS / AIRLESS ELECTRIC EQUIPMENT
ESP INSTRUCCIONES ORIGINALES / EQUIPO ELÉCTRICO AIRLESS
DEU ORIGINALANLEITUNGEN / AIRLESS ELECTRO-AUSRÜSTUNG
FRA INSTRUCTIONS ORIGINALES / ÉQUIPEMENT ÉLECTRIQUE AIRLESS
NED ORIGINELE INSTRUCTIES / AIRLESS ELECTRO UITRUSTING
POR INSTRUÇÕES ORIGINAIS / EQUIPAMENTO ELÉTRICO AIRLESS

1.4 L - 0.7 HP - 0.019 " - MAX 205 BAR

WK500500

CE DECLARATION CONFORMITY.

► Werku® declares that the **WK500500** airless electric equipment is in accordance with the European Directives and Standards 2006/42/CE, 2006/95/CE, EN12621:2006+A1:2010 and EN60204-1:2006+A1.

La Coruña, 01/08/2019
R Yáñez
Werku Tools SA

TECHNICAL CHARACTERISTICS.

► Voltage-frequency 230V~50Hz ► Power 0.7HP / 500W ► Protection index IP23 ► Working pressure 120-170 bar ► Maximum pressure 205 bar ► Thread NPS 1/4" ► Flow 1.4 l/min⁻¹ ► Tip diameter ≤ 0.019" ► Working temperature 5-40°C ► Hose length 7.5 m ► Net weight 8.5 kg ► Acoustic pressure LpA ≤ 89 dB(A) ► Acoustic pressure LwA ≤ 90.82 dB(A) ► Vibration Aw ≤ 0.715 m/s².

SAFETY INSTRUCTIONS.

► Read all security warnings and all instructions
► Failure to follow all warnings and instructions listed below may result in electrical shock, fire and/or serious injury ► Keep all warnings and all instructions for future reference ► Accidents can be avoided in many cases by recognizing a potentially hazardous situation before it occurs and by observing appropriate safety procedures ► Do not use this airless electric equipment for other applications than those specified in this manual.

WORK AREA SAFETY.

► Keep work area clean and well lit ► Cluttered and dark areas invite accidents ► Do not handle electric equipments in explosive atmospheres, such as in the presence of flammable liquids, gases or dusts ► Keep away from children and curious while operating a electric equipment ► Distractions can cause you to lose control.

PERSONAL SAFETY.

► Stay alert, watch what you are doing and use common sense when operating a electric equipment ► Do not use a electric equipment while tired or under the influence of drugs, alcohol or medicines ► A moment of inattention while operating electric equipments may cause damage serious personal.

USE PPE'S.

► Use protection glasses according EN166 ► Use protection masks according EN149 ► Use hearing protectors according EN352 ► If required by the type of work, use other precise PPE.

DO NOT WORK ON TIPTOES.

► Keep your feet on the ground and balance at all times ► This enables better control of the electric equipment in unexpected situations.

DRESS PROPERLY.

► Do not wear loose clothing or jewelry ► Keep your hair, clothing and gloves away from moving parts ► Loose clothes, jewelry or long hair can be caught in moving parts ► If there are devices for connecting means for extracting and collecting dust, make sure they are connected and properly used ► The use of these devices can reduce dust related hazards.

ELECTRICAL SAFETY.

► The plug of the electric equipment must match with the base of the socket ► Never modify the plug in any way ► Do not use any adapter plug with earthed electric equipments ► Unmodified plugs and matching bases will reduce the risk of electric shock ► Avoid body contact with grounded surfaces such as pipes, radiators, cookers and refrigerators ► There is an increased risk of electric shock if your body is grounded ► Do not expose electric equipments to rain or wet conditions ► Water entering the electric equipment will increase the risk of electric shock.

DO NOT ABUSE THE CORD.

► Never use the cord to carry, lift or unplug the electric equipment ► Keep the cord away from heat, oil, sharp edges or moving parts ► Damaged or entangled cords increase the risk of electric shock ► When operating a electric equipment outdoors, use an extension cord suitable for outdoor use ► The use of an extension cord suitable for outdoor use reduces the risk of electric shock ► If the use of a electric equipment in a damp location is unavoidable, use a power protected by a residual current device (RCD) ► The use of an RCD reduces the risk of electric shock.

AVOID ACCIDENTAL STARTING.

► Make sure the switch is in "off" position before connecting to the network, or when taking or carrying the electric equipment ► Carrying electric equipments with your finger on the switch or plugging in electric equipments that have the switch in "on" position invites to accidents ► Remove keys or tools before starting the electric equipment ► A left key or tool attached to a rotating part of a electric equipment can cause personal injury.

USE AND CARE OF ELECTRIC EQUIPMENTS.

► Do not force the electric equipment ► Use the correct electric equipment for your application ► The

correct electric equipment will do the job better and safer at the rate for which it was conceived ▶ Do not use the electric equipment if the switch cannot be positioned to “off” and “on” position ▶ Any electric equipment that cannot be controlled with the switch is dangerous and must be repaired ▶ Remove the plug from the power supply and/or battery before making any adjustments, changing accessories or storing the electric equipment ▶ Such preventive safety measures reduce the risk of starting the electric equipment accidentally.

STORE ELECTRIC EQUIPMENTS.

▶ Store electric equipments out of reach of children and not allow the handling of electric equipments to people unfamiliar with the tools or these instructions ▶ Electric equipments are dangerous in the hands of untrained users.

MAINTENANCE.

▶ Check moving parts for misalignment or binding, there are no broken parts or other conditions that may affect the operation of electric equipments ▶ Electric equipments are repaired before use when they are damaged ▶ Many accidents are caused by poorly maintained electric equipments ▶ Use electric equipments, accessories and tool tips, etc. according to these instructions and in the manner provided for the particular type of electric equipment, taking into account the conditions work and work to develop ▶ The use of the electric equipment for applications other than those intended could result in a dangerous situation ▶ Please check your electric equipment serviced by a Werku® official repair service using only identical replacement parts ▶ This will ensure the safety of the electric equipment is maintained.

CHECK THE GOOD CONDITION OF THE AIRLESS ELECTRIC EQUIPMENT.

▶ Make sure that all the screws in the airless electric equipment are perfectly tightened ▶ In cold climates or when the airless electric equipment has not been used for a period, allow the airless electric equipment to warm up by leaving it to run empty for a few minutes, to ensure that all internal components are perfectly lubricated ▶ Make sure that the possible installed accessories are perfectly fitted in place.

BEFORE STARTING WORK.

▶ Make sure that the airless electric equipment is firmly supported before using ▶ Check that no one is standing beneath you when using the airless electric equipment in high areas ▶ Keep your hands away from all moving parts of the airless electric equipment.

DURING THE OPERATION.

▶ Do not leave the airless electric equipment operating without having it firmly fixed ▶ Only turn it on when you are sure you have full control over it ▶ Do not point the airless electric equipment at anyone while in use ▶ When operating the airless electric equipment will produce vibrations ▶ The screws may gradually come loose, and possibly cause faults or accidents ▶ Keep your hands away from all moving parts of the airless electric equipment.

AT FINISH WORKING.

▶ Do not touch the possible accessories installed in the airless electric equipment after use ▶ It may be hot and cause burns ▶ Some materials worked with may contain chemicals or toxic components ▶ Avoid inhaling these substances or allowing them to come into contact with your skin ▶ Use PPE designed to prevent and protect against incidents of this kind.

HIGH-PRESSURE HOSE SAFETY PRECAUTIONS.

▶ Attention, danger of injury by injection! ▶ Wear and tear and kinks as well as usage that is not appropriate to the purpose of the device can cause leakages to form in the high-pressure hose ▶ Liquid can be injected into the skin through a leakage ▶ High-pressure hoses must be checked thoroughly before they are used ▶ Replace any damaged high-pressure hose immediately ▶ Never repair defective high-pressure hoses yourself! ▶ Avoid sharp bends and folds: the smallest bending radius is about 20 cm ▶ Do not drive over the high-pressure hose ▶ Protect against sharp objects and edges ▶ Never pull on the high-pressure hose to move the device ▶ Do not twist the high-pressure hose ▶ Do not put the high-pressure hose into solvents ▶ Use only a wet cloth to wipe down the outside of the hose ▶ Lay the high-pressure hose in such a way as to ensure that it cannot be tripped over ▶ Electrostatic charging of spray guns and the high-pressure hose is discharged through the high-pressure hose ▶ For this reason the electric resistance between the connections of the high-pressure hose must be equal or lower than 197 kΩ/m.

AIRLESS GUN SAFETY PRECAUTIONS.

▶ Be safety-conscious ▶ All local and national regulations governing ventilation, fire prevention, and operation must be observed ▶ Hazard: Injection injury ▶ A high pressure stream produced by this airless gun can pierce the skin and underlying tissues, leading to serious injury and possible amputation ▶ Do not treat an injection injury as a

simple cut ▶ Injection can lead to amputation ▶ See a physician immediately ▶ Inform the physician of the type of coating material or cleaning agent with which the injury was caused ▶ The maximum operating range of this airless gun is 250 Bar fluid pressure ▶ Never aim the airless gun at any part of the body ▶ Never allow any part of the body to touch the fluid stream ▶ Do not allow body to touch a leak in the fluid hose ▶ Never put hand in front of the airless gun ▶ Gloves will not provide protection against an injection injury ▶ Never point the airless gun at anyone else ▶ Always lock the airless gun trigger, shut the pump off and release all pressure before servicing, cleaning the tip or guard, changing tip, or leaving unattended ▶ Pressure will not be released by turning off the motor ▶ The prime/spray valve must be turned to prime to relieve the pressure ▶ Refer to the pressure relief pressure described in the pump manual ▶ Always keep the tip guard in place while spraying ▶ The tip guard provides some protection but is mainly a warning device ▶ Always remove the spray tip before flushing or cleaning the system ▶ The hose can develop leaks from wear, kinking and abuse ▶ A leak can inject material into the skin ▶ Inspect the hose before each use ▶ Never use an airless gun without a trigger lock and trigger guard in place and in good working order ▶ All accessories must be rated at or above the maximum operating pressure range of the airless gun ▶ This includes spray tips, extensions and hose ▶ Hazard: Explosion hazard due to incompatible materials will cause severe injury or property damage ▶ Do not use materials containing bleach or chlorine ▶ Do not use halogenated hydrocarbon solvents such as bleach, mildewcide, methylene chloride trichloroethane ▶ They are not compatible with aluminum ▶ Contact your coating material supplier about the compatibility of material with aluminum ▶ Hazard: General ▶ This airless gun can cause severe injury or property damage ▶ Read all instructions and safety precautions before operating this airless gun ▶ Never spray near sources of ignition; eg open flames, cigarettes (also cigars and pipes are sources of ignition), sparks, hot wires and hot surfaces, etc ▶ Wear respiratory equipment when spraying ▶ The operator must be provided with a protective mask ▶ In order to prevent work related illness, the manufacturer's regulations for the materials, solvents, and cleaning agents used must be observed when preparing, working with and cleaning the airless gun ▶ Protective clothing, gloves, eyewear, and, in certain cases, protective skin cream are necessary to protect the skin ▶ Follow the coating material and

solvent manufacturer's warnings and instructions ▶ Extraction equipment should be installed by the user in accordance with local regulations ▶ The objects being sprayed must be earthed ▶ Before each use, check all hoses for cuts, leaks, abrasion or bulging of cover ▶ Check for damage or movement of couplings ▶ Immediately replace the hose if any of these conditions exist ▶ Never repair a hose ▶ Replace it with another grounded high-pressure hose ▶ Pulling the trigger causes a recoil force to the hand that is holding the airless gun ▶ The recoil force of the airless gun is particularly powerful when the tip has been removed and a high pressure has been set on the airless high-pressure pump ▶ Therefore, when cleaning without tip set the pressure control valve to the lowest pressure ▶ Use only manufacturer authorized parts ▶ User assumes all risks and liabilities when using parts that do not meet the minimum specifications and safety devices of the airless gun manufacturer ▶ Hazard: Any static-electricity discharge from the airless gun is to be diverted to the grounded high-pressure pump via the conductive high-pressure hose as stipulated ▶ The maximum surface temperature corresponds to the permissible material temperature ▶ This and the permissible ambient temperature can be found in the technical data ▶ To avoid the generation of machine sparks, prevent impact stresses and any work on the unit with tools in the explosion-hazardous area.

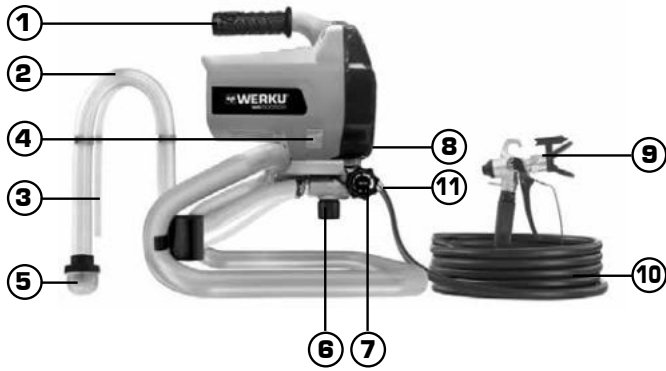
RESIDUAL RISKS.

▶ Residual risks are risks, which cannot be excluded, even when equipment is used for the intended purpose ▶ In such cases the applicable areas of the actual residual risks will be pointed out using warning and/or prohibition signs.

Risk	Source / Cause	Impact	Preventative measures	Can occur during:
Injection injury	Atomized, high pressure stream of fluid	Severe injury or amputation	NEVER aim the gun at any part of the body	Setup, operation
Explosion or fire	Static electricity or sparks	Severe injury	Use well ventilated area. Ground de airless gun	Operation
Hazardous vapors	Hazardous vapors from spray material	Severe injury	Use well ventilated area. Use mask	Operation

DESCRIPTION OF THE PRODUCT.

▶ The airless electric equipment has been designed for the high pressure atomization of liquid coating materials ▶ Refer to this plan to familiarize yourself with the airless electric equipment before use.



1. Carry handle.
2. Suction hose.
3. Return hose.
4. On/off switch.
5. Inlet filter.
6. Inlet valve pusher.
7. Pressure regulator.
8. Prime/spray selector.
9. Airless gun.
10. Airless hose.
11. Hose connection.

USE INSTRUCTIONS.

► Before starting up the airless electric equipment, we recommend that you carefully read all of the instructions as indicated ► Please respect all regulations regarding the prevention of accidents, health and safety directives, laws and applicable restrictions for work places ► The airless electric equipment must only be used by persons who have been instructed in its use and only for the purposes for which it has been designed.

POWER SUPPLY.

► Make sure the power supply is adapted to the requirements shown on the information panel of the airless electric equipment (1) ► Using the motor at low voltage will make it operate slowly ► This will reduce performance and may cause the motor to overheat.

EXTENSION CORD.

► If the working area is at some distance from the power supply, use an extension cord of enough diameter and quality.

EARTH CONNECTION.

► The airless electric equipment must be connected to earth while being used to protect the operator from possible electrical shocks.

PRIME/SPRAY

► This switch toggles the unit between the “priming” and “spraying” mode (2).

NOZZLE.

► The nozzle is reversible and removable to make cleaning and unclogging easier ► Turn to “spray” position to use the airless gun (3) ► Turn to the opposed position to clean the nozzle (4).

PRESSURE CONTROL KNOB.

► The pressure control knob can be adjusted for high pressure spraying, low pressure spraying, priming/cleaning and rolling ► To set the function, align the pressure control knob with indicator on the housing (5).

INSTALLATION.

► Remove or cover objects that you want to protect from overspray (paint mist) ► Attach paint hose to paint hose outlet and tighten with wrench (6) ► Attach paint hose to airless gun and tighten with two wrenches (7) ► Turn pressure control knob to “low pressure spray” setting (8).

RELIEVE PRESSURE.

► Turn power switch “off” and unplug unit from outlet (9) ► Turn “prime/spray” switch to “prime” mode to safely release most pressure (10) ► Point airless gun into paint pail and activate the airless gun trigger to relieve an remaining pressure (11) ► Note: Always set to “prime” mode between uses.

PRIME AIRLESS GUN.

► This procedure is used for first time operation and also to flush storage fluids out of the airless gun ► For oil-based paint, flush with mineral spirits followed by warm clean water ► Warning! to prevent fire: When using mineral spirits, ground airless gun by holding it against a metal container while flushing ► For water-based (latex) paint, flush with warm clean water.

PRIME AND STARTUP.

► Separate smaller priming tube from suction tube (12) ► Place priming tube in waste bucket (13) ► Submerge suction tube in water or flushing solvent (14) ► Turn “prime/spray” switch to “prime” mode (10) ► Adjust pressure control knob to “prime/clean” setting (15) ► Plug in the unit and turn “on” power (16) ► The unit will start pumping and water or flushing solvent as well as air bubbles will be purged from system ► Let fluids discharge from priming tube into waste bucket for 30 to 60 seconds then switch power to “off” (9) ► Important: If solvent will not flow through hoses, try pressing the red inlet release button underneath the pump to loosen the inlet check ball (17) ► Remove suction tube from water or flushing solvent and submerge in paint pail (18) ► Switch

power to “on” (16) ▶ Paint should work itself from suction tube to the unit to priming tube until paint discharges from priming tube ▶ Switch power to “off” (9) ▶ Remove the priming tube from the waste bucket and clip to suction tube and submerge in paint pail (19) ▶ Switch power to “on” (16) ▶ Point airless gun into waste bucket and pull trigger (11) ▶ Turn “spray/prime” switch to “spray” mode and continue to spray into waste bucket (20) ▶ Stop spraying If the motor stops, means that the pump and tubes are primed ▶ If it does not stop, repeat priming steps ▶ Start painting.

PAINT.

▶ Before painting, ensure the the unit has been primed and verify that nozzle tip is aligned properly ▶ Remove or cover objects that you want to protect from overspray and paint mist ▶ Once primed, adjust nozzle to “spray” setting (3) ▶ Start spraying at the lowest setting on the pressure control knob and increase pressure as needed by turning clockwise to create a good spray pattern (21) ▶ Practice the painting techniques that follow on a scrap workpiece before painting your workpiece.

PAINTING TECHNIQUES.

▶ Before painting, ensure the the unit has been primed and verify that nozzle tip is aligned properly ▶ Keep the airless gun approximately 30 cm from the surface ▶ Keep airless gun straight and move arm across at a steady rate while staying 30 cm from the surface (22) ▶ Do not fan the airless gun or paint will be uneven (23) ▶ Overlap strokes by half, always aim stroke at bottom edge of last stroke (24).

CLEARING AIRLESS GUN TIP.

▶ Occasionally, the airless gun tip will become clogged with paint ▶ Follow these instructions to clear airless gun tip ▶ Switch power to “off” (9) ▶ Adjust nozzle to “clean/eject” setting (4) ▶ Turn “spray/prime” switch to “spray” mode (20) ▶ Turn power to “on” (16) ▶ Spray into waste bucket until clog clears (11) ▶ Release trigger ▶ Adjust nozzle to “spray” mode (3).

CLEANING.

▶ Turn power off and turn “prime/spray” switch to “prime” mode to relieve pressure (10) ▶ Unthread airless gun tip and remove (25) (26) ▶ Relieve pressure and drain paint from tubes (27) ▶ Separate tubes (12) ▶ Place priming tube in empty waste bucket (13) ▶ Submerge suction tube in water or flushing fluid (14) ▶ Plug in the

unit and turn “on” power (16) ▶ The unit will start pumping and water or flushing solvent as well as air bubbles will be purged from system ▶ Let fluids discharge from priming tube into waste bucket until fluid is clear (28) ▶ After fluid in priming tube is clear, switch power to “off” (9) ▶ Turn “spray/prime” switch to “spray” mode (20) ▶ Switch power to “on” (16) ▶ Paint into paint pail (29) ▶ Change to waste bucket as paint thins (30) ▶ Turn “prime/ spray” switch to “prime” mode (10) ▶ Continue to flush until clear (31) ▶ Release trigger, turn power “off” and relieve pressure (9, 10, 11) ▶ Remove the trigger guard from housing (32) ▶ Unscrew nut from housing, it is behind the swivel connector (33) ▶ Remove filter (34) ▶ Clean all parts in warm, soapy water or flushing fluid with a bristled brush (35).

STORAGE.

▶ When cleaning for long term storage (more than 48 hours). it is important that the unit is not stored with any water or water-based material left in the pump, hose, tubes, or airless gun ▶ This will corrode the product ▶ Is very important clean the the unit before storage ▶ Remove paint hose if not already removed (36) ▶ Turn the unit over and loosen the clamps from both tubes, then disconnect tubes from the pump body (37) ▶ Add about 30 millilitres of light household oil or a pump storage product into each inlet (38) ▶ Turn “prime/ spray” switch to “spray” (20) ▶ Turn pressure control knob to “low pressure spray” (8) ▶ Hold a rag over the paint hose outlet (39) ▶ Switch power to “on” for five seconds, then turn the power to “off” (40) ▶ Turn “prime/spray” switch to “prime”, this will keep storage fluids in the unit (10) ▶ Replace the tubes and secure with the clamps (41) ▶ Wipe the the unit with a clean cloth ▶ Store in a clean dry location out of reach of children.

MAINTENANCE.

▶ The airless electric equipment has been designed for a long working life with minimum maintenance ▶ Optimum use depends on correct care of the airless electric equipment and regular cleaning ▶ To prevent accidents, always unplug the airless electric equipment from the power source before cleaning or performing any maintenance ▶ The airless electric equipment may be cleaned effectively using compressed air after each use ▶ If compressed air is not available, use a brush to remove dust from the airless electric equipment ▶ Motor ventilation vents and switch levers must be kept clean and

free of foreign matter ▶ Do not attempt to clean by inserting pointed objects through openings ▶ Certain cleaning agents and solvents damage plastic parts, among them are gasoline, carbon tetrachloride, chlorinated cleaning solvents, ammonia and household cleaners containing ammonia ▶ Do not use any of these to clean the airless electric equipment ▶ Should excessive sparking occur, have a Werku® official repair service exam and/or replace the carbon brushes.

ENVIRONMENT PROTECTION.

▶ The materials and components that have been used to manufacture this product can be re-used and recycled ▶ Werku® is adhered to an Integrated Management System that is in charge of the correct elimination of the residues of this product ▶ Do not eliminate this product with domestic residues ▶ Werku® offers to its clients a free collection service of these residues through any of its sale points, or in the collection points established by the Integrated Management System or in the recycling point of your locality.

WARRANTY AND TECHNICAL SERVICE.

▶ Apart from the legal guarantee, Werku® offers an additional commercial guarantee ▶ This commercial guarantee covers the repair of all defects found due to faults in the materials or manufacture ▶ For this cover to be effective it is necessary for these defects to appear within the validity period ▶ The consumer is entitled to free repair of all defects that Werku® recognises as included in the commercial guarantee (shipping costs, labour costs and materials included) as chosen by Werku®, either via the repair or by replacement (if necessary with a later model) ▶ This commercial guarantee does not affect consumer's rights established by law according to Directive 1999/44/CE ▶ This commercial guarantee is valid for 24 months ▶ If this product is destined for professional or industrial use, the validity period is 12 months ▶ The validity period starts on the date of purchase by the first consumer ▶ This date is shown on the invoice or receipt of purchase ▶ Actions for claims against this commercial guarantee expire six months from the end of the validity period ▶ Any claims arising from this commercial guarantee must be presented to the distributor or the Technical Assistance Service ▶ To do so you must present this guarantee correctly completed and stamped by the distributor, together with the sale invoice

or receipt ▶ In order to require any information in relation to this commercial guarantee, the buyer and/or distributor may contact the Technical Assistance Service by telephone on +34 981 648 119, or by e-mail at info@werku.com ▶ This commercial guarantee does not cover defects caused by parts that have worn out from use other types of natural wear, defects caused by failure to observe the instructions for use and operation, or for applications other than those for which this product is intended, abnormal environmental factors, overloading, or unsuitable maintenance or cleaning, faults caused by the use of spare parts, accessories or replacements that are not original Werku® parts, if the product has been totally or partially disassembled, modified or repaired by personnel other than that of the Technical Assistance Service or minimum and irrelevant irregularities for suitable use or operation ▶ Repairs and replacements will not extend or renew the validity period of this commercial guarantee ▶ The replaced parts will become the property of Werku® ▶ If the buyer sends the product to the Technical Assistance Service, and it fails to comply with the conditions of this commercial guarantee, all expenses and transportation risks shall be paid by the buyer ▶ This commercial guarantee is only valid within the territory of the European Union ▶ The company responsible for the compliance of this Werku® commercial guarantee is Werku Tools SA.

TECHNICAL ADVICE.

▶ The technical department of Werku® is at your disposal to resolve any questions you may have regarding to its products ▶ If you wish to contact our team, send an e-mail to info@werku.com.

DECLARACIÓN CONFORMIDAD CE.

► Werku® declara que el equipo eléctrico airless **WK500500** cumple las Directivas y Normativas Europeas 2006/42/CE, 2006/95/CE, EN12621:2006+A1:2010 y EN60204-1:2006+A1.

La Coruña, 01/08/2019

R Yáñez

Werku Tools SA

CARACTERÍSTICAS TÉCNICAS.

► Voltaje-frecuencia 230V~50Hz ► Potencia 0.7HP / 500W ► Índice de protección IP23 ► Presión trabajo 120-170 bar ► Presión máxima 205 bar ► Rosca NPS 1/4" ► Caudal 1.4 l/min⁻¹ ► Diámetro boquilla ≤ 0.019" ► Temperatura trabajo 5-40°C ► Largo manguera 7.5 m ► Peso neto 8.5 kg ► Presión acústica LpA ≤ 89 dB(A) ► Presión acústica LwA ≤ 90.82 dB(A) ► Vibración Aw ≤ 0.715 m/s².

INSTRUCCIONES DE SEGURIDAD.

► Lea todas las advertencias de seguridad y todas las instrucciones ► La no observación de todas las advertencias e instrucciones relacionadas a continuación puede dar como resultado un choque eléctrico, fuego y/o una lesión seria ► Guarde todas las advertencias y todas las instrucciones para una referencia futura ► Los accidentes podrán evitarse en muchos casos dándose cuenta de una situación peligrosa antes de que se produzca, y observando fielmente los procedimientos de seguridad apropiados ► No utilice nunca este equipo eléctrico airless para aplicaciones que no sean las especificadas en este manual.

SEGURIDAD DEL AREA DE TRABAJO.

► Mantenga el área de trabajo limpia y bien iluminada ► Las áreas desordenadas y oscuras provocan accidentes ► No maneje equipos eléctricos en atmósferas explosivas, tales como en presencia de líquidos, gases o polvos inflamables ► Mantenga alejados a los niños y curiosos mientras maneja una equipo eléctrico ► Las distracciones pueden causarle la pérdida del control.

SEGURIDAD PERSONAL

► Esté alerta, vigile lo que está haciendo y use el sentido común cuando maneje un equipo eléctrico ► No use un equipo eléctrico cuando esté cansado o bajo la influencia de drogas, alcohol o medicamentos ► Un momento de distracción

mientras maneja equipos eléctricos puede causar un daño personal serio.

USE EPIS.

► Use gafas de protección según EN166 ► Use mascarilla de protección según EN149 ► Use protectores auditivos según EN352 ► Si el tipo de trabajo a realizar lo requiere, utilice otros EPIS precisos.

NO TRABAJE DE PUNTILLAS.

► Mantenga los pies bien asentados sobre el suelo y conserve el equilibrio en todo momento ► Esto permite un mejor control del equipo eléctrico en situaciones inesperadas.

VISTA ADECUADAMENTE.

► No vista ropa suelta o joyas ► Mantenga su pelo, su ropa y guantes alejados de las piezas en movimiento ► La ropa suelta, las joyas o el pelo largo pueden ser cogidos en las piezas en movimiento ► Si hay dispositivos para la conexión de medios de extracción y recogida de polvo, asegúrese de que éstos estén conectados y se usen correctamente ► El uso de estos dispositivos puede reducir los riesgos relacionados con el polvo.

SEGURIDAD ELÉCTRICA.

► La clavija del equipo eléctrico debe coincidir con la base de la toma de corriente ► No modificar nunca la clavija de ninguna manera ► No usar ningún adaptador de clavijas con equipos eléctricos puestos a tierra ► Clavijas no modificadas y bases coincidentes reducirán el riesgo de choque eléctrico ► Evite el contacto del cuerpo con superficies puestas a tierra como tuberías, radiadores, cocinas eléctricas y refrigeradores ► Hay un riesgo aumentado de choque eléctrico si su cuerpo está puesto a tierra ► No exponga los equipos eléctricos a la lluvia o a condiciones de humedad ► El agua que entre en el equipo eléctrico aumentará el riesgo de choque eléctrico.

NO ABUSE DEL CABLE.

► No usar nunca el cable para llevar, levantar o desenchufar el equipo eléctrico ► Mantenga el cable lejos del calor, aceite, cantos vivos o piezas en movimiento ► Los cables dañados o enredados aumentan el riesgo de choque eléctrico ► Cuando maneje un equipo eléctrico en el exterior, use una prolongación de cable adecuada para uso

en el exterior ► El uso de una prolongación de cable adecuada para uso en el exterior reduce el riesgo de choque eléctrico ► Si el uso de un equipo eléctrico en un lugar húmedo es inevitable, use una alimentación protegida por un dispositivo de corriente residual (RCD) ► El uso de un RCD reduce el riesgo de choque eléctrico.

EVITE UN ARRANQUE ACCIDENTAL.

► Asegúrese de que el interruptor está en posición "off" antes de conectar a la red, o al coger o transportar el equipo eléctrico ► Transportar equipos eléctricos con el dedo sobre el interruptor o enchufar equipos eléctricos que tienen el interruptor en posición "on" invita a accidentes ► Retire llaves o herramientas antes de arrancar el equipo eléctrico ► Una llave o herramienta dejada unida a una pieza rotativa de un equipo eléctrico puede causar un daño personal.

UTILIZACIÓN Y CUIDADOS DE LOS EQUIPOS ELÉCTRICOS.

► No fuerce el equipo eléctrico ► Use el equipo eléctrico correcto para su aplicación ► El equipo eléctrico correcto hará el trabajo mejor y más seguro al ritmo para la que fue concebido ► No use el equipo eléctrico si el interruptor no se puede posicionar en "off" y "on" ► Cualquier equipo eléctrico que no pueda controlarse con el interruptor es peligroso y debe repararse ► Desenchufe la clavija de la fuente de alimentación y/o de la batería antes de efectuar cualquier ajuste, cambio de accesorios, o de almacenar los equipos eléctricos ► Tales medidas preventivas de seguridad reducen el riesgo de arrancar el equipo eléctrico accidentalmente.

ALMACENE LOS EQUIPOS ELÉCTRICOS.

► Almacene los equipos eléctricos inactivos fuera del alcance de los niños y no permita el manejo de el equipo eléctrico a personas no familiarizadas con los equipos eléctricos o con estas instrucciones ► Los equipos eléctricos son peligrosos en manos de usuarios no entrenados.

MANTENIMIENTO.

► Compruebe que las partes móviles no estén desalineadas o trabadas, que no haya piezas rotas u otras condiciones que puedan afectar el funcionamiento de los equipos eléctricos ► Los equipos eléctricos se reparan antes de su uso, cuando están dañadas ► Muchos accidentes son causados por equipos eléctricos pobremente mantenidos ► Use el equipo eléctrico y accesorios

de acuerdo con estas instrucciones y de la manera prevista para el tipo particular de equipos eléctricos, teniendo en cuenta las condiciones de trabajo y el trabajo a desarrollar ► El uso de equipos eléctricos para aplicaciones diferentes de las previstas podría causar una situación de peligro ► Haga revisar su equipo eléctrico por un servicio oficial de reparación Werku® usando solamente piezas de recambio idénticas ► Esto garantizará que la seguridad del equipo eléctrico se mantiene.

VIGILE EL BUEN ESTADO DEL EQUIPO ELÉCTRICO AIRLESS.

► Revise que todos los tornillos del equipo eléctrico airless estén perfectamente apretados ► En climas fríos o cuando el equipo eléctrico airless haya estado sin uso durante largo tiempo, deje que el equipo eléctrico airless se caliente un poco haciéndolo funcionar en vacío unos minutos para permitir una perfecta lubricación de los componentes internos ► Asegúrese de que los posibles accesorios instalados están perfectamente asentados en su posición.

ANTES DE EMPEZAR A TRABAJAR.

► Asegúrese siempre antes de utilizar el equipo eléctrico airless que se encuentra firmemente apoyado ► Compruebe que nadie se encuentra bajo la zona de influencia del equipo eléctrico airless cuando lleve a cabo trabajos en zonas elevadas ► Aleje las manos de las partes en movimiento del equipo eléctrico airless.

DURANTE EL FUNCIONAMIENTO.

► No deje el equipo eléctrico airless funcionando sin tenerlo bien sujeto ► Hágalo funcionar cuando esté seguro de que lo tiene plenamente controlado ► No apunte con el equipo eléctrico airless a nadie durante su funcionamiento ► Durante la operación, el equipo eléctrico airless puede producir vibración ► Los tornillos pueden ir aflojándose progresivamente pudiendo causar una avería o accidente ► Aleje las manos de las partes en movimiento del equipo eléctrico airless.

AL TERMINAR DE TRABAJAR.

► No toque los accesorios instalados en el equipo eléctrico airless tras su uso ► Pueden estar muy calientes y causar quemaduras ► Algunos materiales sobre los que se trabaja pueden contener químicos o componentes que pueden ser tóxicos ► Tenga cuidado para prevenir la inhalación de estas sustancias o el contacto con la piel ► Utilice EPIs diseñados para prevenir y protegerse de dichas incidencias.

PRECAUCIONES SEGURIDAD MANGUERA DE

ALTA PRESIÓN.

► ¡Atención, riesgo de lesiones mediante inyección! ► Como consecuencia de desgaste, dobleces y un uso inapropiado se pueden formar fugas en la manguera de alta presión ► A través de una fuga se puede inyectar líquido en la piel ► Comprobar atentamente la manguera de alta presión antes de cada uso ► Sustituir inmediatamente la manguera de alta presión dañada ► ¡No repare nunca usted mismo una manguera de alta presión defectuosa! ► Evitar doblarla o plegarla demasiado, radio de flexión mínimo, aprox. 20 cm ► No pasar por encima de la manguera de alta presión, protegerla contra contactos con objetos agudos y cantos cortantes ► No tirar nunca de la manguera de alta presión para desplazar el equipo ► No torcer la manguera de alta presión ► No sumergir la manguera de alta presión en disolventes ► Limpiar el exterior únicamente con un paño empapado ► Tender la manguera de alta presión de manera que no pueda representar un riesgo de tropiezo ► La carga electrostática de la pistola pulverizadora y la manguera de alta presión se desvía a través de la manguera de alta presión ► Por esta razón, la resistencia eléctrica entre las conexiones de la manguera de alta presión tiene que ser igual o inferior a 197 kΩ/m.

PRECAUCIONES SEGURIDAD PISTOLA AIRLESS.

► Preocúpese por la seguridad ► Deben cumplirse todos los reglamentos locales y nacionales relativos a ventilación, prevención de incendios y funcionamiento ► Peligro: Lesión causada por inyección ► La corriente a alta presión que produce esta pistola airless puede perforar la piel y tejidos subcutáneos, pudiendo provocar graves lesiones y posibles amputaciones ► Vea a un médico inmediatamente ► No trate una lesión causada por inyección como un simple corte ► La inyección puede provocar amputaciones ► Informe al médico del tipo de material o producto de limpieza con el que se ha producido la lesión ► La gama máxima de funcionamiento de la pistola airless es de 250 Bar de presión de líquido ► Nunca dirija la pistola airless a ninguna parte del cuerpo ► Nunca toque con ninguna parte del cuerpo la corriente de líquido ► No toque con ninguna parte del cuerpo ninguna fuga en la manguera ► Nunca ponga la mano

delante de la pistola airless ► Los guantes no serán protección suficiente contra una lesión por inyección ► Nunca apunte con la pistola airless hacia nadie ► Ponga siempre el seguro del gatillo de la pistola airless, cierre la bomba y libere toda la presión antes de realizar labores de mantenimiento y reparación, limpiar la boquilla o el protector, cambiar la boquilla o dejar de usarla ► La presión no se descargará apagando el motor ► La válvula prime/spray (cebar/pulverizar) debe estar en prime para liberar la presión ► Consulte el procedimiento para liberar la presión descrito en el manual de la bomba ► Mantenga siempre el protector de la boquilla en su sitio mientras pulveriza ► El protector de la boquilla ofrece cierta protección pero principalmente se trata de un dispositivo de advertencia ► Quite siempre la boquilla pulverizadora antes de enjuagar o limpiar la pistola airless ► En la manguera pueden aparecer fugas a causa del desgaste, de retorcimientos o de un mal uso ► Una fuga puede proyectar material hacia la piel ► Revise siempre la manguera antes de usarla ► Nunca use una pistola airless si el seguro del gatillo no funciona o si la protección del mismo no está en su sitio ► Todos los accesorios deben cumplir o superar las especificaciones nominales para la gama de presiones de funcionamiento del pulverizador a alta presión ► Esto incluye boquillas pulverizadoras, extensiones y manguera ► Peligro: El peligro de explosiones a causa de materiales incompatibles puede provocar lesiones graves o daños materiales ► No use materiales que contengan lejía o cloro ► No use disolventes de hidrocarburo halogenado, como, por ejemplo, lejía, fungicida, cloruro de metileno y tricloroetano ► No son compatibles con el aluminio ► Contacte con su proveedor para conocer la compatibilidad del material con el aluminio ► Peligro: General ► Pueden producirse lesiones graves o daños materiales ► Lea todas las instrucciones y precauciones de seguridad antes de utilizar la pistola airless ► No pulverice nunca cerca de fuentes de ignición, p. ej., llamas desnudas, cigarrillos (los puros y pipas también son fuentes de ignición), chispas, hilos y superficies calientes, etc ► Utilice equipo respiratorio cuando pulverice con la pistola airless ► Debe facilitarse al operario una mascarilla protectora ► Con el fin de evitar enfermedades relacionadas con el trabajo, debe cumplirse el reglamento del fabricante

relativo a los materiales, disolventes y productos de limpieza utilizados al preparar, utilizar y limpiar la pistola airless ▶ Es necesaria ropa de protección, guantes, gafas protectoras y, en ciertos casos, crema para proteger la piel ▶ Siga las instrucciones y advertencias del fabricante del material o disolvente ▶ El usuario debe instalar un equipo de extracción con arreglo a las normativas locales ▶ Deben ponerse a tierra los objetos sobre los que se va a pulverizar ▶ Cada vez que vaya a utilizar la pistola airless, compruebe antes todas las mangueras en busca de cortes, fugas, abrasión o bultos en la cubierta ▶ Compruebe el movimiento de los acoplamientos y si están dañados ▶ Sustituya inmediatamente una manguera si descubre alguna de estas anomalías ▶ No repare nunca una manguera ▶ Sustitúyala por otra manguera a alta presión puesta a tierra ▶ Al apretar el gatillo, la mano que sujeta la pistola airless experimenta una fuerza de retroceso ▶ La fuerza de retroceso de la pistola airless es especialmente fuerte cuando se quita la boquilla y se selecciona una presión alta para la bomba de alta presión ▶ Así pues, cuando vaya a limpiar la boquilla, ponga la válvula de control de presión al mínimo ▶ Emplee solamente piezas autorizadas por el fabricante ▶ El usuario asumirá todos los riesgos y toda la responsabilidad cuando utilice piezas que no cumplan con las especificaciones mínimas y dispositivos de seguridad del fabricante de la pistola airless ▶ Cualquier descarga electrostática de la pistola airless ha de desviarse a la bomba de alta presión puesta a tierra por medio de la manguera conductora de alta presión, tal como está estipulado ▶ La temperatura máxima de la superficie corresponde a la temperatura admisible del material ▶ Ésta y la temperatura ambiente admisible figuran en el capítulo datos técnicos ▶ Para que no se produzcan chispas de la pistola airless, evite esfuerzos de impacto y cualquier trabajo en el aparato con herramientas si se encuentra en una zona con riesgo de explosiones.

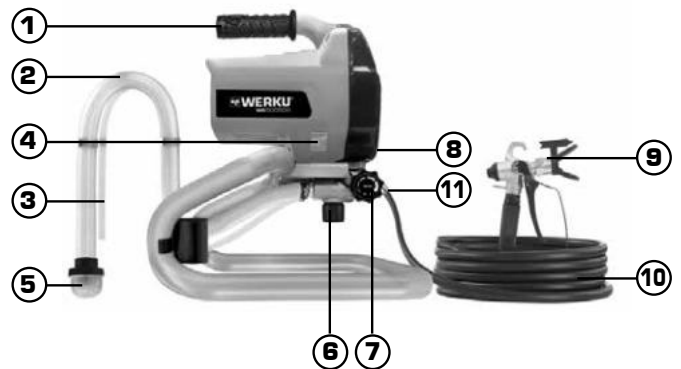
RIESGOS RESIDUALES.

▶ Los riesgos residuales son riesgos que no se pueden excluir, incluso cuando la pistola airless se usa para el propósito para el que fue diseñado ▶ En tales casos, las áreas correspondientes a áreas de riesgos residuales se indicarán por medio de señales de advertencia o de prohibición.

Riesgo	Fuente / causa	Impacto	Medidas preventivas	Se puede producir durante:
Lesión por inyección	Corriente de líquido atomizado a alta presión	Lesión grave o amputación	NUNCA apunte la pistola a ninguna parte del cuerpo	Configuración, funcionamiento
Explosión o incendio	Electricidad estática o chispas	Lesión grave	Use en área bien ventilada. Conecte la pistola a tierra	Operación
Vapores peligrosos	Vapores peligrosos del material de pulverización	Lesión grave	Use en área bien ventilada. Use una mascarilla	Operación

DESCRIPCIÓN DEL PRODUCTO.

▶ El equipo eléctrico airless ha sido diseñado para la atomización a alta presión de materiales líquidos para pintar ▶ Observe este esquema para familiarizarse con el equipo eléctrico airless antes de utilizarlo.



1. Asa transporte.
2. Manguera aspiración.
3. Tubo retorno.
4. Interruptor on/off.
5. Filtro entrada.
6. Pulsador válvula entrada.
7. Regulador presión.
8. Selector pulverizar/cebar.
9. Pistola airless.
10. Manguera airless.
11. Conexión manguera.

INSTRUCCIONES DE USO.

▶ Antes de efectuar la puesta en marcha del equipo eléctrico airless, es aconsejable leer completa y minuciosamente todas las instrucciones que se indican ▶ Asimismo, deberán tenerse en cuenta las normas para la prevención de accidentes, los reglamentos y directivas, las leyes y restricciones vigentes para los centros de trabajo ▶ El equipo eléctrico airless debe de ser utilizado únicamente por personas instruidas adecuadamente en su manejo y exclusivamente conforme a los fines previstos.

FUENTE DE ALIMENTACIÓN.

► Asegúrese de que la fuente de alimentación se ajusta a los requisitos especificados en la placa de datos del equipo eléctrico airless (1) ► Hacer funcionar el motor a bajo voltaje hará que éste opere lento ► Esto reducirá el rendimiento y puede causar que el motor se sobrecaliente.

CABLE DE PROLONGACIÓN.

► Cuando la zona de trabajo esté alejada de la fuente de alimentación, haga uso de un cable de prolongación de suficiente diámetro y calidad.

TOMA DE TIERRA.

► El equipo eléctrico airless deberá estar conectado a tierra mientras está siendo utilizado para proteger al operario de posibles descargas eléctricas.

PULVERIZAR/CEBAR.

► Este interruptor permite alternar entre los modos “cebar” y “pulverizar” (2).

BOQUILLA.

► La boquilla es reversible y extraíble para facilitar la limpieza y cualquier procedimiento de desobstrucción ► Gire la boquilla a la posición “spray” para utilizar la pistola airless (3) ► Gírela a la posición contrapuesta para limpiar la boquilla (4).

REGULADOR CONTROL PRESIÓN.

► El regulador de control de presión puede ajustarse para “pulverización alta presión”, “pulverización baja presión”, “cebar/limpiar” y “rodillo” ► Para elegir la función deseada, alinee el regulador de control de presión con el indicador ubicado en la carcasa (5).

INSTALACIÓN.

► Quite o cubra los objetos que desea proteger del rociado de pintura ► Conecte la manguera de pintura a la salida del equipo y ajústela con una llave (6) ► Conecte la manguera de pintura a la pistola airless y ajuste con dos llaves (7) ► Gire el regulador de control de presión a la configuración “pulverización baja presión” (8).

LIBERAR PRESIÓN.

► Gire el interruptor de alimentación a la posición “off” (apagado) y desenchufe la unidad de la toma de corriente (9) ► Coloque el conmutador “pulverizar

/ cebar” en la posición “cebar” (10) ► Apunte la pistola airless hacia la cubeta de pintura y active el gatillo para liberar presión (11) ► Nota: Cambie siempre al modo “cebar” entre usos.

CEBAR PISTOLA AIRLESS.

► Este procedimiento se utiliza la primera vez que se opera el equipo, y también para purgar los fluidos almacenados en la pistola airless ► Para pinturas a base de aceite, purgue con aguarrás y a continuación agua caliente limpia ► ¡Advertencia! Para evitar incendios: Cuando utilice aguarrás, conecte la pistola airless a tierra sosteniéndola contra un recipiente metálico mientras realiza la purga ► Para pinturas al agua (látex), purgue con agua caliente limpia.

CEBADO Y ARRANQUE.

► Separe el tubo de cebado más pequeño del tubo de succión (12) ► Coloque el tubo de cebado en un contenedor de residuos (13) ► Sumerja el tubo de succión en agua o en un solvente para purga (14) ► Coloque el conmutador “pulverizar/ cebar” en la posición “cebar” (10) ► Coloque el regulador de control de presión en la configuración “cebar/ limpiar” (15) ► Enchufe el equipo y enciéndalo (16) ► El equipo comenzará a bombear, y el agua o el solvente para purga, al igual que burbujas de aire, serán purgados del sistema ► Permita que los fluidos se descarguen del tubo de cebado al contenedor de residuos durante 30 a 60 segundos; luego, coloque el interruptor de alimentación en “off” (apagado) (9) ► Importante: Si el disolvente no fluye a través de las mangueras, intente presionar el botón rojo de liberación de la entrada, situado debajo de la bomba, para aflojar la bola de retención de entrada (17) ► Extraiga el tubo de succión del agua o el solvente para purga y sumérjalo en la cubeta de pintura (18) ► Coloque el interruptor de alimentación en “on” (encendido) (16) ► La pintura debería abrirse camino desde el tubo de succión al equipo y al tubo de cebado hasta que la pintura se descargue del tubo de retorno ► Coloque el interruptor de alimentación en “off” (9) ► Retire el tubo de cebado del contenedor de residuos, sujételo al tubo de succión y sumérjalo en la cubeta de pintura (19) ► Coloque el interruptor de alimentación en “on” (16) ► Apunte la pistola airless hacia el contenedor de residuos y accione el gatillo

(11) ► Coloque el conmutador “pulverizar / cebar” en la posición “pulverizar” y continúe pulverizando en el interior del contenedor de residuos (20) ► Pare de pulverizar ► Deje de pulverizar si el motor se detiene, significa que la bomba y los tubos están cebados ► Si no se detiene, repita los pasos de cebado ► Comience a pintar.

PINTAR.

► Antes de pintar, asegúrese de que el equipo ha sido cebado y verifique que la boquilla esté correctamente alineada ► Quite o cubra los objetos que desea proteger del rociado de pintura ► Una vez que el equipo esté cebado, ajuste la boquilla a la configuración “spray” (3) ► Comience a pulverizar en la configuración más baja del regulador de control de presión, y aumente la presión según sea necesario girando el regulador en el sentido de las agujas del reloj, para crear un buen patrón de rociado (21) ► Practique las técnicas de pintado mostradas a continuación en una pieza de trabajo de desecho antes de pintar su pieza de trabajo.

TÉCNICAS PINTADO.

► Antes de pintar, asegúrese de que el equipo haya sido cebado y verifique que la boquilla esté correctamente alineada ► Mantenga la pistola airless a aproximadamente a 30 cm de distancia de la superficie ► Mantenga la pistola airless derecha y mueva el brazo de un lado a otro a un ritmo fijo, mientras permanece a 30 cm de distancia de la superficie (22) ► No sacuda la pistola airless, o la pintura quedará despareja (23) ► Superponga cada capa de rociado por mitades; siempre apunte el rociado a la parte inferior de la última capa (24).

DESOBSTRUIR BOQUILLA PULVERIZACIÓN.

► Ocasionalmente, la boquilla de la pistola airless quedará obstruida con pintura ► Siga estas instrucciones para desobstruir la boquilla de la pistola airless ► Coloque el interruptor de alimentación en “off” (9) ► Coloque la boquilla en la posición “clean/eject” (4) ► Coloque el conmutador “pulverizar/cebar” en la posición “pulverizar” (20) ► Encienda el equipo (16) ► Pulverice en el interior de un contenedor de residuos hasta que la obstrucción desaparezca (11) ► Suelte el gatillo ► Coloque la boquilla en modo “spray” (3).

LIMPIEZA.

► Coloque el interruptor de alimentación en “off” y el conmutador “pulverizar / cebar” en la posición “cebar” (10) ► Desenrosque y extraiga la boquilla de pulverización (25) (26) ► Libere la presión y drene la pintura de los tubos (27) ► Separe los tubos (12) ► Coloque el tubo de cebado en un contenedor de residuos vacío (13) ► Sumerja el tubo de succión en agua o en un fluido para purga (14) ► Enchufe el equipo y enciéndalo (16) ► El equipo comenzará a bombear y el agua o el disolvente de lavado y las burbujas de aire se purgarán del sistema ► Deje que los fluidos se descarguen del tubo de cebado en el cubo de desecho hasta que el líquido esté limpio (28) ► Después de que el líquido en el tubo de cebado esté limpio, coloque el interruptor de alimentación en “off” (9) ► Coloque el conmutador “pulverizar/cebar” en la posición “pulverizar” (20) ► Coloque el interruptor de alimentación en “on” (16) ► Pulverice pintura en la cubeta de pintura (29) ► Cuando la pintura se diluya, cambie al contenedor de residuos (30) ► Coloque el conmutador “pulverizar/cebar” en la posición “cebar” (10) ► Continúe purgando hasta que quede limpio (31) ► Suelte el gatillo, apague el equipo y libere la presión (9, 10, 11) ► Extraiga el protector del gatillo de la carcasa (32) ► Desenrosque la tuerca detrás del conector giratorio (33) ► Extraiga el filtro (34) ► Limpie todas las piezas con agua caliente jabonosa o fluido para purga y un cepillo de cerdas (35).

ALMACENAMIENTO.

► Cuando realice una limpieza para un almacenamiento por un periodo prolongado (más de 48 horas), es importante no almacenar el equipo con restos de agua o materiales al agua en la bomba, manguera, tubos o pistola airless ► Esas sustancias causarán la corrosión del producto ► Es muy importante limpiar el equipo antes de almacenarlo ► Extraiga la manguera de pintura si aún no lo ha hecho (36) ► Dé vuelta la unidad y afloje las abrazaderas de ambos tubos; luego, desconecte los tubos de la carcasa de la bomba (37) ► Agregue unos 30 mililitros de aceite doméstico liviano o un producto para almacenamiento de bombas en cada boca (38) ► Coloque el conmutador “pulverizar/cebar” en la posición “pulverizar” (20) ► Gire el regulador de control de presión a la configuración “pulverización baja presión” (8) ► Sostenga un trapo

sobre la salida de la manguera de pintura (39)
▶ Coloque el interruptor de alimentación en “on” por cinco segundos; luego, colóquelo en posición “off” (40)
▶ Coloque el conmutador “pulverizar/cebar” en la posición “cebar”; esto mantendrá los líquidos para almacenamiento en el equipo (10)
▶ Vuelva a colocar los tubos y fíjelos con las abrazaderas (41)
▶ Limpie el equipo con un paño limpio
▶ Almacene en un lugar limpio y seco fuera del alcance de los niños.

MANTENIMIENTO.

▶ El equipo eléctrico airless ha sido diseñado para funcionar durante mucho tiempo con un mínimo mantenimiento
▶ El funcionamiento óptimo depende del buen cuidado del equipo eléctrico airless y de una limpieza frecuente
▶ Para evitar accidentes, desconecte siempre el equipo eléctrico airless de la fuente de alimentación antes de efectuar la limpieza o cualquier mantenimiento del mismo
▶ El equipo eléctrico airless debe limpiarse de manera eficaz utilizando aire comprimido al final de cada uso
▶ Utilice siempre gafas protectoras cuando trabaje con aire comprimido
▶ Si no puede utilizar aire comprimido, retire el polvo del equipo eléctrico airless sirviéndose de un cepillo
▶ Las ranuras de ventilación del motor y los interruptores deben estar siempre limpios y sin ninguna clase de residuo
▶ No intente limpiarlos introduciendo objetos puntiagudos a través de las aberturas
▶ Algunos productos de limpieza y disolventes dañan los componentes de plástico, entre los cuales se encuentran la gasolina, el tetraclorometano, los disolventes de limpieza clorados, el amoníaco y los productos de limpieza domésticos que contienen amoníaco
▶ No utilice ninguno de los productos mencionados para limpiar el equipo eléctrico airless
▶ En el caso de que se produzcan chispas de modo excesivo, haga que el servicio oficial de reparación Werku® le revise y/o reemplace las escobillas.

PROTECCIÓN DEL MEDIO AMBIENTE.

▶ Los materiales y componentes que han sido utilizados para fabricar este producto pueden ser reutilizados y reciclados
▶ Werku® está adherido a un Sistema Integrado de Gestión que se encarga de la correcta eliminación de los residuos de este producto
▶ No elimine este producto en la basura doméstica
▶ Werku® ofrece a sus clientes un servicio gratuito de retirada de

dichos residuos en cualquiera de sus puntos de venta, en los puntos de recogida establecidos por el Sistema Integrado de Gestión o en los puntos limpios de su localidad.

GARANTÍA Y SERVICIO TÉCNICO.

▶ Además de la garantía legal, Werku® ofrece una garantía comercial adicional
▶ Esta garantía comercial cubre la reparación de los defectos que se aprecian debido a fallos en los materiales o en la fabricación
▶ Para ello es imprescindible que los defectos se produzcan dentro del periodo de validez
▶ El consumidor tiene derecho a la reparación gratuita de los defectos que Werku® reconoce como incluidos en la garantía comercial (gastos de envío, mano de obra y materiales incluidos), a elección de Werku®, bien mediante la reparación o mediante la sustitución (si es necesario por un modelo posterior)
▶ Esta garantía comercial no afecta los derechos del consumidor establecidos por ley según la Directiva 1999/44/CE
▶ El periodo de validez de esta garantía comercial es de 24 meses
▶ En caso de destinar el producto a un uso profesional o industrial, el periodo de validez es de 12 meses
▶ El periodo de validez se inicia en la fecha de compra por el primer consumidor
▶ Esta fecha se refleja en la factura o ticket de compra
▶ La acción para reclamar el cumplimiento de esta garantía comercial prescribe a los seis meses desde la finalización del periodo de validez
▶ La reclamación en virtud de esta garantía comercial debe de presentarse al distribuidor o al Servicio de Asistencia Técnica
▶ Para ello es imprescindible presentar esta garantía debidamente cumplimentada y sellada por el distribuidor, junto con la factura o ticket de compra
▶ Para cualquier información referente a esta garantía comercial el comprador y/o el distribuidor puede ponerse en contacto con el Servicio de Asistencia Técnica a través del teléfono +34 981 648 119, o mediante correo electrónico a info@werku.com
▶ Quedan excluidos de esta garantía comercial los defectos que han sido causados por piezas desgastadas por el uso u otro tipo de desgaste natural, los defectos que han sido causados por inobservancia o incumplimiento de las instrucciones de uso y funcionamiento, o de aplicaciones no conformes con el uso al que se destina este producto, o de factores medioambientales anormales, o de sobrecarga, de mantenimiento o limpieza inadecuados, defectos que han sido causados

por el uso de accesorios, complementos o repuestos que no son piezas originales Werku®, si el producto ha sido total o parcialmente desmontado, modificado o reparado por personal ajeno al Servicio de Asistencia Técnica o las irregularidades mínimas e irrelevantes para el uso y funcionamiento adecuado ▶ Las reparaciones y sustituciones no prolongan ni renuevan el plazo de validez de esta garantía comercial ▶ Las piezas sustituidas pasan a ser propiedad de Werku® ▶ Si el comprador remite el producto al Servicio de Asistencia Técnica, no cumpliendo con las condiciones de esta garantía comercial, los gastos y riesgos del transporte corren a cargo del comprador ▶ Esta garantía comercial es válida dentro del territorio de la Unión Europea ▶ La empresa responsable del cumplimiento de esta garantía comercial Werku® es Werku Tools SA.

ASESORAMIENTO TÉCNICO.

▶ Werku® pone a su disposición su departamento técnico para resolver cualquier duda que pueda surgir sobre sus productos ▶ En caso de que desee establecer contacto con nuestro equipo, remita un correo electrónico a la dirección info@werku.com.

CE KONFORMITÄTSERKLÄRUNG.

► Werku® erklärt dass die **WK500500** airless Electro-Ausrüstung in Übereinstimmung ist mit den europäischen Richtlinien und Normen 2006/42/CE, 2006/95/CE, EN12621:2006+A1:2010 und EN60204-1:2006+A1.

La Coruña, 01/08/2019

R Yáñez

Werku Tools SA

TECHNISCHE DATEN.

► Spannung-Frequenz 230V~50Hz ► Leistung 0.7HP / 500W ► Schutzindex IP23 ► Arbeitsdruck 120-170 bar ► Maximale Druck 205 bar ► Faden NPS 1/4" ► Fließ 1.4 l/min⁻¹ ► Düsedurchmesser ≤ 0.019" ► Arbeitstemperatur 5-40°C
► Schlauchlänge 7.5 m ► Nettogewicht 8.5 kg
► Schalldruck LpA ≤ 89 dB(A) ► Schallleistung LwA ≤ 90.82 dB(A) ► Vibration Aw ≤ 0.715 m/s².

SICHERHEITSHINWEISE

► Lesen Sie alle Sicherheitshinweise und die gesamte Gebrauchsanleitung ► Die Nichteinhaltung aller im Folgenden aufgeführten Sicherheitshinweise und der Gebrauchsanleitung kann zum Elektroschock, Brand und/oder schweren Verletzungen führen ► Heben Sie alle Sicherheitshinweise und die gesamte Gebrauchsanleitung zum späteren Nachlesen auf ► Unfälle können häufig vermieden werden, wenn man sich im Voraus der Gefährlichkeit einer Situation bewusst ist und die angemessenen Sicherheitsverfahren hundertprozentig einhält
► Verwenden Sie diese airless Electro-Ausrüstung niemals zu anderen Zwecken, als zu den in dieser Anleitung aufgeführten.

EIN SICHERER ARBEITSPLATZ.

► Der Arbeitsplatz muss sauber und gut beleuchtet sein ► Unordentliche und dunkle Stellen verursachen Unfälle ► Verwenden Sie Electro-Ausrüstung niemals in einer explosionsfähigen Atmosphäre, wie in der Nähe von brennbaren Flüssigkeiten, Gasen und Stäuben ► Wenn Sie mit einem electro uitrustung arbeiten, müssen Kinder und Neugierige fern bleiben ► Ablenkungen können dazu führen, dass Sie die Kontrolle über das Werkzeug verlieren.

PERSÖNLICHE SICHERHEIT.

► Seien Sie aufmerksam, achten Sie auf das, was Sie gerade tun und setzen Sie Ihren gesunden Menschenverstand ein, wenn Sie mit einem electro uitrustung arbeiten ► Verwenden Sie kein Electro-Ausrüstung, wenn Sie müde sind oder unter dem Einfluss von Drogen, Alkohol oder Medikamenten stehen ► Ein Augenblick, in dem Sie abgelenkt sind, während Sie mit einem electro uitrustung arbeiten, kann zu schweren Personenschäden führen.

PSA VERWENDEN.

► Tragen Sie eine Schutzbrille gemäß der Norm EN166 ► Tragen Sie eine Schutzmaske gemäß der Norm EN149 ► Gehörschutz gemäß EN352 verwenden ► Falls die Art der Arbeit, die Sie ausführen, dies erforderlich macht, verwenden Sie eine angemessene PSA.

NICHT AUF ZEHENSPITZEN STEHEND ARBEITEN.

► Stehen Sie mit den Füßen fest auf dem Boden und achten Sie darauf, das Gleichgewicht nicht zu verlieren ► So kontrollieren Sie in unvorhergesehenen Situationen das Electro-Ausrüstung besser.

ANGEMESSENE KLEIDUNG.

► Tragen Sie weder lockere Kleidung noch Schmuck ► Halten Sie Haare, Kleidung und Handschuhe von beweglichen Teilen fern ► Lockere Kleidung, Schmuck und lange Haare können von den beweglichen Teilen eingeklemmt werden ► Falls Anschlüsse für Entstaubungsvorrichtungen vorhanden sind, gewährleisten Sie, dass diese korrekt angeschlossen sind und richtig verwendet werden
► Die Verwendung dieser Geräte kann Risiken im Zusammenhang mit Staub verringern.

ELEKTRISCHE SICHERHEIT.

► Der Gerätestecker muss für die vorgesehen Steckdose geeignet sein ► Nehmen Sie keine Veränderungen am Stecker vor ► Verwenden Sie keinen Steckeradapter in Verbindung mit geerdeten Electro-Ausrüstungen ► Originale Stecker und geeignete Steckdosen verhindern die Stromschlaggefahr ► Vermeiden Sie jeden Körperkontakt mit geerdeten Flächen (z.B. Rohre, Heizkörper, Herde oder Kühlschränke)
► Es besteht erhöhte Stromschlaggefahr, wenn

ihr Körper geerdet ist ► Setzen Sie Electro-Ausrüstung weder Regen noch Feuchtigkeit aus ► Eindringendes Wasser erhöht die Stromschlaggefahr.

KEIN KABELMISSBRAUCH.

► Benutzen Sie das Kabel nie, um das Electro-Ausrüstung zu tragen, zu ziehen oder von der Steckdose abzutrennen
► Halten Sie das Kabel fern von Hitze, Öl, scharfen Kanten oder beweglichen Teilen
► Beschädigte oder verwickelte Kabel bergen ein erhöhtes Stromschlagrisiko ► Falls Sie ein Electro-Ausrüstung im Freien benutzen, müssen Sie ein entsprechend geeignetes Verlängerungskabel verwenden ► Bei Verwendung eines für Außeneinsätze geeigneten Verlängerungskabels besteht eine geringere Stromschlaggefahr ► Sollte der Einsatz eines Werkzeugs in einer feuchten Umgebung unvermeidlich sein, verwenden Sie eine Fehlerstromschutzeinrichtung ► Eine solche Schutzeinrichtung senkt die Stromschlaggefahr.

VERMEIDEN SIE EINEN VERSEHENTLICHEN START.

► Achten Sie darauf, dass sich der Schalter in der Aus-Stellung befindet, bevor Sie das Gerät an die Stromversorgung anschließen oder es hochheben oder tragen ► Es besteht Verletzungsgefahr, wenn Electro-Ausrüstung mit dem Finger am Startschalter getragen oder im eingeschalteten Zustand an der Stromversorgung angeschlossen werden ► Entfernen Sie Justier- oder Schraubenschlüssel, bevor Sie das Electro-Ausrüstung einschalten ► Es besteht Verletzungsgefahr, wenn ein Einstell- oder Schraubenschlüssel an einem sich drehenden Teil des Electro-Ausrüstung verbleibt.

BENUTZUNG UND PFLEGEN VON ELECTRO-AUSRÜSTUNGEN.

► Wenden Sie bei der Benutzung des Electro-Ausrüstung keine Gewalt an ► Verwenden Sie ein für den jeweiligen Zweck geeignetes Electro-Ausrüstung ► Ein geeignetes Electro-Ausrüstung verrichtet die Arbeit besser und sicherer
► Benutzen Sie das Electro-Ausrüstung nicht, wenn es sich mit dem Schalter nicht ein- und ausschalten lässt. ► Ein Electro-Ausrüstung, das sich nicht mehr mit dem Schalter kontrollieren lässt, ist gefährlich und muss repariert werden
► Ziehen Sie den Netzstecker und/oder entfernen Sie den Netzkaku, bevor Sie Einstellungen vornehmen, Zubehör wechseln oder das Gerät lagern ► Solche Vorsichtsmaßnahmen verringern das Risiko eines versehentlichen Gerätstarts.

AUFBEWAHRUNG VON WERKZEUG MIT DRUCKLUFT.

► Bewahren Sie die abgeschaltete airless Electro-Ausrüstung außerhalb der Reichweite von Kindern und Personen, die mit electro uitrustingen und dieser Gebrauchsanleitung nicht vertraut sind, auf ► Electro-Ausrüstung sind in den Händen ungeübter Benutzer gefährlich.

WARTUNG.

► Stellen Sie sicher, dass die beweglichen Teile nicht falsch ausgerichtet oder verklemmt sind, dass es keine defekten Teile oder andere Bedingungen gibt, die das Funktionieren Electro-Ausrüstung beeinträchtigen könnten ► Wenn ein Electro-Ausrüstung beschädigt ist, muss es vor seiner Verwendung repariert werden
► Viele Unfälle werden von schlecht gewarteten electro uitrustingen verursacht ► Benutzen Sie das Electro-Ausrüstung sowie dessen Zubehör gemäß dieser Gebrauchsanleitung und so, wie es für den jeweiligen Werkzeugtyp vorgesehen ist. Berücksichtigen Sie die Arbeitsbedingungen und die Art der auszuführenden Arbeit ► Eine zweckfremde Verwendung des Electro-Ausrüstung kann gefährlich sein ► Lassen Sie Ihr Electro-Ausrüstung von einem qualifizierten Reparaturdienst von Werku® überprüfen und verwenden Sie nur Originalersatzteile ► Das garantiert eine dauerhafte Sicherheit Ihres Electro-Ausrüstung.

ÜBERWACHUNG DES ZUSTANDS DER AIRLESS ELECTRO-AUSRÜSTUNG.

► Prüfen Sie, ob alle Schrauben der airless Electro-Ausrüstung fest angezogen sind ► Bei kaltem Wetter oder wenn die airless Electro-Ausrüstung längere Zeit nicht benutzt worden ist, erwärmen Sie die airless Electro-Ausrüstung eine Weile, indem Sie sie einige Minuten lang leer laufen lassen. Das verbessert die Schmierung der internen Bauteile ► Gewährleisten Sie, dass möglicherweise montiertes Zubehör fest an seiner Stelle sitzt.

VOR ARBEITSBEGINN.

► Vor Verwendung der airless Electro-Ausrüstung stellen Sie sicher, dass diese fest aufliegt ► Achten Sie darauf, dass sich niemand unterhalb des Einflussbereiches der airless Electro-Ausrüstung befindet, wenn Sie in der Höhe arbeiten ► Halten Sie die Hände fern von den beweglichen Teilen der airless Electro-Ausrüstung.

BEI BETRIEB.

► Wenn die airless Electro-Ausrüstung nicht fest in den Händen liegt, lassen Sie sie ausgeschaltet
► Nehmen Sie sie nur in Betrieb, wenn Sie sich sicher sind, dass Sie sie vollständig unter Kontrolle haben
► Zielen Sie auf niemanden mit eingeschalteter airless Electro-Ausrüstung
► Beim Arbeiten kann die airless Electro-Ausrüstung vibrieren
► Die Schrauben können sich nach und nach lösen und eine Störung oder einen Unfall verursachen
► Halten Sie die Hände von den beweglichen Teilen der airless Electro-Ausrüstung fern.

NACH ARBEITSENDE.

► Berühren Sie nach Gebrauch nicht das an der airless Electro-Ausrüstung angebrachte Zubehör
► Es kann sehr heiß sein und Verbrennungen verursachen
► Einige Materialien, mit denen gearbeitet wird, können toxische chemische Substanzen enthalten
► Seien Sie vorsichtig und vermeiden Sie das Einatmen dieser Substanzen und den Hautkontakt damit
► Verwenden Sie die PSA, um sich vor solchen Zwischenfällen zu schützen und diese zu vermeiden.

HOCHDRUCKSCHLAUCH SICHERHEITSHINWEISE.

► Achtung Verletzungsgefahr durch Injektion!
► Durch Verschleiß, Knicken und nicht zweckentsprechende Verwendung können sich Leckstellen im Hochdruckschlauch bilden
► Durch eine Leckstelle kann Flüssigkeit in die Haut injiziert werden
► Hochdruckschlauch vor jeder Benutzung gründlich überprüfen
► Beschädigten Hochdruckschlauch sofort ersetzen
► Niemals defekten Hochdruckschlauch selbst reparieren!
► Scharfes Biegen oder Knicken vermeiden, kleinster Biegeradius etwa 20 cm
► Hochdruckschlauch nicht überfahren, sowie vor scharfen Gegenständen und Kanten schützen
► Niemals am Hochdruckschlauch ziehen, um das Gerät zu bewegen
► Hochdruckschlauch nicht verdrehen
► Hochdruckschlauch nicht in Lösemittel einlegen
► Außenseite nur mit einem getränkten Tuch abwischen
► Hochdruckschlauch so verlegen, dass keine Stolpergefahr besteht
► Elektrostatische Aufladung von Spritzpistole und Hochdruckschlauch wird über den Hochdruckschlauch abgeleitet
► Deshalb muss der elektrische Widerstand zwischen den Anschlüssen des Hochdruckschlauchs gleich oder kleiner 197 k Ω /m betragen.

AIRLESS-PISTOLE SICHERHEITSHINWEISE.

► Sicherheit ist oberstes Gebot
► Es müssen alle lokalen und nationalen Vorschriften zur Entlüftung, zum Brandschutz und zum Arbeitsschutz eingehalten werden
► Gefahr: Verletzung durch Flüssigkeiten unter Druck
► Der durch diese airless-Pistole erzeugte Hochdruckflüssigkeitsstrahl kann Haut und Bindegewebe durchdringen und schwere Verletzungen verursachen, die sogar zur Amputation führen können
► Eine Verletzung durch eine Injektion von Flüssigkeit unter Druck nicht wie einen normalen Schnitt behandeln
► Eindringen von Flüssigkeiten unter Druck in das Gewebe können Amputationen erforderlich machen
► Sofort einen Arzt aufsuchen
► Der Arzt muss über die Art des Überzugs oder Reinigungsmittels informiert werden, der bzw. das die Verletzung verursacht hat
► Der maximale Betriebsdruck für die airless-Pistole beträgt 250 Bar
► Niemals die airless-Pistole auf Körperteile richten
► Niemals mit Körperteilen in den Flüssigkeitsstrahl kommen
► Niemals mit dem Körper eine Leckstelle im Druckschlauch berühren
► Niemals die Hand vor die Düse der airless-Pistole halten
► Handschuhe stellen keinen sicheren Schutz vor Verletzungen durch injizierte Flüssigkeiten dar
► Niemals die airless-Pistole auf Personen richten
► Stets den Abzug der airless-Pistole verriegeln, die Pumpe ausschalten und den Druck vollständig entspannen, bevor Wartungs- und Reinigungsarbeiten an Düse und Düsenschutz oder Düsenwechsel durchgeführt werden oder das Gerät unbeaufsichtigt gelassen wird
► Auch nach dem Ausschalten des Motors steht das Gerät noch unter Druck
► Das Ventil prime/ spray (Vorfüllen/Sprühen) muss auf prime (Vorfüllen) gestellt sein, um den Druck zu entspannen
► Der Ansprechdruck für das Ventil ist im Pumpenhandbuch angegeben
► Stets den Düsenschutz beim Sprühen aufsetzen
► Der Düsenschutz stellt einen gewissen Schutz dar, ist aber vor allem als Warnvorrichtung gedacht
► Stets die Spritzdüse entfernen, bevor das System gereinigt oder gespült wird
► Der Schlauch kann durch falsche Verwendung, Knicken und durch Verschleiß undicht werden
► Durch eine Leckstelle kann Flüssigkeit in die Haut injiziert werden
► Vor Verwendung den Schlauch

gründlich prüfen ▶ Niemals eine airless-Pistole ohne Abzugsicherung und funktionsfähigen Abzugbügel verwenden ▶ Das gesamte Zubehör muss mindestens für den maximalen Betriebsdruck des airless-Pistole zugelassen sein ▶ Dies betrifft Spritzdüsen, Verlängerungen und den Schlauch ▶ Gefahr: Explosionsgefahr aufgrund inkompatibler Materialien Inkompatible Materialien können schwere Personen- und Sachschäden verursachen ▶ Keine Materialien verarbeiten, die Chlor oder Hypochlorid enthalten ▶ Keine halogenierten Kohlenwasserstoffe als Lösungsmittel verwenden, beispielsweise Hypochloridlösung, Schimmelbekämpfungsmittel, Methylenchlorid und Trichlorethan ▶ Diese Lösungsmittel greifen Aluminium an ▶ Informationen zur Verträglichkeit des verwendeten Beschichtungsmaterials mit Aluminium erhalten Sie vom Hersteller ▶ Gefahr: Allgemeines ▶ Kann schwere Personen- oder Sachschäden verursachen ▶ Alle Anweisungen und Sicherheitshinweise durcharbeiten, bevor das Gerät in Betrieb genommen wird ▶ Niemals in der Nähe von Zündquellen sprühen, d. h. nicht in der Nähe von offenen Flammen, Zigaretten (auch Zigarren und Pfeifen sind Zündquellen), Funken, heißen Drähten, heißen Oberflächen usw ▶ Beim Sprühen Atemschutz tragen ▶ Der Bediener muss eine Schutzmaske tragen ▶ Um arbeitsbedingte Erkrankungen zu vermeiden, die Vorschriften des Herstellers zu den Farben bzw Lacken, Lösungsmitteln und Reinigungsmitteln beachten, wenn das Gerät vorbereitet, benutzt und gereinigt wird ▶ Schutzkleidung, Arbeitshandschuhe, Augenschutz und in bestimmten Fällen eine besondere Hautschutzcreme verwenden ▶ Die Warnhinweise und Anweisungen des Herstellers von Farbe bzw Lack und Lösungsmittel beachten ▶ Die Absaugvorrichtungen müssen vom Benutzer entsprechend den vor Ort geltenden Vorschriften angeschlossen werden ▶ Die für den Überzug vorgesehenen Gegenstände müssen geerdet sein ▶ Vor jedem Einsatz alle Schläuche auf Schnitt-, Leck- und Scheuerstellen sowie auf Verformungen des Schlauchmantels kontrollieren ▶ Die Kupplungen auf Unversehrtheit und festen Sitz kontrollieren ▶ Den Schlauch sofort ersetzen, wenn einer der erwähnten Fehler festgestellt wird ▶ Einen Schlauch niemals reparieren ▶ In diesem Fall den Schlauch durch einen anderen

geerdeten Hochdruckschlauch ersetzen ▶ Bei Betätigung des Abzugs zieht die airless-Pistole zur Seite ▶ Diese Kraftwirkung der airless-Pistole ist besonders stark, wenn die Düse entfernt wurde und bei der Hochdruckpumpe hoher Druck eingestellt wurde ▶ Bei der Reinigung mit abgeschraubter Düse daher das Druckregelventil auf den niedrigsten Druck einstellen Nur vom Hersteller zugelassene Teile verwenden ▶ Der Benutzer trägt alle Risiken und das gesamte Haftungsrisiko bei Verwendung von Teilen, die nicht die technischen Mindestdaten erfüllen, sowie bei Verwendung von Sicherheitsvorrichtungen, die nicht vom Hersteller der airless-Pistole stammen ▶ Eine mögliche elektrostatische Aufladung der airless-Pistole ist über den nach Vorschrift leitenden Hochdruckschlauch zur geerdeten Hochdruckpumpe abzuleiten Die max Oberflächentemperatur entspricht der zulässigen Materialtemperatur ▶ Diese und die zulässige Umgebungstemperatur sind im Kapitel technische Daten zu finden ▶ Um die Entstehung von Funken an der airless-Pistole zu verhindern, Schlagbelastungen vermeiden und an dem Gerät in explosionsgefährdeten Bereichen keine Werkzeuge einsetzen.

RESTRISIKEN.

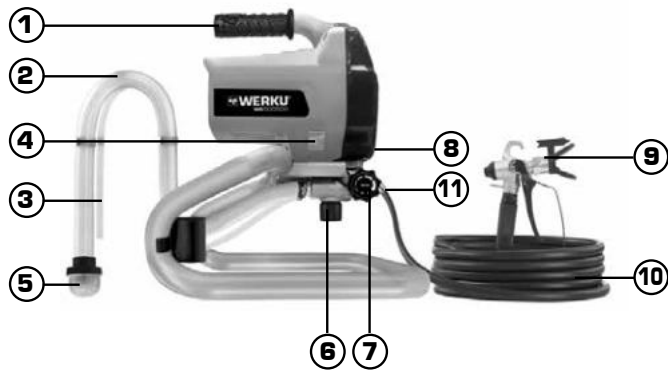
▶ Restrisiken sind Risiken, die auch bei bestimmungsgemäßer Verwendung nicht ausgeschlossen werden können ▶ Gegebenenfalls weisen Warn- und Verbotsschilder an den jeweiligen Risikostellen auf bestehende Restrisiken hin.

Gefahr	Quelle/Ursache	Auswirkung	Vorbeugende Maßnahmen	Kann auftreten während:
Injektionsverletzung	Staubförmiger, unter Hochdruck stehender Flüssigkeitsstrom	Schwere Verletzung oder Amputation	Richten Sie die Pistole NIEMALS auf Körperteile	Montage, Betrieb
Explosion oder Feuer	Statische Elektrizität oder Funken	Schwere Verletzung	Nur in gut durchlüfteten Bereichen verwenden. Erden Sie die airless Pistole	Betrieb
Gefährliche Dämpfe	Gefährliche Dämpfe aus den Spritzmaterialien	Schwere Verletzung	Nur in gut durchlüfteten Bereichen verwenden Verwenden Maske	Betrieb

PRODUKTBESCHREIBUNG.

▶ Der airless Electro-Ausrüstung wurde für die Hochdruck-Zerstäubung von flüssigen Beschichtungstoffen vorgesehen ▶ Beachten Sie

dieses Schema, um sich mit der airless Electro-Ausrüstung vor ihrer Verwendung vertraut zu machen.



1. Tragegriff.
2. Ansaugschlauch.
3. Rücklaufleitung.
4. On/off schalter.
5. Ansaugfilter.
6. Einlassventildrucker.
7. Druckregler.
8. Sprühen/vorbefüllen wahlschalter.
9. Airless Pistole.
10. Airless Schlauch.
11. Schlauchanschluss.

BEDIENUNGSANLEITUNG.

► Bevor Sie die airless Electro-Ausrüstung einschalten, sollten Sie alle angegebenen Anweisungen vollständig und gründlich durchlesen ► Ebenso sollten Unfallverhütungsvorschriften, Regeln und Richtlinien sowie die für die Betriebe geltenden Gesetze und Einschränkungen berücksichtigt werden ► Die airless Electro-Ausrüstung darf nur von in ihrer Bedienung angemessen geschulten Personen und ausschließlich zu den vorgesehenen Zwecken verwendet werden.

STROMVERSORUNG.

► Achten Sie darauf, dass die Stromversorgung den auf dem Typenschild der airless Electro-Ausrüstung angegebenen Anforderungen entspricht (1) ► Das Laufenlassen des Motors mit Unterspannung bewirkt, dass er langsam arbeitet ► Dies verringert die Leistung und kann zur Überhitzung des Motors führen.

VERLÄNGERUNGSKABEL.

► Wenn der Arbeitsbereich von der Stromversorgung entfernt liegt, verwenden Sie ein Verlängerungskabel von ausreichendem Durchmesser und Qualität.

ERDUNGSANSCHLUSS.

► Der airless Electro-Ausrüstung muss bei Verwendung geerdet sein, um den Bediener vor möglichen Stromschlägen zu schützen.

SPRÜHEN/VORBEFÜLLEN.

► Dieser Schalter ermöglicht einen Wechsel zwischen den Modi „vorbefüllen“ und „sprühen“ (2).

DÜSE.

► Die Düse lässt sich umschalten und entfernen, um das Reinigen und das Entfernen von Verstopfungen zu erleichtern ► Zum Verwenden der Airless-Spritzpistole drehen Sie die Düse auf die Position „spray“ (3) ► Zum Reinigen der Düse drehen Sie diese in die entgegengesetzte Richtung (4).

DRUCKLUFTREGLER.

► Zum Einstellen des Druckluftreglers existieren folgende Funktionen: „Hochdruckspritzen“, „niederdruckspritzen“, „vorbefüllen/reinigen“ und „Walze“ ► Zum Auswählen der gewünschten Funktion richten Sie den Druckluftregler auf die Anzeige am Gehäuse aus (5).

INSTALLATION.

► Entfernen Sie alle Objekte, die sie vor dem Spritzen mit Farbe schützen möchten oder decken Sie sie ab ► Schließen Sie den Farbschlauch an den Ausgang des Gerätes an und stellen Sie ihn mit einem Schlüssel ein (6) ► Schließen Sie den Farbschlauch an die Airless-Spritzpistole an und stellen Sie ihn mit zwei Schlüsseln ein (7) ► Drehen Sie den Druckluftregler auf die Einstellung „niederdruckspritzen“ (8).

DRUCKENTLASTUNG.

► Stellen Sie den Netzschalter in die Position „off“ (Aus) und trennen Sie die Stromquelle (9) ► Stellen Sie den Wahlschalter „sprühen/vorbefüllen“ auf die Position „vorbefüllen“ (10) ► Richten Sie die Airless-Spritzpistole auf den Farbeimer und aktivieren Sie den Sprühdichtungsregler, um den Druck abzulassen (11) ► Anmerkung: Wechseln Sie zwischen den Anwendungen stets in den Modus „vorbefüllen“.

AIRLESS-SPRITZPISTOLE VORBEFÜLLEN.

► Dieses Verfahren wird zum einen beim erstmaligen Betrieb des Gerätes, zum anderen zum Spülen der sich in der Airless-Spritzpistole befindenden Flüssigkeit angewendet ► Beim Sprühen von Farben auf Ölbasis in Terpentin tauchen und anschließend mit warmem Wasser reinigen ► Warnhinweis! Zur Brandvorbeugung: Bei Verwendung von Terpentin schließen Sie die Airless-Spritzpistole an die Erdung an, indem Sie sie während der Reinigung fest an einen Metallbehälter drücken ► Bei Farben auf Wasserbasis führen Sie die Reinigung mit warmem Wasser durch.

VORBEFÜLLEN UND STARTEN.

► Trennen Sie das Ablassrohr (kleiner) vom Saugrohr (größer) (12) ► Geben Sie das Ablassrohr in einen Abfallbehälter (13) ► Tauchen Sie das Saugrohr in Wasser oder in ein Reinigungslösungsmittel (14) ► Stellen Sie den Wahlschalter „sprühen/vorbefüllen“ auf die Position „vorbefüllen“ (10) ► Stellen Sie den Druckluftregler auf die Konfiguration „vorbefüllen/reinigen“ (15) ► Schließen Sie das Gerät an und schalten Sie es ein (16) ► Das Gerät beginnt zu pumpen und das Wasser bzw. das Reinigungslösungsmittel sowie Luftblasen werden aus dem System entfernt ► Lassen Sie die Flüssigkeiten 30 bis 60 Sekunden lang aus dem Ablassrohr in den Abfallbehälter ab und stellen Sie im Anschluss den Netzschalter auf „off“ (Aus) (9) ► Wichtig: Fließt das Lösungsmittel nicht durch die Schläuche, betätigen Sie den roten Entriegelungsknopf am Eingang unterhalb der Pumpe, um das Rückschlagventil am Eingang zu lockern (17) ► Entfernen Sie das Saugrohr aus dem Wasser bzw. aus dem Reinigungslösungsmittel und tauchen Sie es in den Farbeimer (18) ► Stellen Sie den Netzschalter auf „on“ (Ein) (16) ► Die Farbe sollte vom Saugrohr zum Gerät und zum Ablassrohr laufen, bis sie aus dem Rücklaufschlauch gelaufen ist ► Stellen Sie den Netzschalter auf „off“ (9) ► Ziehen Sie das Ablassrohr aus dem Abfallbehälter, befestigen Sie es am Saugrohr und tauchen Sie es in den Farbeimer (19) ► Stellen Sie den Netzschalter auf „on“ (16) ► Richten Sie die Airless-Spritzpistole auf den Abfallbehälter und betätigen Sie den Sprührichtungsregler (11) ► Stellen Sie den Wahlschalter „sprühen/vorbefüllen“ in die Position „sprühen“ und sprühen Sie weiter in den Abfallbehälter (20) ► Halten Sie den Sprühprozess an ► Sprühen Sie nicht weiter, wenn der Motor zum Stillstand kommt. Das bedeutet, dass die Pumpe und die Rohre vorbefüllt sind ► Kommt der Motor nicht zum Stillstand, wiederholen Sie die Schritte der Vorbefüllung ► Beginnen Sie mit dem Spritzen.

SPRITZEN.

► Stellen Sie vor dem Spritzen sicher, dass das Gerät vorgefüllt ist und überprüfen Sie die ordnungsgemäße Ausrichtung der Düse ► Entfernen Sie alle Objekte, die sie vor dem Spritzen mit Farbe schützen möchten oder decken Sie sie ab ► Nach Vorbefüllung des Gerätes stellen Sie die Düse auf die Konfiguration „spray“ (3) ► Beginnen Sie das Sprühen in der niedrigsten Einstellung des Druckluftreglers und erhöhen Sie den Druck nach Bedarf durch Drehen des Reglers im Uhrzeigersinn, so dass ein gutes Spritzbild

erzeugt wird (21) ► Anschließend probieren Sie die aufgeführten Spritztechniken auf einem Objekt aus, bevor Sie mit dem Spritzen der Oberfläche beginnen.

SPRITZTECHNIKEN.

► Stellen Sie vor dem Spritzen sicher, dass das Gerät vorgefüllt ist und überprüfen Sie die ordnungsgemäße Ausrichtung der Düse ► Halten Sie die Airless-Spritzpistole ca. 30 cm von der Oberfläche entfernt ► Halten Sie die Airless-Spritzpistole rechts und bewegen Sie den Arm rhythmisch von einer Seite zur anderen, wobei die Entfernung von der Oberfläche 30 cm betragen sollte (22) ► Die Airless-Spritzpistole nicht schütteln, andernfalls wird die Farbe ungleichmäßig aufgetragen (23) ► Richten Sie die Mitte der Spritzpistole auf die Kante des vorhergehenden Auftrags, damit sich jeder Auftrag um die Hälfte mit dem vorhergehenden überlappt (24).

ENTFERNEN VON VERSTOPFUNGEN DER SPRÜHDÜSE.

► Gelegentlich ist die Düse der Airless-Spritzpistole durch Farbe verstopft ► Folgen Sie diesen Anweisungen, um die Düse der Airless-Spritzpistole von Verstopfungen zu befreien ► Stellen Sie den Netzschalter auf „off“ (9) ► Stellen Sie die Düse in die Position „clean/eject“ (4) ► Stellen Sie den Wahlschalter „sprühen/vorbefüllen“ in die Position „sprühen“ (20) ► Schalten Sie das Gerät ein (16) ► Sprühen Sie Farbe in einen Abfallbehälter, bis sich die Verstopfung gelöst hat (11) ► Lösen Sie den Sprührichtungsregler ► Stellen Sie die Düse in den Modus „sprühen“ (3).

REINIGUNG.

► Stellen Sie den Netzschalter auf „off“ und den Wahlschalter „sprühen/vorbefüllen“ in die Position „vorbefüllen“ (10) ► Schrauben sie die Spritzdüse ab und entfernen Sie sie (25) (26) ► Lassen Sie den Druck ab und lassen Sie die Farbe aus den Rohren ablaufen (27) ► Trennen Sie die Rohre (12) ► Stellen Sie die Ablassrohr in einen leeren Abfallbehälter (13) ► Tauchen Sie die Saugrohr zum Entfernen in Wasser oder in eine Reinigungsflüssigkeit (14) ► Schließen Sie das Gerät an und schalten Sie es ein (16) ► Das Gerät beginnt zu pumpen und das Wasser bzw. Reinigungslösungsmittel und die Luftblasen werden aus dem System herausgespült ► Lassen Sie die Flüssigkeiten aus dem Ablassrohr in den Abfalleimer laufen, bis die Flüssigkeit gereinigt ist (28) ► Nachdem die Flüssigkeit im Ablassrohr gereinigt ist, stellen Sie den Netzschalter auf

„off“ (9) ► Stellen Sie den Wahlschalter „sprühen/vorbefüllen“ in die Position „sprühen“ (20) ► Stellen Sie den Netzschalter auf „on“ (16) ► Sprühen Sie Farbe in den Farbeimer (29) ► Wenn sich die Farbe auflöst, wechseln Sie den Abfallbehälter (30) ► Stellen Sie den Wahlschalter „sprühen/vorbefüllen“ in die Position „vorbefüllen“ (10) ► Setzen Sie die Reinigung fort, bis er sauber ist (31) ► Lösen Sie den Sprührichtungsregler, schalten Sie das Gerät aus und lassen Sie den Druck ab (9, 10, 11) ► Entfernen den Sprührichtungsregler des Gehäuses (32) ► Lösen Sie die Mutter hinter dem Drehstecker (33) ► Entfernen Sie den Filter (34) ► Reinigen Sie alle Teile mit warmem Seifenwasser bzw. Reinigungsflüssigkeit und einer Bürste (35).

LAGERUNG.

► Wen Sie das Gerät für eine dauerhafte Lagerung (mehr als 48 Stunden) reinigen, stellen Sie sicher, dass sich kein angesammeltes Wasser oder Material auf Wasserbasis in Pumpe, Schlauch, Rohren oder Airless-Spritzpistole befindet ► Diese Substanzen führen zu Korrosion des Produktes ► Vor der Lagerung ist unbedingt eine Reinigung des Gerätes durchzuführen ► Entfernen Sie den Farbschlauch, falls noch nicht geschehen (36) ► Drehen Sie das Gerät um und lockern Sie die Schellen an beiden Rohren. Trennen Sie anschließend die Rohre des Pumpengehäuses (37) ► Fügen Sie ca. 30 ml leichtes Haushaltsöl bzw. ein Lagerungsprodukt für Pumpen in jede Öffnung (38) ► Stellen Sie den Wahlschalter „sprühen/vorbefüllen“ in die Position „sprühen“ (20) ► Drehen Sie den Druckluftregler auf die Konfiguration „niederdruckspritzen“ (8) ► Halten Sie einen Lappen an den Ausgang des Farbschlauchs (39) ► Stellen Sie den Netzschalter fünf Sekunden auf „on“ und danach wieder in die Position „off“ (40) ► Stellen Sie den Wahlschalter „sprühen/vorbefüllen“ in die Position „vorbefüllen“; so dass die Lagerungsflüssigkeiten im Gerät bleiben (10) ► Bringen Sie die Rohre wieder an und befestigen Sie sie mit den Schellen (41) ► Reinigen Sie das Gerät mit einem sauberen Lappen ► Lagern Sie es an einem sauberen und trockenen Ort und achten Sie darauf, dass es sich außerhalb der Reichweite von Kindern befindet.

WARTUNG.

► Die airless Electro-Ausrüstung wurde entworfen, um mit minimaler Wartung lange Zeit zu funktionieren ► Das optimale Funktionieren hängt von guter Pflege der airless Electro-Ausrüstung und häufiger Reinigung ab ► Um Unfälle zu vermeiden, müssen Sie die airless

Electro-Ausrüstung immer von der Steckdose trennen, bevor Sie sie reinigen oder warten ► Die airless Electro-Ausrüstung muss nach jedem Gebrauch wirksam mit Pressluft gereinigt werden ► Verwenden Sie immer eine Schutzbrille, wenn Sie mit Pressluft arbeiten ► Wenn Sie keine Pressluft verwenden, entfernen Sie den Staub der airless Electro-Ausrüstung mit Hilfe einer Bürste ► Die Lüftungsschlitze des Motors und die Schalter müssen immer sauber und ohne jegliche Art von Rückständen sein ► Versuchen Sie nicht, sie durch Einführen spitzer Gegenstände in die Öffnungen zu reinigen ► Einige Reinigungs- und Lösungsmittel wie Benzin, Tetrachlormethan, chlorierte lösemittelbasierte Reiniger, Ammoniak und ammoniakhaltige Haushaltsreiniger beschädigen die Kunststoffteile ► Verwenden Sie keines der genannten Produkte zum Reinigen der airless Electro-Ausrüstung ► Wenn es zu starkem Funkenschlag kommt, veranlassen Sie eine Überprüfung und/oder einen Austausch der Bürsten durch den offiziellen Reparaturservice Werku®.

UMWELTSCHUTZ.

► Die Materialien und Bauteile, die für die Herstellung dieses Produkts verwendet wurden, können recycelt und wiederverwertet werden ► Werku® arbeitet mit einem integrierten Abfallbewirtschaftungssystem, das die korrekte Entsorgung der Rückstände dieses Produkts abwickelt ► Werfen Sie dieses Produkt nicht in den Haushaltsmüll ► Werku® bietet seinen Kunden einen kostenlosen Service, um diese Rückstände von einer der Verkaufsstellen, den vom Integrierten Abfallbewirtschaftungssystem eingerichteten Sammelstellen oder den Abfallsammelstellen Ihrer Gemeinde abzuholen.

GARANTIE UND KUNDENSERVICE.

► Neben der gesetzlichen Garantie räumt Werku® Ihnen zusätzlich eine kommerzielle Garantie ein ► Die kommerzielle Garantie umfasst die Reparatur von Mängeln aufgrund von Material- oder Fabrikationsfehlern ► Damit diese Garantie gewährleistet wird, müssen diese Mängel innerhalb des Gültigkeitszeitraums auftreten ► Der Verbraucher hat das Recht auf kostenlose Reparatur von Mängeln, die von Werku® als in der kommerziellen Garantie eingeschlossen anerkannt werden (einschl. Versand-, Verarbeitungs- oder Materialkosten); nach Wahl von Werku® entweder durch Reparatur oder durch Ersatz (falls erforderlich, durch ein späteres Modell) ► Diese kommerzielle

Garantie betrifft nicht die in der EU-Richtlinie 1999/44/EG festgelegten Verbraucherrechte

- ▶ Der Gültigkeitszeitraum dieser kommerziellen Garantie beträgt 24 Monate
- ▶ Falls das Produkt für den gewerblichen oder industriellen Gebrauch bestimmt ist, beträgt der Gültigkeitszeitraum 12 Monate
- ▶ Der Gültigkeitszeitraum beginnt ab dem Datum des Kaufes durch den erstmaligen Verbraucher
- ▶ Dieses Datum ist auf der Rechnung oder dem Kaufbeleg enthalten
- ▶ Die Zeit für Gewährleistungsansprüche im Hinblick auf die Erfüllung dieser kommerziellen Garantie ist auf sechs Monate ab Ende des Gültigkeitszeitraums festgelegt
- ▶ Eine Reklamation im Zusammenhang mit dieser kommerziellen Garantie muss dem Händler oder Kundenservice vorgelegt werden
- ▶ Hierzu muss diese Garantie ordnungsgemäß ausgefüllt, vom Händler gestempelt und zusammen mit der Rechnung oder dem Kaufbeleg vorgelegt werden
- ▶ Für weitere Informationen zu dieser kommerziellen Garantie können sich der Käufer oder der Händler telefonisch über +34 981 648 119 oder über E-Mail an info@werku.com mit dem Kundenservice in Verbindung setzen
- ▶ Ausgenommen von dieser kommerziellen Garantie sind Mängel, die infolge von verschlissenen Teilen durch den Gebrauch oder eine andere Art von natürlichem Verschleiß verursacht wurden, Mängel aufgrund von Unaufmerksamkeit oder Nichtbefolgung der Bedienungsanleitung und unsachgemäßem Betrieb, eine Benutzung, die nicht dem Gebrauch entspricht, für den das Produkt bestimmt ist, ungewöhnliche Umweltfaktoren, Überlastung, unangemessene Wartung oder Reinigung, Mängel aufgrund der Verwendung von Zubehör, Ergänzungen oder Ersatzteilen, die keine Originalteile von Werku® sind, wenn das Produkt durch Personal, das nicht zum Kundenservice gehört, ganz oder teilweise auseinander montiert, verändert oder repariert wurde oder kleine und für den Gebrauch und ordnungsgemäßen Betrieb unwesentliche Unregelmäßigkeiten
- ▶ Durch Reparaturen und Ersatz wird der Gültigkeitszeitraum für diese kommerzielle Garantie weder verlängert noch neu festgelegt
- ▶ Ersetzte Teile gehen in das Eigentum von Werku® über
- ▶ Wenn der Käufer das Produkt an den Kundenservice zurückgibt und dabei nicht die Bedingungen dieser kommerziellen Garantie erfüllt, gehen die Kosten und Gefahren zu Lasten des Käufers
- ▶ Diese kommerzielle Garantie gilt auf dem Gebiet der Europäischen Union
- ▶ Das

für die Erfüllung der kommerziellen Garantie verantwortliche Unternehmen Werku® ist Werku Tools SA.

TECHNISCHE BERATUNG.

- ▶ Werku® stellt Ihnen seine technische Abteilung zur Verfügung, damit Sie alle Fragen, die zu unseren Produkten auftreten könnten, klären können
- ▶ Wenn Sie sich mit unserem Team in Verbindung setzen möchten, senden Sie eine E-Mail an folgende Adresse: info@werku.com.

DÉCLARATION DE CONFORMITÉ CE.

► Werku® déclare que le équipement électrique airless **WK500500** est en conformité avec les directives et normes européennes 2006/42/CE, 2006/95/CE, EN12621:2006+A1:2010 et EN60204-1:2006+A1.

La Coruña, 01/08/2019

R Yáñez

Werku Tools SA

CARACTÉRISTIQUES TECHNIQUES.

► Voltage-fréquence 230V~50Hz ► Puissance 0.7HP / 500W ► Indice de protection IP23 ► Pression travail 120-170 bar ► Pression maximale 205 bar ► Fil NPS 1/4" ► Débit 1.4 l/min⁻¹ ► Diamètre buse ≤ 0.019" ► Température travail 5-40°C ► Longue hose 7.5 m ► Poids net 8.5 kg ► Pression acoustique LpA ≤ 89 dB(A) ► Pression acoustique LwA ≤ 90.82 dB(A) ► Vibration Aw ≤ 0.715 m/s².

CONSIGNES DE SÉCURITÉ.

► Veuillez lire toutes les consignes de sécurité et tous les avertissements ► Le non respect de l'ensemble des avertissements et des consignes figurant ci-dessous peut être la cause d'un choc électrique, d'un incendie et/ou de blessures graves ► Conservez tous les avertissements et toutes les consignes pour vous y référer ultérieurement ► Les accidents peuvent dans de nombreux cas être évités en identifiant les situations dangereuses avant qu'un accident ne se produise et en respectant fidèlement les procédures de sécurité adéquates ► N'utilisez jamais ce équipement électrique airless dans les cas non spécifiés dans ce manuel.

SÉCURITÉ DE LA ZONE DE TRAVAIL.

► Conservez la zone de travail rangée et bien éclairée ► Les zones mal rangées et mal éclairées sont sources d'accidents ► Ne manipulez pas d'équipements électriques dans des environnements explosifs comme en présence de liquides, de gaz ou de poussières inflammables ► Maintenez les enfants et les curieux éloignés pendant que vous manipulez un équipement électrique ► Les distractions peuvent être sources d'une perte de contrôle.

SÉCURITÉ PERSONNELLE.

► Soyez vigilant et attentif à ce que vous faites et faites appel à votre bon sens quand vous

manipulez un équipement électrique ► N'utilisez pas d'équipement électrique si vous êtes fatigué ou sous l'influence de drogues, d'alcool ou de médicaments ► Un moment de distraction pendant que vous manipulez des équipements électriques peut vous causer de graves blessures corporelles.

UTILISEZ DES EPI.

► Utilisez des lunettes de protection conformes à EN166 ► Utilisez un masque de protection conforme à EN149 ► Utilisez protection auditive conforme EN352 ► Si le type de travail à effectuer le requiert, utilisez d'autres équipements de protection individuelle.

NE TRAVAILLEZ PAS SUR LA POINTE DES PIEDS.

► Maintenez vos pieds bien à plat sur le sol et conservez votre équilibre à tout moment ► Cela vous permettra de mieux contrôler l'équipement électrique en cas d'imprévu.

HABILLEZ-VOUS EN CONSÉQUENCE.

► Ne portez pas de vêtements flottants ou des bijoux ► Éloignez vos cheveux, vos vêtements et vos gants des pièces en mouvement ► Les vêtements flottants, les bijoux ou les cheveux longs peuvent être pris dans les pièces en mouvement ► S'il existe des dispositifs pour la connexion de moyens d'extraction et de ramassage de la poussière, assurez-vous qu'ils soient branchés et qu'ils fonctionnent correctement ► L'utilisation de ces dispositifs peut réduire les risques liés à la poussière.

SÉCURITÉ ÉLECTRIQUE.

► La prise mâle de l'équipement électrique doit être adaptée au socle de la prise de courant ► Ne jamais modifier la prise mâle de quelque manière que ce soit ► Ne pas utiliser d'adaptateurs de prises avec des équipements électriques mis à la terre ► Des prises non modifiées et des socles adaptés permettront de réduire le risque d'électrocution ► Évitez le contact du corps avec des surfaces mises à la terre telles que des tuyaux, des radiateurs, des cuisinières électriques et des réfrigérateurs ► Il existe un risque accru d'électrocution si votre corps est en contact avec le sol ► Ne pas exposer les équipements électriques à la pluie ou à des conditions d'humidité ► L'entrée d'eau dans un équipement électrique augmente le risque d'électrocution.

N'ABUSEZ PAS DU CÂBLE.

► Ne jamais utiliser le câble de branchement pour soulever, porter ou débrancher l'équipement électrique ► Maintenez le câble éloigné de la

chaleur, de l'huile, des objets et bords tranchants ou des pièces en mouvement ► Les câbles endommagés ou emmêlés augmentent le risque d'électrocution ► Lorsque vous manipulez un équipement électrique à l'extérieur, utilisez une rallonge adaptée à une utilisation en extérieur ► L'utilisation d'une rallonge adaptée à un usage en extérieur réduit le risque d'électrocution ► Si l'utilisation d'un équipement électrique dans un endroit humide est inévitable, utilisez une alimentation protégée par un dispositif de courant résiduel (RCD) ► L'utilisation d'un RCD réduit le risque d'électrocution.

ÉVITEZ UN DÉMARRAGE ACCIDENTEL.

► Assurez-vous que l'interrupteur est en position « off » avant de le brancher au réseau ou avant de prendre ou de transporter l'outil ► Transporter des équipements électriques en ayant le doigt sur l'interrupteur ou brancher un équipement électrique dont le bouton est en position « on » augmente le risque d'accidents ► Retirez les clés ou les outils avant de démarrer une machine électrique ► Une clé ou un outil restés attachés à une pièce rotative d'une machine électrique peut entraîner des blessures corporelles.

UTILISATION ET ENTRETIEN DES ÉQUIPEMENTS ÉLECTRIQUES.

► Ne forcez pas sur l'équipement électrique ► Utilisez l'équipement électrique approprié à la tâche à effectuer ► Utiliser un équipement électrique adapté garantit un meilleur travail et l'utiliser au rythme pour lequel il a été conçu constitue une garantie de sécurité ► N'utilisez pas l'équipement électrique si le bouton ne peut pas être positionné sur « off » et « on » ► Toute machine électrique est dangereuse si elle ne peut pas être maîtrisée par un bouton d'arrêt. Dans ce cas, elle doit être réparée ► Débranchez la prise de la source d'alimentation et/ou de la batterie avant tout réglage, changement d'accessoires ou stockage de l'équipement électrique. ► Adopter ces mesures préventives de sécurité réduit le risque de démarrer l'outil de manière accidentelle.

STOCKEZ LES ÉQUIPEMENTS ÉLECTRIQUES.

► Rangez les équipements électriques inutilisés hors de portée des enfants et n'autorisez pas leur maniement par des personnes non familiarisées avec ce type d'outils ou méconnaissant les consignes de sécurité ► Les équipements électriques sont dangereux entre les mains d'utilisateurs non avertis.

ENTRETIEN.

► Vérifiez que les parties mobiles ne sont pas désalignées ou entravées, qu'il n'y a pas de pièces cassées ou d'autres conditions qui peuvent affecter le fonctionnement des équipements électriques ► Les équipements électriques doivent être réparés avant leur utilisation quand ils sont endommagés ► De nombreux accidents sont causés par des équipements électriques mal entretenus ► Utilisez ces équipements électriques et leurs accessoires en respectant ces instructions et le mode d'utilisation prévu pour chaque type d'équipements électriques, en tenant compte des conditions de travail et de la tâche à effectuer ► L'utilisation de l'équipement électrique à des fins autres que celles spécifiées pourrait provoquer une situation de danger ► Faites réviser vos équipements électriques par un service officiel de réparation Werku® en utilisant uniquement des pièces de rechange identiques ► C'est une garantie de sécurité pour votre outil.

VÉRIFIEZ LE BON ÉTAT DE VOTRE ÉQUIPEMENT ÉLECTRIQUE AIRLESS.

► Vérifiez que toutes les vis du équipement électrique airless sont parfaitement bien serrées ► Sous des climats froids ou quand le équipement électrique airless n'a pas été utilisé depuis longtemps, laissez le équipement électrique airless se réchauffer un peu en le faisant fonctionner à vide pendant quelques minutes afin de permettre une parfaite lubrification de ses composants internes ► Assurez-vous que les possibles accessoires installés sont bien à leur place.

AVANT DE COMMENCER À TRAVAILLER.

► Avant d'utiliser le équipement électrique airless, assurez-vous qu'il est fermement calé ► Vérifiez que personne ne se trouve dans la zone d'action du équipement électrique airless quand vous effectuez des travaux dans des zones en hauteur ► Éloignez vos mains des parties du équipement électrique airless en mouvement.

PENDANT LE FONCTIONNEMENT.

► Ne faites pas fonctionner le équipement électrique airless s'il n'est pas bien maintenu ► Faites-le fonctionner quand vous êtes sûr de le contrôler totalement ► Ne le dirigez pas vers quelqu'un pendant son fonctionnement ► Pendant l'opération, le équipement électrique airless peut produire des vibrations ► Les vis peuvent se dévisser petit à petit, ce qui peut provoquer une panne ou un accident ► Éloignez vos mains des parties du équipement électrique airless en mouvement.

À LA FIN DE VOTRE TRAVAIL.

- ▶ Ne touchez pas les accessoires installés sur le équipement électrique airless après son utilisation
- ▶ Ils peuvent être très chauds et causer des brûlures
- ▶ Certains matériaux sur lesquels vous travaillez peuvent contenir des substances chimiques ou des composants toxiques ▶ Soyez attentif à ne pas inhaler ces substances et à ce que votre peau ne soit pas en contact avec ▶ Utilisez les EPI conçus pour prévenir et vous protéger de ce type d'accidents.

CONSIGNES SÉCURITÉ FLEXIBLE À HAUTE PRESSION.

- ▶ Attention, danger de blessure par injection!
- ▶ Des fuites peuvent survenir sur le flexible à haute pression à cause de l'usure, des plis et d'une utilisation non conforme à la destination
- ▶ Du liquide peut être injecté dans la peau par la fuite ▶ Examiner soigneusement le flexible à haute pression avant chaque utilisation ▶ Remplacer immédiatement un tuyau flexible haute pression endommagé ▶ Ne jamais essayer de réparer un tuyau flexible haute pression endommagé!
- ▶ Éviter de le plier ou courber de manière trop prononcée, rayon de courbure minimum d'env. 20 cm ▶ Protéger le flexible contre le passage de véhicules et éviter le frottement sur des arêtes vives ▶ Ne jamais tirer sur le flexible à haute pression pour déplacer l'appareil ▶ Ne pas tordre le flexible à haute pression ▶ Ne pas placer le flexible à haute pression dans du solvant. Essuyer l'extérieur uniquement avec un chiffon imprégné
- ▶ Poser le flexible à haute pression de façon à éviter les risques de trébuchement ▶ La charge électrostatique du pistolet et du flexible est évacuée par ce dernier ▶ Pour cette raison, la résistance électrique entre les raccords du flexible doit être égale ou inférieure à 197 kΩ/m.

CONSIGNES SÉCURITÉ PISTOLET AIRLESS.

- ▶ Pensez toujours à votre sécurité ▶ Toutes les réglementations nationales et locales concernant l'aération, la prévention des incendies et le fonctionnement doivent être observées
- ▶ Risque: Blessure par projection ▶ Un courant de liquide à haute pression produit par cet équipement peut percer la peau et les tissus sous-cutanés, et entraîner des blessures graves ou même une amputation ▶ N'essayez pas de traiter une blessure par projection comme une simple coupure ▶ Les blessures par projection

peuvent entraîner une amputation ▶ Consultez immédiatement un médecin ▶ Indiquez à votre médecin le type de peinture ou d'agent de nettoyage par lequel la blessure a été provoquée

- ▶ La pression maximale de travail du pistolet airless pulvérisateur est de 250 Bar ▶ Ne dirigez jamais le pistolet airless vers une partie du corps, quelle qu'elle soit ▶ Ne laissez jamais une partie du corps entrer en contact avec le flux de liquide
- ▶ Ne laissez jamais votre corps au contact d'une fuite dans le tuyau de liquide ▶ Ne placez jamais vos mains devant le pistolet airless ▶ Les gants ne constituent pas un rempart suffisant contre les blessures par projection ▶ Ne pointez jamais le pistolet airless en direction d'une autre personne
- ▶ Bloquez toujours la gâchette du pistolet airless, éteignez la pompe et vidangez toute la pression avant toute opération d'entretien, avant de nettoyer une buse ou une protection, avant de changer une buse ou si vous laissez l'appareil sans surveillance ▶ La pression ne s'évacue pas simplement en éteignant le moteur ▶ La manette d'amorceur/pulvérisateur doit être placée en position amorçage pour vidanger la pression
- ▶ Consultez la procédure de décompression décrite dans le manuel de la pompe ▶ Conservez toujours la protection de la buse en place lorsque vous pulvérisez ▶ La protection de la buse fournit une certaine protection mais il s'agit principalement d'un système d'alarme
- ▶ Enlevez toujours la buse de pulvérisation avant de rincer ou de nettoyer le système ▶ Le tuyau peut présenter des fuites dues à l'usure, aux pincements et aux mauvaises utilisations ▶ Toute fuite peut entraîner une projection de matériau dans la peau ▶ Vérifiez soigneusement le tuyau avant chaque utilisation ▶ N'utilisez jamais un pistolet airless sans blocage de gâchette et sans protection de gâchette ▶ Tous les accessoires doivent pouvoir travailler à la pression de travail maximale du pulvérisateur ou au-dessus ▶ Ceci concerne les buses de pulvérisation, le pistolet airless, les rallonges et le tuyau ▶ Risque: Risque d'explosion dû à des matériaux incompatibles - entraîne des blessures graves ou des dégâts matériels ▶ N'utilisez pas de matériaux contenant de l'eau de javel ou du chlore ▶ N'utilisez pas de solvants à l'hydrocarbure hydrogéné tels que l'eau de javel, les produits anti-moisissure, le chlorure de méthylène et le trichloéthane ▶ Ils ne

sont pas compatibles avec l'aluminium ►Prenez contact avec le fournisseur d'enduits pour plus d'informations concernant la compatibilité du matériau avec l'aluminium ►Risque: Généralités ►Peut entraîner des blessures sévères ou des dégâts matériels ►Lisez attentivement toutes les instructions et les consignes de sécurité avant de faire fonctionner l'équipement ►Ne pulvérisez jamais à proximité de sources d'ignition: flammes nues, cigarettes (les cigares et pipes sont également des sources d'ignition), étincelles, fils chauds et surfaces chaudes, etc ►Portez un équipement de protection des voies respiratoires lors de la pulvérisation ►L'opérateur doit porter un masque de protection ►Pour prévenir les accidents de travail, il est indispensable de respecter les instructions du fabricant concernant les matériaux, les solvants et les agents nettoyants lors de la préparation, du travail et du nettoyage de l'appareil ►Il est nécessaire de porter des vêtements de protection, des protections oculaires et, dans certains cas, une crème de protection de la peau ►Suivez attentivement les avertissements et con-signes du fabricant du matériau et du solvant ►Un équipement d'extraction doit être installé par l'utilisateur conformément aux réglementations locales en vigueur ►Les objets à pulvériser doivent être reliés à la masse ►Avant chaque utilisation, vérifiez que les tuyaux ne présentent ni coupures, ni fuites, ni signes d'abrasion ou de renflement du revêtement ►Vérifiez l'état et le mouvement des raccords ►Remplacez immédiatement les tuyaux s'ils sont en mauvais état ►Ne réparez jamais un tuyau; remplacez-le par un tuyau à haute pression relié à la masse ►Lorsque vous appuyez sur la détente, il se produit un mouvement de recul de la main qui tient le pistolet airless ►Le recul du pistolet airless est particulièrement puissant lorsque la buse a été démontée et lorsque la pompe sans air à haute pression a été réglée sur une pression élevée ►Par conséquent, lors du nettoyage sans buse, réglez la valve de contrôle de la pression sur la pression minimale ►N'utilisez que des pièces de rechange d'origine ►L'utilisateur assume tous les risques s'il utilise des pièces qui ne correspondent pas aux spécifications minimales et aux dispositifs de sécurité du fabricant de la pompe ►Toute décharge d'électricité statique du pistolet airless doit être dérivée vers la pompe à haute pression reliée à la masse par le tuyau

conducteur à haute pression, comme indiqué ►La température superficielle maximale correspond à la température admissible du produit ►Ces dernières ainsi que la température ambiante admissible sont indiquées au chapitre caractéristiques techniques ►Pour être certain que le pistolet airless ne produise d'étincelles, évitez les chocs et tout travail sur l'unité avec des outils dans la zone explosive.

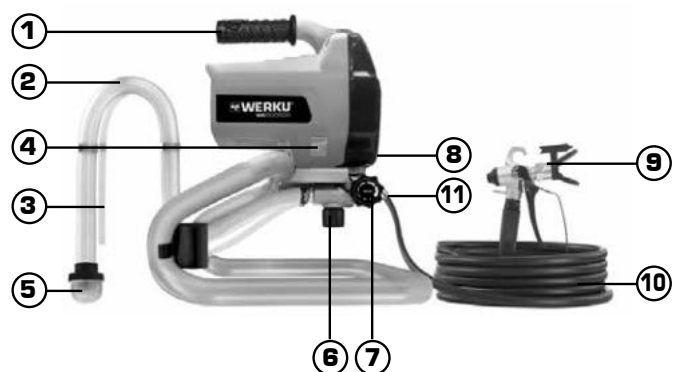
RISQUES RÉSIDUELS.

►Les risques résiduels sont des risques qui ne peuvent être exclus, même lorsque l'équipement est utilisé aux fins prévues ►Dans de tels cas, les endroits affectés par les risques résiduels seront indiqués à l'aide d'avertissements et/ou de panneaux d'interdiction.

Risque	Source / Cause	Incidence	Mesures préventives	Peut survenir pendant:
Blessure par injection	Flot de produit pulvérisé à haute pression	Blessure grave ou amputation	Ne JAMAIS pointer le pistolet vers une partie du corps	Montage, utilisation
Explosion ou incendie	Électricité statique ou étincelles	Blessure grave	Utiliser le pistolet dans un endroit bien aéré. Mettre à la terre le pistolet	Utilisation
Vapeurs dangereuses	Vapeurs dangereuses du produit à pulvériser	Blessure grave	Utiliser le pistolet dans un endroit bien aéré. Se servir d'un masque	Utilisation

DESCRIPTION DU PRODUIT.

►Le équipement électrique airless a été conçu pour effectuer des travaux de pulvériser à haute pression des matériaux de revêtement liquides ►Observez ce schéma pour vous familiariser avec la équipement électrique airless avant de l'utiliser.



1. Poignée transport.
2. Tuyau aspiration.
3. Conduite retour.
4. Interrupteur on/off.
5. Filtre arrivée.
6. Bouton soupape admission.
7. Régulateur pression.
8. Commutateur pulvérisation/amorçage.

- 9. Pistolet airless.
- 10. Tuyau airless.
- 11. Raccordement tuyau.

NOTICE D'UTILISATION.

► Avant de démarrer la équipement électrique airless, il est recommandé de lire complètement et minutieusement toutes les instructions ci-dessous
► Vous devrez également tenir compte des normes de prévention des accidents, des règlements et des directives ainsi que des lois et restrictions en vigueur pour les centres de travail ► La équipement électrique airless doit être utilisée uniquement par des personnes adéquatement formées à son maniement et respectant exclusivement les applications ici prévues.

SOURCE D'ALIMENTATION.

► Assurez-vous que la source d'alimentation est adaptée aux conditions spécifiées sur la plaque d'informations de la équipement électrique airless (1) ► Si vous utilisez un faible voltage, le moteur fonctionnera lentement ► Ce qui réduira le rendement et pourra provoquer une surchauffe du moteur.

RALLONGE.

► Si la zone de travail est éloignée de la source d'alimentation, utilisez une rallonge d'un diamètre et d'une qualité suffisants.

MISE À LA TERRE.

► Le équipement électrique airless doit être connecté à la terre quand il est utilisé, afin de protéger son utilisateur de possibles décharges électriques.

PULVÉRISATION/AMORÇAGE.

► Cette manette permet de basculer sur les modes « Amorçage » et « Pulvérisation » (2).

GICLEUR.

► Le gicleur est réversible et amovible afin de faciliter le nettoyage et toute action de désobstruction ► Faites tourner le gicleur en position « Pulvérisation » pour utiliser le pistolet en airless (3) ► Positionnez-le à l'opposé pour le nettoyer (4).

VIS DE RÉGLAGE DE LA PRESSION.

► La vis de réglage de la pression peut être réglée sur « Pulvérisation haute pression », « Pulvérisation basse pression », « Amorçage/

Nettoyage » et « Rouleau » ► Pour sélectionner la fonction souhaitée, alignez la vis de réglage sur l'indicateur situé sur le corps de l'appareil (5).

INSTALLATION.

► Enlevez ou couvrez les objets que vous souhaitez protéger de la peinture ► Raccordez le flexible de peinture à la sortie de l'appareil et serrez à l'aide d'une clé (6) ► Raccordez le flexible de peinture au pistolet airless et serrez à l'aide de deux clés (7) ► Positionnez la vis de réglage de la pression sur « Pulvérisation basse pression » (8).

LIBÉRATION DE LA PRESSION.

► Positionnez le bouton d'alimentation sur « Off » (éteint) et débranchez l'appareil de la prise de courant (9) ► Positionnez la manette « Pulvérisation/Amorçage » sur « Amorçage » (10) ► Dirigez le pistolet airless vers le seau de peinture et appuyez sur la gâchette pour libérer la pression (11) ► Note: Toujours passer en mode « Amorçage » entre les utilisations.

AMORÇAGE DU PISTOLET AIRLESS.

► Cette action doit être réalisée la première fois que l'appareil est utilisé, mais aussi pour purger les fluides stockés dans le pistolet airless
► Pour les peintures à base d'huile, purgez avec du white-spirit puis nettoyez à l'eau chaude propre ► Attention! Pour éviter les incendies : lorsque vous utilisez du white-spirit, connectez le pistolet airless au sol en le maintenant contre un récipient en métal pendant la purge ► Pour des peintures à l'eau (latex), purgez avec de l'eau chaude propre.

AMORÇAGE ET DÉMARRAGE.

► Séparez le tuyau d'amorçage (le plus petit) du tuyau d'aspiration (12) ► Placez le tuyau d'amorçage dans un contenant à déchets (13) ► Plongez le tuyau d'aspiration dans l'eau ou dans un solvant de purge (14) ► Positionnez la manette « Pulvérisation/Amorçage » sur « Amorçage (10) ► Positionnez la vis de réglage de la pression sur « Amorçage/Nettoyage » (15) ► Branchez le pistolet et allumez-le (16) ► L'appareil commencera à pomper, et l'eau ou le solvant de purge, ainsi que les bulles d'air seront purgés de l'appareil ► Laissez les liquides s'écouler du tuyau d'amorçage vers le

contenant à déchets pendant 30 à 60 secondes

- Positionnez ensuite le bouton d'alimentation sur « Off » (éteint) (9)
- Important : si le solvant ne s'écoule pas par les tuyaux, appuyez sur le bouton de déverrouillage rouge d'entrée situé sous la pompe, afin de relâcher la bille de rétention d'entrée (17)
- Retirez le tuyau d'aspiration de l'eau ou du solvant de purge et plongez-le dans le seau de peinture (18)
- Positionnez le bouton d'alimentation sur « On » (allumé) (16)
- La peinture doit alors s'écouler du tuyau d'aspiration jusqu'à l'appareil et au tuyau d'amorçage, jusqu'à ce qu'il n'y en ait plus dans le tuyau de retour
- Positionnez le bouton d'alimentation sur « Off » (9)
- Retirez le tuyau d'amorçage du contenant à déchets, accrochez-le au tuyau d'aspiration et plongez-le dans le seau de peinture (19)
- Positionnez le bouton d'alimentation sur « On » (16)
- Dirigez le pistolet airless vers le contenant à déchets et actionnez la gâchette (11)
- Positionnez la manette « Pulvérisation/Amorçage » sur « Pulvérisation » et continuez à pulvériser à l'intérieur du contenant à déchets (20)
- Cessez de pulvériser
- Stoppez la pulvérisation si le moteur s'arrête : cela signifie que la pompe et les tuyaux sont amorcés
- S'il ne s'arrête pas, répétez les étapes d'amorçage
- Vous pouvez commencer à peindre.

PEINDRE.

- Avant de peindre, assurez-vous que l'appareil a bien été amorcé et vérifiez que le gicleur est correctement aligné
- Retirez ou couvrez les objets que vous souhaitez protéger de la peinture
- Une fois que l'appareil est amorcé, réglez le gicleur sur la position « Pulvérisation » (3)
- Commencez à pulvériser la peinture en utilisant le réglage le plus bas de la vis de réglage de la pression et augmentez la pression en fonction de vos besoins en tournant la vis de réglage dans le sens des aiguilles d'une montre afin d'obtenir un jet de peinture uniforme (21)
- Appliquez les techniques de peinture décrites ci-dessous sur une pièce de rebut avant de vous lancer dans la peinture de votre pièce de travail.

TECHNIQUES DE PEINTURE.

- Avant de peindre, assurez-vous que l'appareil a bien été amorcé et vérifiez que le gicleur est correctement aligné
- Maintenez le pistolet airless à environ 30 cm de la surface
- Maintenez le pistolet airless droit et déplacez votre bras

- d'un côté puis de l'autre à un rythme régulier tout en maintenant le pistolet à 30 cm de la surface (22)
- Ne secouez pas le pistolet airless car la peinture serait inégale (23)
- Superposez chaque couche de pulvérisation par moitié et dirigez toujours la pulvérisation vers la partie inférieure de la dernière couche (24).

DÉSObSTRUCTION DU GICLEUR DE PULVÉRISATION.

- Parfois, de la peinture peut boucher le gicleur du pistolet airless
- Suivez ces instructions pour désobstruer le gicleur du pistolet airless
- Positionnez le bouton d'alimentation sur « Off » (9)
- Positionnez le gicleur sur « Clean/Eject » (4)
- Positionnez la manette « Pulvérisation/Amorçage » sur « Pulvérisation » (20)
- Allumez l'appareil (16)
- Pulvériser à l'intérieur d'un contenant à déchets jusqu'à désobstruction du gicleur (11)
- Relâchez la gâchette
- Positionnez le gicleur en mode « Pulvérisation » (3).

NETTOYAGE.

- Positionnez le bouton d'alimentation sur « Off » et la manette « Pulvérisation/Amorçage » sur « Amorçage » (10)
- Dévissez et retirez le gicleur de pulvérisation (25) (26)
- Libérez la pression et drainez la peinture des tuyaux (27)
- Séparez les tuyaux (12)
- Placez le tuyau d'amorçage dans un contenant à déchets vide (13)
- Plongez le tuyau d'aspiration dans l'eau ou dans un liquide de purge (14)
- Branchez l'appareil et allumez-le (16)
- L'appareil commencera à pomper, et l'eau et le solvant de lavage ainsi que les bulles d'air seront purgés de l'appareil
- Laissez les liquides s'écouler du tuyau d'amorçage dans le seau à déchets jusqu'à ce que le liquide ressorte propre (28)
- Ensuite, positionnez le bouton d'alimentation sur « Off » (9)
- Positionnez la manette « Pulvérisation/Amorçage » sur « Pulvérisation » (20)
- Positionnez le bouton d'alimentation sur « On » (16)
- Pulvériser la peinture dans le seau de peinture (29)
- Quand la peinture devient plus diluée, pulvériser-la dans un contenant à déchets (30)
- Positionnez la manette « Pulvérisation/Amorçage » sur « Amorçage » (10)
- Continuez à purger jusqu'à ce qu'elle soit propre (31)
- Relâchez la gâchette, éteignez l'appareil et libérez la pression (9, 10, 11)
- Retirez le protecteur de la gâchette du corps de l'appareil (32)
- Dévissez la vis derrière le connecteur pivotant (33)
- Enlevez le filtre

(34) ► Nettoyez toutes les pièces à l'eau chaude savonneuse ou avec un liquide de purge et une brosse à crins (35).

STOCKAGE.

► En cas de nettoyage pour un stockage prolongé (plus de 48 heures), il est important de ne pas ranger l'appareil s'il reste des traces d'eau ou des solutions aqueuses dans la pompe, le tuyau, les raccords ou le pistolet airless ► Ces substances provoqueraient des effets corrosifs sur l'appareil ► Il est très important de nettoyer l'appareil avant de le ranger ► Retirez le flexible de peinture si vous ne l'avez pas encore fait (36) ► Retournez l'appareil et desserrez les colliers des deux tuyaux. Retirez ensuite les tuyaux du corps de la pompe (37) ► Ajoutez 30 millilitres d'huile domestique légère ou d'un lubrifiant de stockage pour pompes dans chaque orifice (38) ► Positionnez la manette « Pulvérisation/Amorçage » sur « Pulvérisation » (20) ► Positionnez la vis de réglage de la pression sur « Pulvérisation basse pression » (8) ► Maintenez un chiffon à la sortie du flexible de peinture. (39) ► Positionnez le bouton d'alimentation sur « On » pendant cinq secondes, puis positionnez-le sur « Off » (40) ► Positionnez la manette « Pulvérisation/Amorçage » sur « Amorçage » pour conserver les liquides de stockage dans l'appareil (10) ► Réinstallez les tuyaux et fixez-les avec les colliers (41) ► Nettoyez l'appareil avec un chiffon propre ► Stockez l'appareil dans un endroit propre et sec, hors de portée des enfants.

ENTRETIEN.

► La équipement électrique airless a été conçue pour fonctionner longtemps avec un minimum d'entretien ► Le fonctionnement optimal de la équipement électrique airless dépend des soins qui lui sont apportés et d'un nettoyage fréquent ► Pour éviter des accidents, débranchez toujours la équipement électrique airless de sa source d'alimentation avant de la nettoyer ou de l'entretenir ► La équipement électrique airless doit toujours être nettoyée de manière efficace en utilisant de l'air comprimé à la fin de chaque utilisation ► Utilisez toujours des lunettes de protection quand vous travaillez avec de l'air comprimé ► Si vous ne pouvez pas utiliser d'air comprimé, retirez la poussière de la équipement électrique airless à l'aide d'une brosse ► Les fentes de ventilation du moteur et les interrupteurs doivent être toujours propres

et dépourvus de tout résidu ► N'essayez pas de les nettoyer en introduisant des objets pointus par les ouvertures ► Certains produits de nettoyage et certains solvants, comme l'essence, le tétrachlorométhane, les solvants chlorés, l'ammoniaque et les produits de nettoyage domestiques contenant de l'ammoniaque, endommagent les composants en plastique ► N'utilisez aucun de ces produits pour nettoyer la équipement électrique airless ► Si la machine produit beaucoup d'étincelles, faites réviser et/ou remplacer les balais par le service officiel de réparation Werku®.

PROTECTION DE L'ENVIRONNEMENT.

► Les matériaux et composants utilisés pour fabriquer ce produit peuvent être réutilisés et recyclés ► Werku® a adhéré à un Système Intégré de Gestion qui se charge de l'élimination correcte des résidus de ce produit ► Ne jetez pas ce produit dans les ordures domestiques ► Werku® propose à ses clients un service gratuit de collecte de ces résidus dans tous ses points de vente, dans les points de collecte listés par le Système Intégré de Gestion ou dans les points de collecte de votre commune.

GARANTIE ET SERVICE TECHNIQUE.

► Outre la garantie légale, Werku® offre une garantie commerciale supplémentaire ► Cette garantie commerciale couvre la réparation des défauts résultant de défaillances dans le matériel ou la fabrication ► Pour cela, les défauts doivent être constatés pendant la période de validité ► Le consommateur a droit à la réparation gratuite des défauts que Werku® reconnaît comme inclus dans la garantie commerciale (frais envoi, main d'œuvre et matériaux inclus), au choix de Werku®, au moyen de la simple réparation ou par remplacement (le cas échéant, par un modèle postérieur) ► Cette garantie commerciale n'affecte pas les droits du consommateur établis légalement par la Directive 1999/44/CE ► La période de validité de cette garantie commerciale est de 24 mois ► Si ce produit est destiné à une utilisation professionnelle ou industrielle, la période de validité est de 12 mois ► La période de validité débute à la date d'achat par le premier consommateur ► Cette date figure sur la facture ou le ticket de caisse ► Le droit de réclamer l'application de cette garantie commerciale expire six mois après la fin de la période de validité ► Les réclamations en vertu de cette

garantie commerciale doivent être présentées au distributeur ou au Service d'Assistance Technique

- Pour cela, il est indispensable de présenter cette garantie dûment complétée et tamponnée par le distributeur, accompagnée de la facture ou du ticket d'achat
- Pour toute information relative à cette garantie commerciale, l'acheteur et/ou le distributeur peut contacter le Service d'Assistance Technique au +34 981 648 119, ou par courrier électronique à info@werku.com
- Sont exclus de cette garantie commerciale les défauts causés par des pièces usées résultant d'une utilisation naturelle, les défauts causés par le non respect ou la mauvaise application de la notice d'utilisation ou par une utilisation non conforme à celle à laquelle est destiné ce produit, par des facteurs environnementaux anormaux ou une surcharge, un entretien ou un nettoyage inadéquats, les défauts causés par l'utilisation d'accessoires ou de pièces de rechange qui ne sont pas des pièces d'origine Werku® et si le produit a été totalement ou partiellement démonté, modifié ou réparé par du personnel autre que celui du Service d'Assistance Technique, ou s'il s'agit d'irrégularités minimales et insignifiantes pour une utilisation et un fonctionnement adéquats
- Les réparations et remplacements ne prolongent ni ne renouvellent le délai de validité de cette garantie commerciale
- Les pièces remplacées sont la propriété de Werku®
- Si l'acheteur remet le produit au Service d'Assistance Technique en ne remplissant pas les conditions de cette garantie commerciale, les frais et risques du transport seront à sa charge
- Cette garantie commerciale est valable sur le territoire de l'Union Européenne
- L'entreprise responsable de l'application de cette garantie commerciale Werku® est Werku Tools SA.

ASSISTANCE TECHNIQUE.

- Werku® met à votre disposition son service technique pour répondre à toutes les questions sur ses produits
- Si vous souhaitez contacter notre équipe, veuillez envoyer un courrier électronique à l'adresse suivante: info@werku.com.

CE CONFORMITEITSVERKLARING.

► Werku® verklaart dat de airless electro uitrusting **WK500500** in overeenstemming is met de Europese richtlijnen en normen 2006/42/CE, 2006/95/CE, EN12621:2006+A1:2010 en EN60204-1:2006+A1.

La Coruña, 01/08/2019

R Yáñez

Werku Tools SA

TECHNISCHE EIGENSCHAPPEN.

► Spanning-frequentie 230V~50Hz ► Vermogen 0.7HP / 500W ► Beveiliging index IP23
► Werkdruk 120-170 bar ► Maximale druk 205 bar
► Draad NPS 1/4" ► Vloei 1.4 l/min⁻¹ ► Sproeimond diameter ≤ 0.019" ► Werk temperatuur 5-40°C
► Slang lengte 7.5 m ► Netto gewicht 8.5 kg
► Geluidsdruk LpA ≤ 89 dB(A) ► Akoestische druk LwA ≤ 90.82 dB(A) ► Vibratie Aw ≤ 0.715 m/s².

VEILIGHEIDSINSTRUCTIES.

► Lees alle beveiligingswaarschuwingen en alle instructies ► Het niet opvolgen van alle hieronder vermelde waarschuwingen en instructies kan leiden tot elektrische schokken, brand en/of ernstig letsel ► Bewaar alle waarschuwingen en voorschriften voor toekomstig gebruik ► Ongevallen kunnen meestal worden voorkomen door erkenning van een potentiële gevaarlijke situatie voordat deze plaatsvindt en door het observeren van de juiste veiligheidsprocedures ► Deze airless electro uitrusting niet gebruiken voor andere toepassingen dan die in deze handleiding zijn gespecificeerd.

VEILIGHEID OP DE WERKOMGEVING.

► Houw de werkomgeving schoon en goed verlicht
► Een rommelige of onverlichte werkomgeving kan ongevallen veroorzaken ► Gebruik geen electro uitrusting in explosieve omgevingen, zoals in de aanwezigheid van brandbare vloeistoffen, gassen of stoffen ► Houw kinderen en nieuwsgierigen uit de buurt tijdens het gebruiken van een electro uitrusting
► Afschietingen kunnen controleverlies veroorzaken.

PERSOONLIJKE VEILIGHEID.

► Blijf alert, let op wat u doet en gebruik uw gezond verstand bij het bedienen van een electro uitrusting ► Gebruik geen electro uitrusting wanneer u moe of onder invloed bent van

drugs, alcohol of medicijnen ► Een moment van onoplettendheid bij het gebruik van electro uitrusting kan ernstige persoonlijke schade veroorzaken.

GEBRUIK PBM'S.

► Gebruik een beschermingsbril volgens EN166
► Gebruik een beschermingsmasker volgens EN149 ► Gebruik gehoorbeschermers volgens EN352 ► Indien vereist door de aard van het werk, gebruik andere precieze PBM's.

NIET OP DE TENEN WERKEN.

► Houw de voeten goed op de grond en blijf in ieder moment in evenwicht
► Dit vergemogelijkt een betere controle van het electro uitrusting in onverwachte situaties.

DRAAG GESCHIKTE KLEDING.

► Draag geen losse kleding of sieraden ► Houw uw haar, kleding en handschoenen uit de buurt van bewegende delen ► Losse kleding, sieraden en lange haren kunnen door bewegende delen worden opgenomen ► Als er apparaten zijn voor de verbinding van extractiemiddelen en stofverzamelaars, zorg erdan voor dat ze zijn aangesloten en juist worden gebruikt ► Het gebruik van deze apparaten kan gevaren die met stof te maken hebben verminderen.

ELEKTRISCHE VEILIGHEID.

► De stekker van het electro uitrusting moet bijpassend zijn met de basis van het stopcontact ► Verander de stekker nooit; op welke manier ook ► Gebruik geen verloopstekkers met geaard electro uitrusting ► Onveranderde stekkers en passende stopcontacten zullen het risico op een elektrische schok verminderen ► Vermijd lichamelijk contact met geaarde oppervlakken zoals buizen, verwarmingen, fornuizen en koelkasten ► Er bestaat een verhoogd risico op een elektrische schok wanneer uw lichaam geaard is ► Electro uitrusting niet blootleggen aan regen of natte omstandigheden ► Water in het electro uitrusting zal het risico op een elektrische schok verhogen.

HET SNOER NIET MISBRUIKEN.

► Gebruik het snoer nooit om het electro uitrusting te dragen, op te tillen of uit de stekker te trekken ► Houd het snoer uit de buurt van hitte, olie, scherpe randen of bewegende onderdelen ► Een beschadigd of verward snoer

verhoogt het risico op een elektrische schok
► Bij het gebruik buitenshuis van het electro uitrusting, gebruik maken van een verlengsnoer dat geschikt is voor gebruik buitenshuis ► Het gebruik van een verlengsnoer dat geschikt is voor gebruik buitenshuis vermindert het risico op een elektrische schok ► Als het gebruik van het electro uitrusting in een vochtige omgeving onvermijdelijk is, gebruik dan een stroom beveiligd met een aardlekschakelaar (RCD) ► Het gebruik van een aardlekschakelaar vermindert het risico van een elektrische schok.

VOORKOM HET ONOPZETTELIJK INSCHAKELEN.

► Zorg ervoor dat de schakelaar op de "off" positie staat voor de verbinding met het netwerk of het transporteren van het electro uitrusting
► Het dragen van het electro uitrusting met uw vinger aan de schakelaar of het aansluiten van het electro uitrusting met de schakelaar op de "on" positie, nodigt uit tot ongevallen ► Verwijder sleutels of gereedschap voor het starten van het electro uitrusting ► Een achtergelaten sleutel of gereedschap in een draaiend onderdeel van het electro uitrusting kan persoonlijk letsel veroorzaken.

GEBRUIK EN ONDERHOUD VAN ELECTRO UITRUSTING.

► Forceer het electro uitrusting niet ► Gebruik het juiste electro uitrusting voor de toepassing
► Met het juiste electro uitrusting werkt u beter en veiliger binnen het toerental waarvoor deze werd ontworpen ► Gebruik het electro uitrusting niet als de schakelaar niet kan worden geplaatst op de "on" en "off" posities ► Elk electro uitrusting dat niet kan worden in- of uitgeschakeld is gevaarlijk en moet worden gerepareerd ► Trek de stekker uit het stopcontact en/of de accu voordat u afstellingen verricht, accessoires verwisselt of het electro uitrusting weglegt ► Dergelijke preventieve veiligheidsmaatregelen verminderen het risico op het onopzettelijk aanzetten van het electro uitrusting.

HET OPSLAAN VAN PERSLUCHTGEREEDSCHAP.

► Electro uitrusting dat niet in gebruik is moet worden opgeladen buiten het bereik van kinderen en mag niet worden gebruikt door personen zonder ervaring met electro uitrusting of door mensen die deze instructies niet kennen ► Electro uitrusting is gevaarlijk in de handen van onervaren gebruikers.

ONDERHOUD.

► Controleer of bewegende delen niet los zitten of vastgelopen zijn, of er geen gebroken onderdelen of andere omstandigheden zijn die de werking van electro uitrustingen kunnen beïnvloeden ► Electro uitrusting moet worden gerepareerd voor gebruik en wanneer deze beschadigd zijn ► Veel ongelukken worden veroorzaakt door slecht onderhouden electro uitrusting ► Gebruik electro uitrusting en accessoires volgens deze instructies en op de wijze die voor het specifieke type electro uitrusting geldt, rekening houdend met de werkomstandigheden en het te ontwikkelen werk ► Het gebruik van electro uitrusting voor andere dan de voorziene toepassingen kan tot gevaarlijke situaties leiden ► Laat uw electro uitrusting controleren en repareren door een officiële Werku® reparatieservice en gebruik alleen originele vervangingsonderdelen ► Dit zal de veiligheid van het electro uitrusting in stand houden.

CONTROLEER DE GOEDE STAAT VAN DE AIRLESS ELECTRO UITRUSTING.

► Zorg ervoor dat alle schroeven in de airless electro uitrusting perfect zijn vastgedraaid ► Laat de airless electro uitrusting opwarmen door deze leeg te gebruiken gedurende koude klimaten of als de airless electro uitrusting een lange periode niet gebruikt is, om ervoor te zorgen dat alle interne componenten perfect gesmeerd worden ► Zorg ervoor dat de eventuele geïnstalleerde accessoires perfect aangebracht zijn en op zijn platas zitten.

VOORDAT U BEGINT.

► Voordat u de airless electro uitrusting gebruikt, zorg ervoor dat u stevig staat ► Controleer of er niemand onder de airless electro uitrusting influentiezone staat indien u in de hoogte werkt ► Houw uw handen uit de buurt van alle bewegende delen van de airless electro uitrusting.

TIJDENS HET WERKEN.

► De airless electro uitrusting niet laten werken zonder deze stevig vast te houden ► Laat deze allen werken als u zeker bent dat u volledige controle over de airless electro uitrusting heeft ► Richt de airless electro uitrusting nooit op iemand terwijl deze in gebruik is ► Bij gebruik van de airless electro uitrusting kunnen trillingen optreden ► Schroeven kunnen geleidelijk loskomen en mogelijk storingen of ongevallen

veroorzaken ► Houw uw handen uit de buurt van alle bewegende delen van de airless electro uitrusting.

HET WERK EINDE.

► Na gebruik, niet de geïnstalleerde accessoires in de airless electro uitrusting aanraken ► Deze kunnen heet zijn en brandwonden veroorzaken ► Sommige materialen waarmee gewerkt is kunnen chemicaliën of giftige componenten bevatten ► Vermijd het inademen van deze stoffen of met deze in contact komen met de huid ► Gebruik PBM's ter voorkoming en bestrijding van incidenten van deze aard.

VEILIGHEIDSRICHTLIJNEN HOGEDRUKSLANG.

► Let op, gevaar voor letsel door injectie! ► Door slijtage, knikken en niet-doelmatig gebruik kunnen lekplaatsen in de hogedrukslang ontstaan ► Door een lekplaats kan vloeistof in de huid geïnjecteerd worden ► Hogedrukslang vóór elk gebruik grondig controleren ► Vervang een beschadigde hogedrukslang onmiddellijk ► Probeer nooit een defecte hogedrukslang zelf te repareren! ► Vermijd scherpe bochten en knikken ► De kleinste buigstraal mag ongeveer 20 cm bedragen ► Rijd niet over de hogedrukslang en bescherm deze tegen scherpe voorwerpen en kanten ► Nooit aan de hogedrukslang trekken om het toestel te bewegen ► Hogedrukslang niet verdraaien ► Hogedrukslang niet in oplosmiddel leggen ► Buitenkant alleen met een doordrenkte doek afvegen ► Hogedrukslang zo leggen, dat er geen struikelgevaar bestaat ► Elektrostatische lading van spuitpistool en hogedrukslang wordt via de hogedrukslang afgeleid ► Daarom moet de elektrische weerstand tussen de aansluitingen van de hogedrukslang gelijk zijn aan of kleiner zijn dan 197 kΩ/m.

VEILIGHEIDSRICHTLIJNEN AIRLESS PISTOOL.

► Neem altijd de veiligheidsvoorschriften in acht ► Alle lokale en nationale verordeningen inzake ventilatie, brandpreventie en bediening moeten in acht worden genomen ► Gevaar: Persoonlijk letsel door injectie ► Een straal onder hoge druk afkomstig uit deze airless pistool is krachtig genoeg om de huid en het onderliggende weefsel binnen te dringen, hetgeen kan leiden tot ernstig persoonlijk letsel waarbij zelfs amputatie

noodzakelijk kan blijken ► Behandel persoonlijk letsel tgv injectie niet als een simpele snee ► Injectie kan tot amputatie leiden ► Raadpleeg onmiddellijk een arts ► Breng uw arts op de hoogte met welk soort coatingmateriaal of reinigingsmiddel het letsel is veroorzaakt ► De maximaal toegestane bedrijfsdruk van dit airless pistool bedraagt 250 Bar ► Nooit dit airless pistool op enig lichaamsdeel richten ► Nooit een lichaamsdeel in de vloeistofstraal houden ► Niet met een lichaamsdeel een eventuele lekkage in de vloeistofslang proberen af te dichten ► Nooit uw hand voor dit airless pistool houden ► Handschoenen geven geen bescherming tegen persoonlijk letsel door injectie ► Nooit dit airless pistool op een persoon richten ► Altijd de trekker van dit airless pistool vergrendelen, de compressor uitschakelen en de druk laten ontsnappen voordat u het apparaat een onderhoudsbeurt geeft, de spuitmond of beschermkap daarvan schoonmaakt, de spuitmond verwisselt of het apparaat onbeheerd achterlaat ► Uitschakelen van de compressormotor betekent niet automatisch dat het systeem drukloos wordt ► De prime/spray (doorspuiten/spuiten) selectiehandel in de stand prime zetten om de druk te laten ontsnappen ► Voor gedetailleerde informatie over de te volgen procedure voor het drukloos maken van het apparaat, zie de compressorhandleiding ► Altijd de beschermkap van de spuitmond tijdens het spuiten op zijn plaats laten ► De beschermkap van de spuitmond geeft enige bescherming, maar is hoofdzakelijk een waarschuwingsmiddel ► Altijd de spuitmond verwijderen alvorens het systeem door te spoelen of te reinigen ► Er kan lekkage in de slang ontstaan ten gevolge van slijtage, knikken van de slang of verkeerd gebruik ► Een lek kan de oorzaak zijn van het feit dat spuitlak in de huid terechtkomt ► Controleer de slang voor elk gebruik ► Nooit een airless pistool gebruiken waarvan de vergrendeling van de trekker niet werkt en de beschermkap van de trekker niet op de juiste plaats zit ► Alle accessoires dienen minimaal geschikt te zijn voor gebruik op de maximale toegestane bedrijfsdruk van de nevelspuitinstallatie ► Dit geldt tevens voor de spuitmonden, verlengstukken en slang ► Gevaar: Explosiegevaar tgv gebruik van ongeschikte stoffen ► Dit heeft ernstig

persoonlijk letsel of materiële schade tot gevolg

- ▶ Gebruik geen stoffen die bleekmiddel of chloor bevatten
- ▶ Gebruik geen oplosmiddelen die halogeenkoolwaterstoffen bevatten, zoals bleek, meeldauwbestrijdingsmiddel, methylchloride en trichloroethaan
- ▶ Deze zijn ongeschikt voor gebruik in combinatie met aluminium
- ▶ Neem contact op met uw coating-fabrikant inzake de geschiktheid van stoffen op aluminium
- ▶ Gevaar: Algemeen
- ▶ Dit kan ernstig persoonlijk letsel of materiële schade tot gevolg hebben
- ▶ Lees alle instructies en veiligheidsvoorzorgsmaatregelen voordat u dit airless pistool bedient
- ▶ Spuit nooit dichtbij een ontstekingsbron zoals open vuur, sigaretten (ook sigaren en pijpen zijn ontstekingsbronnen), vonken, hete elektriciteitskabels en hete oppervlakten
- ▶ Draag een beademingsuitrusting wanneer u aan het spuiten bent
- ▶ Degene die het airless pistool bedient, dient een veiligheidsmasker te dragen
- ▶ Volg de voorschriften van de fabrikant van de stoffen, oplosmiddelen en reinigingsmiddelen wanneer u het apparaat voorbereidt, ermee werkt of dit reinigt, om te voorkomen dat u ziek wordt op uw werk
- ▶ Veiligheidskleding, -handschoenen en -bril en, in sommige gevallen, ook veiligheids crème zijn noodzakelijk om de huid te beschermen
- ▶ Volg de waarschuwingen en instructies van de fabrikant van het coatingmateriaal en de oplosmiddelen op
- ▶ Afzuigapparatuur dient door de gebruiker geïnstalleerd te worden overeenkomstig de ter plekke geldende voorschriften
- ▶ De te spuiten objecten moeten geaard zijn
- ▶ Controleer voor elk gebruik alle slangen op inkervingen, lekkage, slijtage of uitstulping van de omhulling
- ▶ Controleer op schade van of speling in verbindingstukken
- ▶ Vervang de slang meteen indien zich een van deze situaties voordoet
- ▶ Repareer een slang nooit
- ▶ Vervang de slang door een andere gearde hogedrukslang
- ▶ Bediening van de trekker veroorzaakt een terugslag van de hand die het airless pistool vasthoudt
- ▶ De terugslag van het airless pistool is bijzonder krachtig wanneer de spuitmond is verwijderd en de compressor op een hoge spuitdruk is ingesteld
- ▶ Zet de drukregelaar op de laagst mogelijke stand alvorens de spuitmond te verwijderen en de apparatuur te reinigen
- ▶ Gebruik alleen onderdelen die door de fabrikant zijn goedgekeurd
- ▶ De gebruiker neemt alle

risico's en de aansprakelijkheid op zich wanneer hij onderdelen gebruikt die niet voldoen aan de minimale specificaties en veiligheidsrichtlijnen zoals opgesteld door de fabrikant van het airless pistool

- ▶ Alle afvoer van statische elektriciteit van het airless pistool dient, zoals voorgeschreven, via de geleidende hogedrukslang naar de gearde hogedrukcompressor te worden afgeleid
- ▶ De max oppervlaktetemperatuur komt overeen met de toegestane materiaal-temperatuur
- ▶ Deze en de toegestane omgevingstemperatuur zijn in het hoofdstuk technische gegevens te vinden
- ▶ Oefen geen overmatige kracht uit op de apparatuur en werk niet met gereedschap aan de installatie in ruimtes waar explosiegevaar bestaat, om vonkvorming te voorkomen.

RESTRISICO'S.

▶ Restriscio's zijn risico's, die niet uitgesloten kunnen worden, zelfs wanneer de apparatuur gebruikt wordt voor het beoogde doel

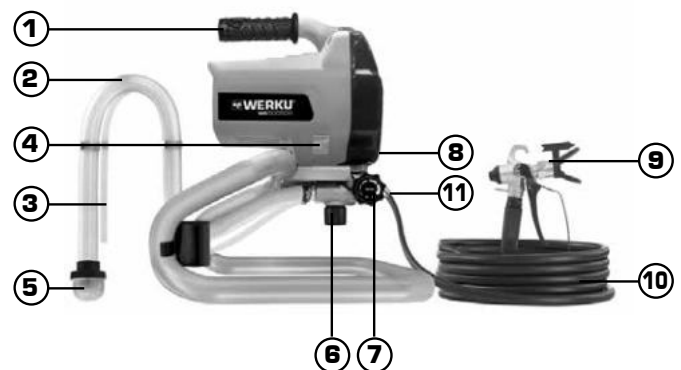
▶ In dergelijke gevallen zullen de toepasselijke gebieden van de actuele restriscio's gesignaleerd worden door waarschuwings- en / of verbodssignalen.

Risico	Bron / Oorzaak	Gevolg	Preventieve maatregelen	Kan zich voordoentijdens:
Injectie-letsel	Stroom van de verstoven vloeistof onder hoge druk	Ernstig letsel of amputatie	Richt NOOIT het pistool op een deel van het lichaam	Installatie, Bediening
Explosie of brand	Statische elektriciteit of vonken	Ernstig letsel	Gebruik een goed geventileerde ruimte. Aard het airless pistool	Bediening
Gevaarlijke dampen	Gevaarlijke dampen van het spuitmateriaal	Ernstig letsel	Gebruik een goed geventileerde ruimte. Gebruik een masker	Bediening

BESCHRIJVING VAN HET PRODUCT.

▶ De airless electro uitrusting is ontworpen om vloeibare coatingstoffen onder hoge druk te vernevelen

▶ Raadpleeg voor gebruik dit plan om vertrouwd te raken met de airless electro uitrusting.



1. Draaggreep.
2. Aanzuigslang.
3. Retourleiding
4. On/off schakelaar.
5. Inlaatfilter.
6. Inlaatklepdrucker.
7. Drukregelaar
8. Spuiten/vullen keuzeschakelaar.
9. Airless pistool.
10. Airless slang.
11. Slangaansluiting.

GEBRUIKSAANWIJZING.

► Voor het starten van de airless electro uitrusting, raden wij u aan zorgvuldig alle aangegeven instructies te lezen ► Respecteer alle voorschriften met betrekking tot de preventie van ongevallen, gezondheids- en veiligheidsrichtlijnen, wetten en toepasselijke beperkingen voor werkplekken ► De airless electro uitrusting mag alleen worden gebruikt door personen die geïnstrueerd zijn in het gebruik ervan en uitsluitend voor de doeleinden waarvoor deze is ontworpen.

ENERGIE VOEDING.

► Zorg ervoor dat de energie voeding is aangepast aan de op het informatiebord van de airless electro uitrusting eisen (1) ► Bij een lage spanning zal de airless electro uitrusting langzaam opereren ► Hierdoor zullen de prestaties verminderen en kan de motor oververhit raken.

VERLENGSNOER.

► Als de werkplasts op enige afstand van de energie voeding ligt, gebruik dan een verlengsnoer van voldoende diameter en kwaliteit.

AARDAANSLUITING.

► Tijdens gebruik moet de airless electro uitrusting op aarde worden aangesloten om de gebruiker tegen mogelijke elektrische schokken te beschermen.

SPUITEN/VULLEN.

► Met deze schakelaar kiest u tussen de modi “vullen” en “spuiten” (2).

SPUITSTUK.

► Het spuitstuk is omkeerbaar en afneembaar om het reinigen en ontstoppen te vergemakkelijken

► Zet het spuitstuk op “spray” om de airless spuit te gebruiken (3) ► Zet het in de tegenpositie om het spuitstuk te reinigen (4).

DRUKREGELAAR.

► De drukregelaar kan worden ingesteld op “hogedrukspuiten”, “lagedrukspuiten”, “vullen/reinigen” en “wals” ► Om de gewenste functie te kiezen, laat u de drukregelaar samenvallen met de indicator op de behuizing (5).

INSTALLATIE.

► Verwijder of bedek de voorwerpen die u wenst te beschermen tegen de gespoten verf ► Sluit de verfslang aan op de uitgang van het apparaat en zet vast met een sleutel (6) ► Sluit de verfslang aan op de airless spuit en zet vast met twee sleutels (7) ► Zet de drukregelaar op “lagedrukspuiten” (8).

DRUK AFLATEN.

► Zet de voedingsschakelaar op “off” (uit) en trek de stekker van het apparaat uit het stopcontact (9) ► Zet de schakelaar “spuiten/vullen” op “vullen” (10) ► Richt de airless spuit op de verfemmer en haal de trekker over om druk af te laten (11) ► Opmerking: Zet de schakelaar steeds op “vullen” tussen gebruik en gebruik.

AIRLESS SPUIT VULLEN.

► Deze procedure wordt gevolgd wanneer het apparaat voor het eerst wordt gebruikt en om de aanwezige vloeistoffen uit de airless spuit te verwijderen ► Voor verf op oliebasis spoelt u met terpentijnolie en vervolgens met schoon warm water ► Opgelet! Om brand te voorkomen: wanneer u terpentijnolie gebruikt, aard de airless spuit door deze tegen een metalen voorwerp te houden tijdens het spoelen ► Voor verf op waterbasis (latex) spoelt u met schoon warm water.

VULLEN EN STARTEN.

► Haal de kleinste vulbuis van de aanzuigbuis (12) ► Plaats de vulbuis in een opvangbak (13) ► Steek de aanzuigbuis in water of een oplosmiddel om te spoelen (14) ► Zet de schakelaar “spuiten/vullen” op “vullen” (10) ► Zet de drukregelaar op “vullen/reinigen” (15) ► Steek de stekker van het apparaat in het stopcontact en zet het aan (16) ► Het apparaat begint te pompen en het water of het oplosmiddel om te spoelen wordt samen met

luchtbellen uit het systeem verwijderd ► Laat de vloeistoffen gedurende 30 tot 60 seconden uit de vulbuis in de opvangbak stromen; zet dan de stroomschakelaar op “off” (uit) (9) ► Belangrijk: als het oplosmiddel niet door de slangen stroomt, probeer dan de rode vrijgaveknop van de ingang onder de pomp in te drukken om het kogelventiel van de ingang vrij te geven (17) ► Haal de aanzuigbuis uit het water of het oplosmiddel om te spoelen en steek de buis in de verfemmer (18) ► Zet de stroomschakelaar op “on” (aan) (16) ► De verf moet van de aanzuigbuis naar het apparaat en naar de vulbuis stromen tot de verf uit de terugvoerbuis stroomt ► Zet de stroomschakelaar op “off” (9) ► Haal de vulbuis uit de opvangbak, bevestig hem op de aanzuigbuis en steek hem in de verfemmer (19) ► Zet de stroomschakelaar op “on” (16) ► Richt de airless spuit op de opvangemmer en haal de trekker over (11) ► Zet de schakelaar “spuiten/vullen” op “spuiten” en blijf in de opvangbak spuiten (20) ► Stop met spuiten ► Stop met spuiten als de motor stopt ► Dit betekent dat de pomp en de buizen gevuld zijn ► Als de motor niet stopt, herhaal dan de stappen van het vulproces ► Begin te schilderen.

SCHILDEREN.

► Zorg voordat u begint met schilderen dat het apparaat is gevuld en controleer dat het spuitstuk in de juiste positie staat ► Verwijder of bedek de voorwerpen die u wenst te beschermen tegen de gespoten verf ► Wanneer het apparaat eenmaal is gevuld, zet u het spuitstuk op “spray” (3) ► Begin te spuiten met de drukregelaar op de laagste stand en verhoog de druk indien nodig door de regelaar met de wijzers van de klok mee te draaien zodat u een goed spuitpatroon verkrijgt (21) ► Oefen de onderstaande schildertechnieken op een werkstuk voordat u echt begint te schilderen.

SCHILDERTECHNIEKEN.

► Zorg voordat u begint met schilderen dat het apparaat is gevuld en controleer dat het spuitstuk in de juiste positie staat ► Houd de airless spuit op ongeveer 30 cm van het oppervlak ► Houd de airless spuit recht, beweeg uw arm met een regelmatig ritme van de ene kant naar de andere en blijf op 30 cm afstand van het oppervlak (22) ► Schud niet met de airless spuit of de verf wordt ongelijkmatig verdeeld (23) ► Laat elke laag verf de vorige voor de helft overlappen; richt de spuit altijd op de onderkant van de vorige laag (24).

SPUITSTUK ONTSTOPPEN.

► Het spuitstuk van de airless spuit kan af en toe verstoppert met verf ► Volg deze aanwijzingen om het spuitstuk van de airless spuit te ontstoppen ► Zet de stroomschakelaar op “off” (9) ► Zet het spuitstuk op “clean/eject” (4) ► Zet de schakelaar “spuiten/vullen” op “spuiten” (20) ► Zet het apparaat aan (16) ► Spuit in een opvangbak tot de verstopping weg is (11) ► Laat de trekker los ► Zet het spuitstuk op “spray” (3).

REINIGING.

► Zet de stroomschakelaar op “off” en de schakelaar “spuiten/vullen” op “vullen” (10) ► Draai het spuitstuk los en verwijder het (25) (26) ► Laat de druk af en verwijder de verf uit de buizen (27) ► Haal de buizen uit elkaar (12) ► Zet de vulbuis in een lege opvangbak (13) ► Steek de aanzuigbuis in water of in een spoelvloeistof (14) ► Steek de stekker van het apparaat in het stopcontact en zet het apparaat aan (16) ► Het apparaat begint te pompen en het systeem wordt gespoeld met het water of het oplosmiddel en de luchtbellen ► Laat de vloeistoffen uit de vulbuis in de opvangbak lopen tot de vloeistof zuiver is (28) ► Zet wanneer het vloeistof in de vulbuis zuiver is de stroomschakelaar op “off” (9) ► Zet de schakelaar “spuiten/vullen” op “spuiten” (20) ► Zet de stroomschakelaar op “on” (16) ► Spuit verf in de verfemmer (29) ► Wanneer de verf er verdund uitkomt, vervang dan de opvangbak (30) ► Zet de schakelaar “spuiten/vullen” op “vullen” (10) ► Blijf spoelen tot het schoon is (31) ► Laat de trekker los, zet het apparaat uit en laat de druk af (9, 10, 11) ► Haal de beschermer van de trekker uit de behuizing (32) ► Draai de moer achter de draaiconnector los (33) ► Neem het filter weg (34) ► Reinig alle onderdelen met warm zeepwater of een spoelvloeistof en een borsteltje (35).

BEWARING.

► Wanneer u het apparaat reinigt om het langdurig op te bergen (meer dan 48 uur), is het belangrijk dat u het apparaat niet met resten water of materialen op waterbasis in de pomp, slang, buizen of de airless spuit opbergt ► Deze stoffen kunnen het product aantasten ► Het is uiterst belangrijk het apparaat te reinigen voordat u het opbergt ► Neem de verfslang weg als u dit nog niet had gedaan (36) ► Draai het apparaat om en maak de klemmen van beide buizen los; maak vervolgens de buizen los van de pompbehuizing (37) ► Voeg ongeveer 30

milliliter lichte huishoudolie of een product om pompen op te bergen in elke opening (38) ► Zet de schakelaar "spuiten/vullen" op "spuiten" (20) ► Draai de drukregelaar op "lagedrukspuiten" (8) ► Houd een doek over de uitgang van de verfslang (39) ► Zet de stroomschakelaar vijf seconden op "on"; zet de schakelaar dan op "off" (40) ► Zet de schakelaar "spuiten/vullen" op "vullen"; zo blijven de vloeistoffen voor bewaring in het apparaat (10) ► Plaats de buizen opnieuw en zet ze vast met de klemmen (41) ► Maak het apparaat schoon met een schone doek ► Bewaar op een droge en schone plaats buiten het bereik van kinderen.

ONDERHOUD.

► De airless electro uitrusting is ontworpen voor een lange levensduur met een minimum aan onderhoud ► Optimaal gebruik hangt af van de juiste verzorging en regelmatige reiniging van de airless electro uitrusting ► Om ongelukken te voorkomen, altijd de stekker van de airless electro uitrusting uit het stopcontact halen vóór het schoonmaken of onderhoud ► De airless electro uitrusting kan na elk gebruik effectief worden gereinigd met behulp van perslucht ► Als er geen perslucht beschikbaar is, gebruik dan een borstel om stof van de airless electro uitrusting te verwijderen ► Motor ventilatieopeningen schakelaarhendels moeten altijd schoon en vrij van stoffen ► Probeer tijdens het schoonmaken niet puntige voorwerpen door de openingen te voegen ► Sommige reinigings- en oplosmiddelen kunnen schade verrichten aan de kunststof onderdelen, onder deze zijn benzine, tetrachloorkoolstof, chloorhoudende schoonmaakmiddelen, ammoniak en huishoudelijke schoonmaakmiddelen die ammoniak bevatten ► Gebruik geen van deze om de airless electro uitrusting schoon te maken ► Mochten er overmatige vonken ontstaan, laat dan de Werku® officiële reparatiedienst een revisie maken en/of de koolborstels vervangen.

MILIEU BESCHERMING.

► De materialen en componenten die zijn gebruikt om dit product te vervaardigen kunnen worden hergebruikt en gerecycleerd ► Werku® is gehecht aan een geïntegreerd managementsysteem dat verantwoordelijk is voor de correcte verwijdering van de residuen van dit product ► Gooi dit product niet weg met de gewone vuilnis ► Werku® biedt haar klanten een gratis collectiedienst voor deze

resten op elke verkooppunt, op het verzamelpunt van het managementsysteem en op het schone inzamelpunt van uw woonplaats.

GARANTIE EN TECHNISCHE SERVICE.

► Apart van de wettelijke garantie, biedt Werku® een extra commerciële garantie ► Deze commerciële garantie dekt de reparatie van alle geconstateerde gebreken die te wijten aan fouten in het materiaal of de fabricage ► Om deze dekking effectief te zijn is het noodzakelijk dat de gebreken verschijnen binnen de geldigheidsduur ► The consument heeft recht op gratis reparatie van alle defecten die Werku® erkent zoals opgenomen in de commerciële garantie (verzendkosten, arbeidskosten en materialen inbegrepen) en gekozen door Werku®, hetzij via de reparatie of door vervanging (eventueel met een nieuwer model) ► Deze commerciële garantie heeft geen invloed op de rechten van de consument gevestigd door de wet overeenkomstige Richtlijn 1999/44 /CE ► Deze commerciële garantie is geldig gedurende 24 maanden ► Als dit product is bestemd voor professioneel of industrieel gebruik, is de geldigheidsduur 12 maanden ► The geldigheidsduur begint op de datum van aankoop van de eerste consument ► Deze datum wordt getoond op de factuur of aankoopbon ► Acties voor claims tegen deze commerciële garantie vervallen zes maanden na het einde van de geldigheidsperiode ► Alle claims die voortvloeien uit deze commerciële garantie moeten aan de distributeur of aan de Technische Dienst worden voorgelegd ► Hiervoor moet u deze garantie correct ingevuld en gestempeld by de distributeur presenteren, samen met de factuur of kassabon ► Voor welke informatie ook over deze commerciële garantie, kunt U contact opnemen met de Technische Dienst op het telefoonnummer +34 981 648 119, of per e-mail op info@werku.com ► Deze commerciële garantie geldt niet voor defecten veroorzaakt door onderdelen die versleten zijn door gebruik en andere vormen van natuurlijke slijtage, defecten veroorzaakt door het niet opvolgen van de instructies voor het gebruik, bij toepassingen waarvoor dit product niet bestemd is, voor afwijkende omgevingsfactoren, overbelasting of onzorgvuldig onderhoud of reiniging, voor gebreken veroorzaakt door het gebruik van onderdelen, accessoires of

vervangingen die niet origineel Werku® onderdelen zijn, indien dit product geheel of gedeeltelijk gedemonteerd, aangepast of gerepareerd is door iemand verschillend van de Technische Dienst, bij minimale en irrelevante onregelmatigheden die het normale gebruik niet beïnvloeden ► Reparaties en vervangingen verlengen of vernieuwen de geldigheidsduur van deze commerciële garantie niet ► De vervangen onderdelen worden eigendom van Werku® ► Indien de koper dit product naar de Technische Dienst stuurt en deze niet voldoet aan de voorwaarden van deze commerciële garantie, zijn alle onkosten en transport risico's voor de koper ► Deze commerciële garantie is alleen geldig op het grondgebied van de Europese Unie ► Het bedrijf dat verantwoordelijk is voor de naleving van deze Werku® commerciële garantie is Werku Tools SA.

TECHNISCH ADVIES.

► De technische afdeling van Werku® staat tot uw beschikking om eventuele vragen op te lossen die u mocht hebben met betrekking tot zijn producten
► Als u contact wilt opnemen met ons team, stuur dan een e-mail naar info@werku.com.

DECLARAÇÃO CONFORMIDADE CE.

► Werku® declara que o equipamento eléctrico airless **WK500500** corresponde às Directivas e Normativas Europeias 2006/42/CE, 2006/95/CE, EN12621:2006+A1:2010 e EN60204-1:2006+A1.

La Coruña, 01/08/2019

R Yáñez

Werku Tools SA

CARACTERÍSTICAS TÉCNICAS.

► Voltagem-frequência 230V~50Hz ► Potência 0.7HP / 500W ► Índice protecção IP23 ► Pressão trabalho 120-170 bar ► Pressão máxima 205 bar ► Rosca NPS 1/4" ► Caudal 1.4 l/min⁻¹ ► Diâmetro boquilha ≤ 0.019" ► Temperatura trabalho 5-40°C ► Comprimento mangueira 7.5 m ► Peso líquido 8.5 kg ► Pressão acústica LpA ≤ 89 dB(A) ► Pressão acústica LwA ≤ 90.82 dB(A) ► Vibração Aw ≤ 0.715 m/s².

INSTRUÇÕES DE SEGURANÇA.

► Leia todos os avisos de segurança e todas as instruções ► Não seguir todas as advertências e as instruções listadas abaixo pode resultar em choque eléctrico, incêndio e/ou ferimento grave ► Manter todos os avisos e as instruções para referência futura ► Os acidentes poderam evitar-se em muitos casos dando-se conta de uma situação perigosa antes de que se produza, e observando fielmente os procedimentos de segurança apropriados ► Não utilize nunca este equipamento eléctrico airless para aplicações que não sejam as especificadas neste manual.

SEGURANÇA DO ÁREA DE TRABALHO.

► Manter a área de trabalho limpa e bem iluminada ► As áreas desorganizadas e escuras provocam acidentes ► Não opere equipamentos eléctricos em atmosferas explosivas, como na presença de líquidos, gases ou poeiras inflamáveis ► Manter longe do alcance das crianças e curiosos enquanto estiver operando um equipamento eléctrico ► As distrações podem fazer você perder o controle.

SEGURANÇA PESSOAL.

► Esteja alerta, observe o que está fazendo e use o bom senso ao operar um equipamento eléctrico ► Não use o equipamento eléctrico quando estiver

cansado ou sob a influência de drogas, álcool ou medicamentos ► Um momento de desatenção enquanto opera um equipamento eléctrico pode causar ferimentos graves.

USE EPIS.

► Use óculos protetores según EN166 ► Use máscaras protetores según EN149 ► Use protetores auditivos según EN352 ► Se o tipo de trabalho a realizar assim o exigir, utilize outros EPIs específicos.

NÃO TRABALHE DE PUNTILHAS.

► Mantenha seus pés no chão e equilíbrio em todos os momentos ► Isso permite melhor controle do equipamento eléctrico em situações inesperadas.

USAR ROUPA APROPRIADA.

► Não use roupas folgadas ou jóias ► Manter o cabelo, roupas e luvas longe das peças móveis ► Roupas folgadas, jóias ou cabelos longos podem ser agarradas por partes ► Se houver dispositivos para conexão através de extracção e colecta de pó, verifique se eles estão conectados e usados correctamente ► O uso destes dispositivos podem reduzir os riscos relacionados à poeira.

SEGURANÇA ELÉCTRICA.

► O plugue do equipamento eléctrico deve coincidir com a base do soquete ► Nunca modifique o plugue de qualquer forma ► Não utilize plugues adaptadores com equipamentos eléctricos ligados à terra ► Plugues não modificados e bases compatíveis reduzirão o risco de choque eléctrico ► Evite contacto corporal com superfícies aterradas tais como tubos, radiadores, fogões e geladeiras ► Há um aumento do risco de choque eléctrico se seu corpo está no chão ► Não exponha equipamentos eléctricos à chuva ou humidade ► A água entrando no equipamento eléctrico aumentará o risco de choque eléctrico.

NÃO FORCE O CABO ELÉCTRICO.

► Nunca use o cabo de carregar, erguer ou retirar o equipamento eléctrico ► Mantenha o cabo longe do calor, óleo, cantos afiados ou partes móveis ► Os cabos danificados ou emaranhados aumentam o risco de choque eléctrico ► Ao operar

um equipamento eléctrico ao ar livre, use um cabo de extensão apropriado para uso externo ► O uso de um cabo de extensão apropriado para áreas exteriores reduz o risco de choque eléctrico ► Se a utilização de um equipamento eléctrico em um local húmido estiver disponível, usar um poder protegida por um dispositivo de corrente residual (RCD) ► O uso de um RCD reduz o risco de choque eléctrico.

EVITE UM ACCIONAMENTO INVOLUNTÁRIO.

► Verifique se o interruptor está na posição “off” antes de se conectar à rede, e ao coger ou carregar o equipamento eléctrico ► Carregar equipamentos eléctricos com seu dedo no interruptor ou ligar que têm o interruptor em posição “on” convida a acidentes ► Retire a chave ou a ferramenta antes de iniciar o equipamento eléctrico ► Unha chave ou ferramenta esquecida ou anexada a uma parte rotativa dun equipamento eléctrico pode causar danos pessoais.

USO E CUIDADOS COM EQUIPAMENTOS ELÉTRICOS.

► Não force o equipamento eléctrico ► Use o equipamento eléctrico correto para sua aplicação ► O equipamento eléctrico correto fará o trabalho melhor e mais seguro se a taxa para o qual foi concebido ► Não use o equipamento eléctrico se o interruptor não pode ser posicionada em posição “off” e “on” ► Qualquer equipamento eléctrico que não pode ser controlado com o interruptor é perigoso e deve ser reparado ► Retire o plugue da alimentação e/ou da bateria antes de fazer quaisquer ajuste, troco de acessórios ou amacenação de equipamentos eléctricos ► Tais medidas preventivas reduzem o risco de accionamento accidental do equipamento eléctrico.

GUARDE OS EQUIPAMENTOS ELÉTRICOS.

► Guarde os equipamentos eléctricos fora do alcance das crianças e não permitir o manuseamento de equipamentos eléctricos para as pessoas não familiarizadas com os equipamentos eléctricos ou com estas instruções ► Os equipamentos eléctricos são perigosos nas mãos de utilizadores inexperientes.

MANUTENÇÃO.

► Verifique as partes móveis de desalinhamento, não há peças quebradas ou outras condições que podem afectar o funcionamento dos equipamentos eléctricos ► Os equipamentos eléctricos são reparados antes da utilização, quando estão

danificadas ► Muitos acidentes são causados por equipamentos eléctricos sem manutenção ► Use equipamentos eléctricos, acessórios e pontas de ferramentas, etc de acordo com estas instruções e na forma prevista para o tipo particular da ferramenta, levando em conta as condições de trabalho e o trabalho a desenvolver ► O uso de equipamento eléctrico para outras aplicações que não foram previstas, pode resultar em uma situação perigosa ► Verifique o seu equipamento eléctrico reparado por um serviço oficial de reparação Werku® usando peças de substituição idênticas ► Isso irá garantir a segurança do equipamento eléctrico seja mantida.

VIGIE O BOM ESTADO DO EQUIPAMENTO ELÉTRICO AIRLESS.

► Verifique se os parafusos do equipamento eléctrico airless estão todos perfeitamente apertados ► Em climas frios ou quando o equipamento eléctrico airless tenha estado sem uso durante muito tempo, deixe que o equipamento eléctrico airless aqueça um pouco fazendo-o funcionar em vazio durante uns minutos para permitir uma perfeita lubrificação dos componentes internos ► Certifique-se que os possíveis acessórios instalados estão perfeitamente assentes na posição correcta.

ANTES DE COMEÇAR A TRABALHAR.

► Certifique-se que se encontra firmemente apoiado ► Certifique-se que não há ninguém debaixo da zona de influência do equipamento eléctrico airless quando levar a cabo trabalhos em zonas elevadas ► Afaste as mãos das partes em movimento do equipamento eléctrico airless.

DURANTE O FUNCIONAMENTO.

► Não deixe o equipamento eléctrico airless a funcionar sem tela bem fixo ► Coloque-o em funcionamento quando tiver a certeza que está perfeitamente controlado ► Não aponte o equipamento eléctrico airless a ninguém durante o funcionamento ► O equipamento eléctrico airless produzirá vibrações durante o funcionamento ► Os parafusos podem afrouxar progressivamente podendo causar avarias ou acidentes ► Afaste as mãos das partes em movimento do equipamento eléctrico airless.

AO TERMINAR DE TRABALHAR.

► Não toque nos acessórios instalados no equipamento eléctrico airless após a sua utilização ► Pode estar muito quente e provocar queimaduras

► Alguns materiais sobre os quais trabalhará podem conter químicos ou componentes que podem ser tóxicos ► Tenha cuidado para prevenir a inalação destas substâncias ou o contacto com a pele ► Utilize os EPIs desenhados para o prevenir e proteger destas incidências.

CONSELHOS SEGURANÇA TUBO ALTA PRESSÃO.

► Atenção: Perigo de ferimentos por injeção!
► Através do desgaste, dobragem e uma utilização incorreta poderão formar-se pontos de fuga na mangueira de alta pressão ► Através de um furo, o líquido pode ser injetado na pele ► A mangueira de alta pressão deverá ser integralmente verificada antes de cada utilização ► Substituir imediatamente um tubo de alta pressão danificado ► Nunca reparar, você próprio, um tubo de alta pressão danificado! ► Evitar dobrar muito, menor raio de dobragem de aproximadamente 20 cm ► Não passar por cima do tubo de alta pressão e protegê-lo de objectos aiados e de cantos ► Nunca puxar pela mangueira de alta pressão para movimentar o aparelho ► Não rodar a mangueira de alta pressão ► Não operar a mangueira de alta pressão com solventes ► Limpar a parte exterior somente com um pano humedecido ► Colocar a mangueira de alta pressão de forma a que não exista o perigo de tropeçar ► A carga electrostática das pistolas de pulverização e do tubo de alta pressão é libertada através do tubo de alta pressão ► Por este motivo, a resistência eléctrica entre as ligações do tubo de alta pressão deve ser igual ou inferior a 197 kΩ/m.

CONSELHOS SEGURANÇA PISTOLA AIRLESS.

► A segurança deve estar sempre em primeiro lugar ► Todos os regulamentos locais e nacionais relativos a ventilação, protecção contra incêndios e de segurança do trabalho devem ser rigorosamente observados ► Perigo: Ferimento devido a líquidos sob pressão ► O jacto de líquido a alta pressão libertado por este aparelho pode penetrar na pele e no tecido conjuntivo, provocando lesões graves, que podem, até, conduzir à amputação ► Consulte um médico imediatamente ► Não tratar uma lesão feita através de uma injeção de líquido em alta pressão da mesma forma que trata um corte normal ► A absorção de líquidos sob pressão pelo tecido conjuntivo podem conduzir à amputação ► O médico deve ser informado sobre o tipo de revestimento ou de produto de limpeza que provocou o ferimento ► A pressão máxima em

funcionamento da pistola airless é de 250 Bar ► Nunca apontar a pistola airless para partes do corpo ► Nunca coloque partes do corpo à frente do jacto de líquido de alta pressão ► Nunca tape um furo no tubo de pressão usando o corpo ► Nunca coloque a mão em frente à agulheta da pistola airless ► As luvas não são protecção suficiente para ferimentos causados por injeção de líquidos sob pressão ► Nunca aponte a pistola airless a pessoas ► Bloqueie sempre o gatilho da pistola airless, desligue a bomba e liberte a pressão antes de efectuar trabalhos de limpeza e de manutenção na agulheta ou na protecção da agulheta, em caso de substituição da mesma ou se deixar o aparelho sem vigilância ► Mesmo depois de desligar o motor, o aparelho mantém-se sob pressão ► A válvula prime/ spray (enchimento prévio/pulverização) deve estar na posição prime (enchimento prévio) para libertar a pressão ► A pressão de resposta para a válvula está indicada no manual de instruções da bomba ► Utilize sempre a protecção da agulheta durante o trabalho de pulverização ► Embora a protecção da agulheta seja, de facto, uma forma de protecção, é, no entanto e em primeiro lugar, concebida como um dispositivo de aviso ► Retire sempre a agulheta de pulverização antes de proceder à limpeza ou lavagem da pistola airless ► Pode tornar-se impossível fechar o tubo devido a uma má vedação decorrente de utilização incorrecta, dobras ou desgaste ► Verificar com atenção o tubo antes da utilização ► Nunca utilize uma pistola airless sem a segurança do gatilho e sem a mola do gatilho estar em bom estado de funcionamento ► Todos os acessórios devem dispor de autorização de funcionamento, no mínimo, à pressão máxima de funcionamento do aparelho de pulverização sem ar ► Isto diz respeito a agulhetas de pulverização, a extensões e ao tubo ► Perigo: O perigo de explosão devido a materiais incompatíveis pode provocar danos graves em pessoas e objectos ► Não processe materiais que contenham cloro ou hipoclorito ► Não utilize hidrocarbonetos halogenados como solvente, tal como, por exemplo, uma solução de hipoclorito, um agente anti-bolor, cloreto de metileno ou tricloroetano ► Este solvente corrói o alumínio ► Poderá obter informações adicionais sobre a compatibilidade entre o material de revestimento e o alumínio junto do fabricante ► Perigo: Generalidades ► Pode provocar danos pessoais e materiais graves ► Reveja atentamente todas as instruções e conselhos de segurança antes de colocar a pistola airless em

funcionamento ► Nunca pulverize na proximidade de uma fonte de ignição, ou seja, perto de chamas abertas, cigarros (os charutos e cachimbos constituem igualmente fontes de ignição), faíscas, fios incandescentes, superfícies quentes, etc

► Use protecção respiratória durante os trabalhos de pulverização ► O operador deve utilizar uma máscara de protecção ► Para evitar doenças relacionadas com o trabalho observe as instruções do fabricante relativas a tintas, solventes e agentes de limpeza quando estiver a preparar, utilizar ou limpar o aparelho ► Utilize luvas de trabalho, vestuário de protecção, protecção dos olhos e, em determinados casos, ainda um creme específico de protecção da pele ► Observe as advertências e instruções do fabricante relativas às tintas, revestimentos e solventes

► Os dispositivos de sucção devem ser aplicados pelo utilizador de acordo com as prescrições locais em vigor ► Os elementos de revestimento devem dispor de uma ligação terra ► Antes de cada utilização, controle sempre todos os tubos, procurando cortes, fugas e pontos desgastados, assim como deformações na superfície do tubo ► Controlar a integridade e a fixação correcta dos acoplamentos ► Substitua imediatamente o tubo caso verifique qualquer um dos problemas mencionados ► Nunca repare um tubo ► Neste caso, substitua o tubo por um tubo de alta pressão com ligação terra ► Durante o accionamento do gatilho, a pistola airless é puxada para o lado ► Este impulso de força da pistola airless é especialmente forte quando a agulheta é retirada e quando se coloca alta pressão na bomba de alta pressão ► Durante a limpeza, coloque a válvula de regulação da pressão no valor de pressão mais baixo, rodando a agulheta ► Utilize apenas peças autorizadas pelo fabricante ► O utilizador é responsável pelos riscos decorrentes da utilização de peças que não cumpram os requisitos mínimos, assim como da utilização de dispositivos de segurança que não sejam originais do fabricante da pistola airless ► Uma possível carga electrostática da pistola airless é, segundo as normas, desviada através do tubo de alta pressão para uma bomba de alta pressão com ligação terra ► A temperatura máx da superfície corresponde à temperatura autorizada do material ► Esta e a temperatura ambiente autorizadas podem ser consultadas no capítulo dados técnicos ► Para impedir a produção de faíscas na máquina, evite choques da carga e não coloque qualquer ferramenta em cima da pistola airless quando utilizado em áreas de perigo de explosão.

RISCOS RESIDUAIS.

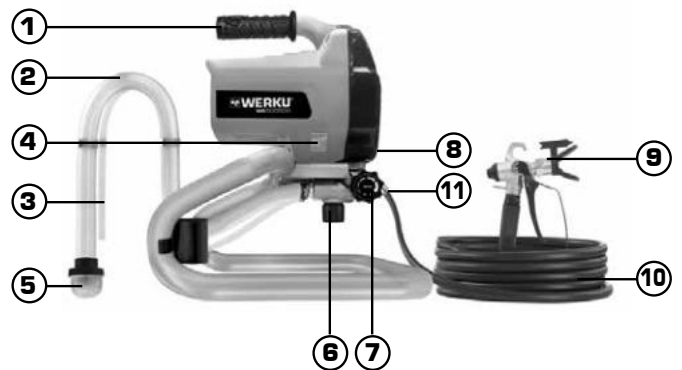
► Riscos residuais são riscos que não podem ser excluídos mesmo numa utilização correcta ► Da mesma forma, as placas de aviso e de proibição nos respetivos pontos de risco advertem para riscos residuais existentes.

Perigo	Fonte/Causa	Efeito	Medidas preventivas	Pode ocorrer durante:
Perigo de injeção	Fluxo de líquido sob alta pressão	Ferimento grave ou amputação	NUNCA apontar a pistola airless para partes do corpo	Montagem, funcionamento
Explosão ou incêndio	Electricidade estática ou faíscas	Ferimento grave	Utilizar apenas em áreas bem ventiladas Fazer a ligação terra da pistola Airless	Em funcionamento
Vapores perigosos	Vapores perigosos de materiais de pulverização	Ferimento grave	Utilizar apenas em áreas bem ventiladas. Usar uma máscara	Em funcionamento

DESCRIÇÃO DO PRODUTO.

► O equipamento elétrico airless foi desenhado para realizar trabalhos de pulverização de alta pressão de materiais de revestimento líquidos

► Observe este esquema para se familiarizar com o equipamento elétrico airless antes de o utilizar.



1. Asa transporte.
2. Mangueira aspiração.
3. Tubo retorno.
4. Interruptor on/off.
5. Filtro admissão.
6. Botão válvula entrada.
7. Regulador presión.
8. Selector pulverizar/primar.
9. Pistola airless.
10. Mangueira airless.
11. ConeLigação mangueira.

INSTRUÇÕES DE USO.

► Antes de colocar o equipamento elétrico airless em funcionamento, aconselhamos a ler completa e minuciosamente todas as instruções que se indicam ► Ainda assim, deverá ter em conta as normas para a prevenção de acidentes, os regulamentos e as directivas, as leis e restrições

vigentes para os centros de trabalho ► O equipamento elétrico airless deve de ser utilizado unicamente por pessoas devidamente preparadas para a sua operação e exclusivamente de acordo com os fins previstos.

FONTE DE ALIMENTAÇÃO.

► Certifique-se de que a fonte de alimentação se ajusta aos requisitos especificados na placa de dados do equipamento elétrico airless (1)
► Pôr o motor a funcionar a baixa voltagem fará com que este opere lentamente ► Isto reduzirá o rendimento e pode causar o sobreaquecimento do motor.

EXTENSÃO ELÉCTRICA.

► Quando a zona de trabalho estiver afastada da fonte de alimentação, utilize uma extensão eléctrica com diâmetro e qualidade suficientes.

LIGAÇÃO À TERRA.

► O equipamento elétrico airless deverá estar ligado à terra enquanto estiver a ser utilizado de forma a proteger o operário de eventuais choques eléctricos.

PULVERIZAR/PRIMAR.

► Este interruptor permite alternar entre os modos “primar” e “pulverizar” (2).

BOQUILHA.

► A boquilha é reversível e removível para facilitar a limpeza e qualquer procedimento de desobstrucción ► Gire a boquilha à posição “spray” para utilizar a pistola airless (3) ► Gire à posição contraposta para limpar a boquilha (4).

REGULADOR CONTROLO PRESSÃO.

► O regulador de controlo de pressão pode ajustar-se para “pulverização alta pressão”, “pulverização baixa pressão”, “primar/limpar” e “rolo” ► Para eleger a função desejada, alinhe o regulador de controlo de pressão com o indicador localizado na carcaça (5).

INSTALAÇÃO.

► Retire ou cubra os objetos que deseja proteger do aspergido de pintura ► Ligue a mangueira de pintura à saída do equipamento e ajuste-a com uma chave (6) ► Ligue a mangueira de pintura

à pistola airless e ajuste com duas chaves (7)
► Gire o regulador de controlo de pressão à configuração “pulverização baixa pressão” (8).

LIBERTAR PRESSÃO.

► Gire o interruptor de alimentação à posição “off” (apagado) e desligue a unidade da tomada de corrente (9) ► Coloque o comutador “pulverizar/primar” na posição “primar” (10) ► Aponte a pistola airless para a cubeta de pintura e ative o gatilho para libertar pressão (11) ► Nota: Mude sempre ao modo “primar” entre usos.

PRIMAR PISTOLA AIRLESS.

► Este procedimento utiliza-se a primeira vez que se opera a equipa, e também para purgar os fluídos armazenados na pistola airless ► Para pinturas a base de azeite, purgue com aguarrás e a seguir água quente limpa ► Advertência! Para evitar incêndios: Quando utilize aguarrás, ligue a pistola airless a terra sustentando contra um recipiente metálico enquanto realiza a purga ► Para pinturas à água (látex), purgue com água quente limpa.

PRIMADO E ARRANQUE.

► Separe o cano de primado mais pequeno do cano de sucção (12) ► Coloque o cano de primado em um contentor de resíduos (13) ► Submerja o cano de sucção em água ou em um solvente para purga (14) ► Coloque o comutador “pulverizar/primar” na posição “primar” (10) ► Coloque o regulador de controlo de pressão na configuração “primar/limpar” (15) ► Ligue o equipamento e acenda-o (16) ► O equipamento começará a bombear, e a água ou o solvente para purga, ao igual que borbulhas de ar, serão purgadas do sistema ► Permita que os fluídos se descarreguem do cano de primado ao contentor de resíduos durante 30 a 60 segundos; depois, coloque o interruptor de alimentação em “off” (apagado) (9) ► Importante: Se o dissolvente não flui através das mangueiras, tente pressionar o botão vermelho de libertação da entrada, situado embaixo da bomba, para afrouxar a bola de retenção primeiramente (17) ► Extraia o cano de sucção da água ou o solvente para purga e submerja-o na cubeta de pintura (18) ► Coloque o interruptor de alimentação em “on” (ignição) (16) ► A pintura deveria abrir-se caminho desde

o cano de sucção ao equipamento e ao cano de primado até que a pintura se descarregue do cano de volta ► Coloque o interruptor de alimentação em “off” (9) ► Retire o cano de primado do contentor de resíduos, sujeito ao cano de sucção e submerja-o na cubeta de pintura (19) ► Coloque o interruptor de alimentação em “on” (16) ► Aponte a pistola airless para o contentor de resíduos e acione o gatilho (11) ► Coloque o comutador “pulverizar/ primar” na posição “pulverizar” e continue pulverizando no interior do contentor de resíduos (20) ► Pare de pulverizar ► Deixe de pulverizar se o motor pára-se, significa que a bomba e os canos estão primados ► Se não se pára, repita os passos de primado ► Comece a pintar.

PINTAR.

► Antes de pintar, assegure-se de que o equipamento foi primado e verifique que a boquilha esteja corretamente alinhada ► Retire ou cubra os objetos que deseja proteger do aspergido de pintura ► Uma vez que o equipamento esteja primado, ajuste a boquilha à configuração “spray” (3) ► Comece a pulverizar na configuração mais baixa do regulador de controlo de pressão, e aumente a pressão segundo seja necessário girando o regulador no sentido das agulhas do relógio, para criar um bom padrão de aspergido (21) ► Pratique as técnicas de pintado mostradas a seguir em uma peça de trabalho de desperdício antes de pintar a sua peça de trabalho.

TÉCNICAS PINTADO.

► Antes de pintar, assegure-se de que o equipamento seja primado e verifique que a boquilha esteja corretamente alinhada ► Mantenha a pistola airless a aproximadamente a 30 cm de distância da superfície ► Mantenha a pistola airless direita e mova o braço de um lado a outro a um ritmo fixo, enquanto permanece a 30 cm de distância da superfície (22) ► Não sacuda a pistola airless, ou a pintura ficará descasada (23) ► Sobreponha cada capa de aspergido por metades; sempre aponte o aspergido à parte inferior da última capa (24).

DESOBSTRUIR BOQUILHA PULVERIZAÇÃO.

► Ocasionalmente, a boquilha da pistola airless ficará obstruída com pintura ► Siga

estas instruções para desobstruir a boquilha da pistola airless ► Coloque o interruptor de alimentação em “off” (9) ► Coloque a boquilha na posição clean/eject (4) ► Coloque o comutador “pulverizar/primar” na posição “pulverizar” (20) ► Acenda o equipamento (16) ► Pulverice no interior de um contentor de resíduos até que a obstrução desapareça (11) ► Solte o gatilho ► Coloque a boquilha em modo “spray” (3).

LIMPEZA.

► Coloque o interruptor de alimentação em “off” e o comutador “pulverizar/primar” na posição “primar” (10) ► Desparafuse e extraia a boquilha de pulverização (25) (26) ► Liberte a pressão e drene a pintura dos canos (27) ► Separe os canos (12) ► Coloque o cano de primado em um contentor de resíduos vazio (13) ► Submerja o cano de sucção em água ou em um fluído para purga (14) ► Ligue o equipamento e acenda-o (16) ► O equipamento começará a bombear e a água ou o dissolvente de lavagem e as borbulhas de ar se purgarán do sistema ► Deixe que os fluídos se descarreguem do cano de primado no cubo de desperdício até que o líquido esteja limpo (28) ► Após que o líquido no cano de primado esteja limpo, coloque o interruptor de alimentação em “off” (9) ► Coloque o comutador “pulverizar/primar” na posição “pulverizar” (20) ► Coloque o interruptor de alimentação em “on” (16) ► Pulverice pintura na cubeta de pintura (29) ► Quando a pintura se dilua, mude ao contentor de resíduos (30) ► Coloque o comutador “pulverizar/primar” na posição “primar” (10) ► Continue purgando até que fique limpo (31) ► Solte o gatilho, apague o equipamento e liberte a pressão (9, 10, 11) ► Extraia o protetor do gatilho da carcaça (32) ► Desparafuse a porca por trás do conector giratório (33) ► Extraia o filtro (34) ► Limpe todas as peças com água quente ensaboada ou fluído para purga e uma escova de porcas (35).

ARMAZENAMENTO.

► Quando realize uma limpeza para um armazenamento por um período prolongado (mais de 48 horas) ► É muito importante não armazenar o equipamento com restos de água ou materiais à água na bomba, mangueira, canos ou pistola airless ► Essas substâncias

causarão a corrosão do produto ▶É muito importante limpar o equipamento antes de armazená-lo ▶Extraia a mangueira de pintura se ainda não o fez (36) ▶Dê voltada a unidade e afrouxe as abraçadeiras de ambos canos; depois, desligue os canos da carcaça da bomba (37) ▶Agregue uns 30 mililitros de azeite doméstico leviano ou um produto para armazenamento de bombas na cada boca (38) ▶Coloque o comutador “pulverizar/primar” na posição “pulverizar” (20) ▶Gire o regulador de controlo de pressão à configuração “pulverização baixa pressão” (8) ▶Sustente um pano sobre a saída da mangueira de pintura (39) ▶Coloque o interruptor de alimentação em “on” por cinco segundos; depois, coloque-o em posição “off” (40) ▶Coloque o comutador “pulverizar/primar” na posição “primar”; isto manterá os líquidos para armazenamento no equipamento (10) ▶Volte a colocar os canos e fixe com as abraçadeiras (41) ▶Limpe o equipamento com um pano limpo ▶Armazene em um local limpo e seco fosse do alcance das crianças.

MANUTENÇÃO.

▶O equipamento elétrico airless foi desenhado para funcionar durante muito tempo com o mínimo de manutenção ▶O funcionamento óptimo depende do bom cuidado do equipamento elétrico airless e de uma limpeza frequente ▶Para evitar acidentes, retire sempre ao equipamento elétrico airless da fonte de alimentação antes de dar início á limpeza ou a qualquer tipo de manutenção do mesmo ▶O equipamento elétrico airless deverá ser limpo de maneira eficaz mediante o uso de ar comprimido ▶Utilize sempre óculos protetores quando trabalhar com ar comprimido ▶Se não poder utilizar ar comprimido, retire as poeiras do equipamento elétrico airless com uma escova ▶As fendas de ventilação do motor e os interruptores devem estar sempre limpos e sem qualquer tipo de resíduos ▶Não tente limpá-los introduzindo objectos pontiagudos através das aberturas ▶Alguns produtos de limpeza e dissolventes danificam os componentes de plástico, entre os quais se destaca a gasolina, o tetraclorometano, os dissolventes de limpeza clorados, o amoníaco, os produtos de limpeza

clorados, e os produtos de limpeza domésticos que contêm amoníaco ▶Não utilize nenhum dos produtos anteriormente mencionados para limpar o equipamento elétrico airless ▶Caso detecte a formação de faíscas de modo excessivo, faça com que o Serviço oficial de reparação Werku® reveja o equipamento elétrico airless e/ou substitua as escovas.

PROTECÇÃO DO MEIO AMBIENTE.

▶Os materiais e os componentes que foram usados para fazer este produto podem ser reutilizados e reciclados ▶Werku® está aderido a um Sistema Integrado de Gestão que está encarregado da correta eliminação dos resíduos deste produto ▶Não elimine este produto com os resíduos domésticos ▶Werku® oferece aos seus clientes um serviço livre de colecção destes resíduos nos seus pontos de venda, nos pontos da colecção estabelecidos pelo Sistema Integrado de Gestão ou no ponto de reciclagem da sua cidade.

GARANTIA E SERVIZO TÉCNICO.

▶Para além da garantia legal, a Werku® oferece uma garantia comercial adicional ▶Esta garantia comercial cobre a reparação dos defeitos resultantes de erros nos materiais ou na fabricação ▶Para isso é imprescindível que os defeitos ocorram dentro do período de validade ▶O consumidor tem direito á reparação gratuita dos defeitos que a Werku® reconheça como incluídos na garantia comercial (custos de envio, mão de obra e materiais incluídos), cabendo á Werku®, optar pela reparação da escada defeituoso ou pela substituição (substituindo, se for necessário, por um modelo posterior) ▶Esta garantia comercial não afecta os direitos do consumidor estabelecidos pela lei de acordo com a Directiva 1999/44/CE ▶O período de validade desta garantia comercial é de 24 meses ▶Caso o producto se destine a um uso profissional ou industrial, o período de validade é de 12 meses ▶O período de validade começa na data de aquisição pelo primeiro consumidor ▶Esta data está reflectida na factura ou ticket de compra ▶A acção para reclamar o cumprimento desta garantia comercial prescreve seis meses a contar do fim do período de validade ▶A reclamação em virtude desta garantia comercial deve apresentar-

se ao distribuidor ou ao Serviço de Assistência Técnica ► Para isso é imprescindível apresentar esta garantia devidamente preenchida e selada pelo distribuidor, juntamente com a factura ou o ticket de compra ► Para qualquer informação referente a esta garantia comercial o comprador e/ou o distribuidor pode pôr-se em contacto com o Serviço de Assistência Técnica, através do telefone +34 981 648 119, ou por correio electrónico info@werku.com ► Ficam excluída desta garantia comercial os defeitos que tenham sido causados por peças desgastadas pelo uso ou outro tipo de desgaste natural, os defeitos causados pela inobservância ou incumprimento das instruções de uso e funcionamento, ou de aplicações não conformes com o uso a que se destina este producto, ou de factores ambientais anormais, ou de sobrecarga, ou de manutenção ou limpeza inadequadas, defeitos causados pelo uso de acessórios, complementos ou peças de substituição que não sejam peças originais da Werku®, o producto total ou parcialmente desmontado, modificado ou reparado por pessoal alheio ao Serviço de Assistência Técnica o as irregularidades mínimas e irrelevantes para o uso e funcionamento adequado ► As reparações e substituições não prolongam nem renovam o prazo de validade desta garantia comercial ► As peças substituídas passam a ser propriedade da Werku® ► Se o comprador enviar o producto para o Serviço de Assistência Técnica, não cumprindo as condições desta garantia comercial, as despesas e riscos de transporte correm a cargo do comprador ► Esta garantia comercial é válida dentro do território da União Europeia ► A empresa responsável pelo cumprimento desta garantia comercial da Werku® é Werku Tools SA.

ASSESSORAMENTO TÉCNICO.

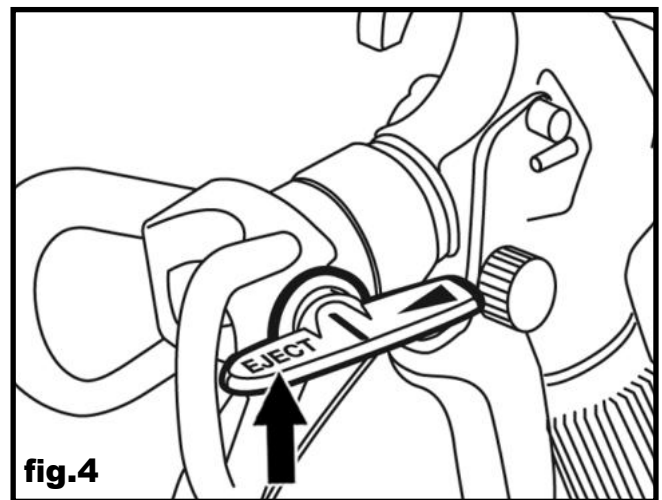
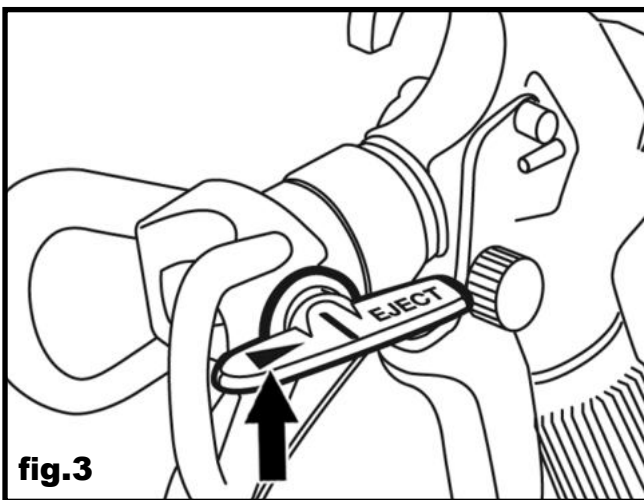
► A Werku® põe a sua disposição seu departamento técnico para resolver qualquer dúvida que possa surgir sobre seus produtos
► Em caso que deseje estabelecer contato com nossa equipe, remeta um correio eletrônico à direção info@werku.com.

0.625 HP (500 W) - 1.4 L/MIN¹ - 230 V - 50 HZ - IP23
 MAX 0.019" - MAX 205 BAR - MAX TEMP 40° C
 SERIE 0318 - MADE IN PRC 03/2018
 WERKU TOOLS SA - LA CORUÑA - SPAIN

fig.1

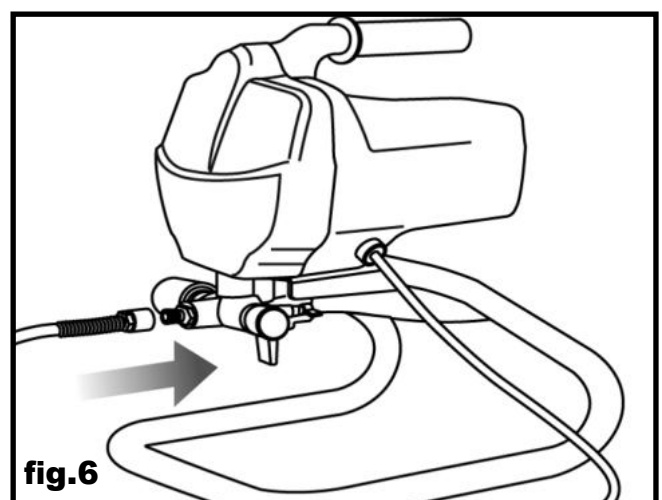
ENG	SPRAY	PRIME
ESP	PULVERIZAR	CEBAR
DEU	SPRÜHEN	VORBEFÜLLEN
FRA	PULVÉRISER	AMORÇAGE
NED	SPUITEN	VULLEN
POR	PULVERIZAR	PRIMAR

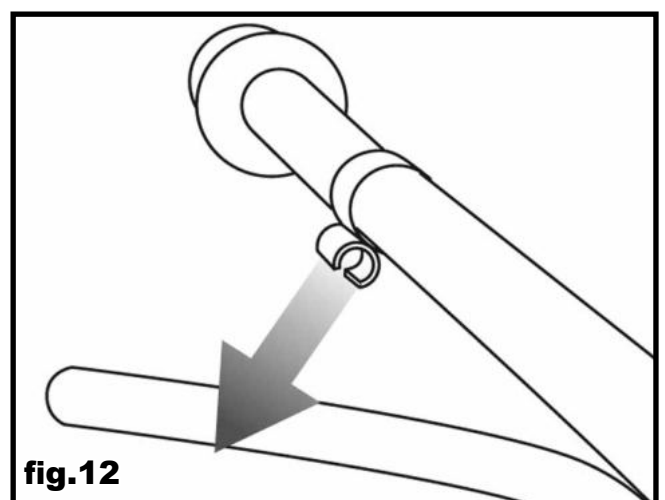
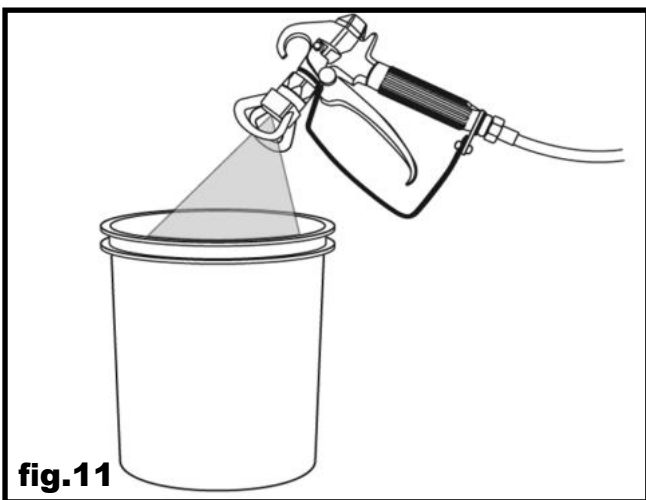
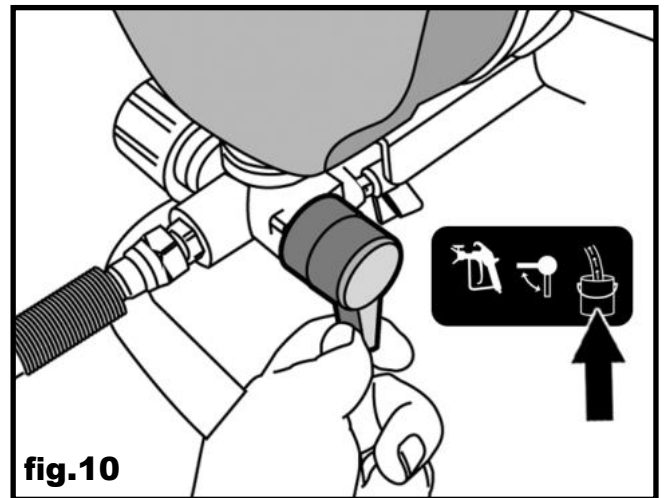
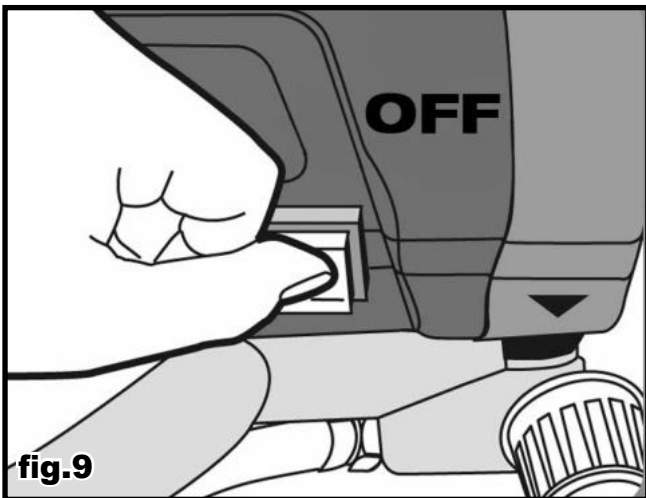
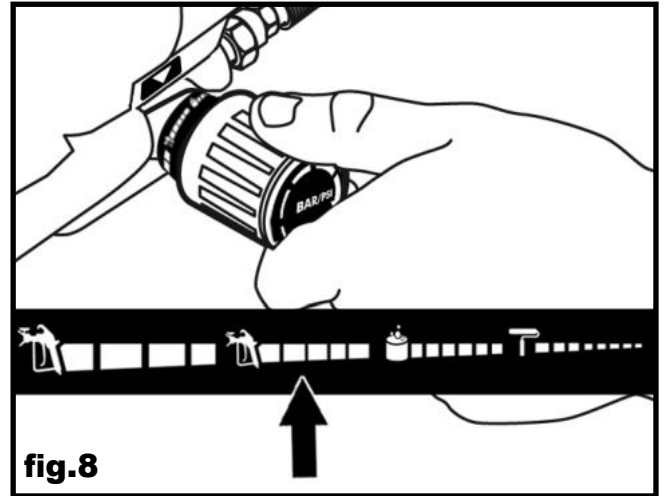
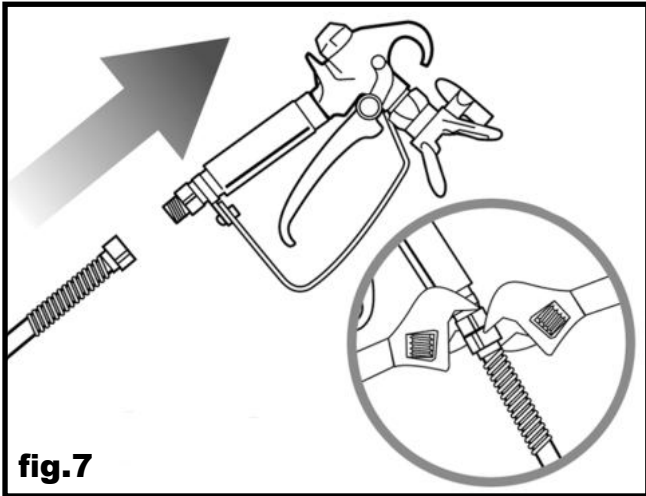
fig.2



ENG	HIGH SPRAY	LOW SPRAY	PRIME / CLEAN	ROLL
ESP	PULVERIZACIÓN ALTA	PULVERIZACIÓN BAJA	CEBAR / LIMPIAR	RODILLO
DEU	HOHES SPRITZEN	NIEDRIGER SPRITZEN	VORBEFÜLLEN/REINIGEN	WALZE
FRA	PULVÉRISATION HAUTE	PULVÉRISATION BASSE	AMORÇAGE / NETTOYAGE	ROULEAU
NED	HOGHE SPUITEN	LAGE SPUITEN	VULLEN / REINIGEN	WALS
POR	PULVERIZAÇÃO ALTA	PULVERIZAÇÃO BAIXA	PRIMAR / LIMPAR	ROLO

fig.5





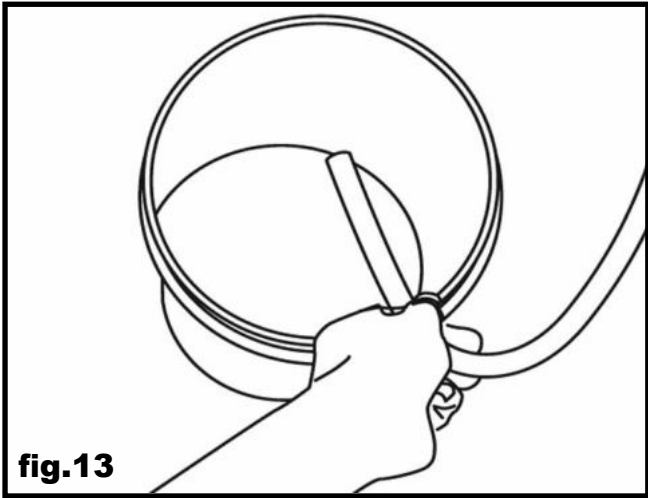


fig.13

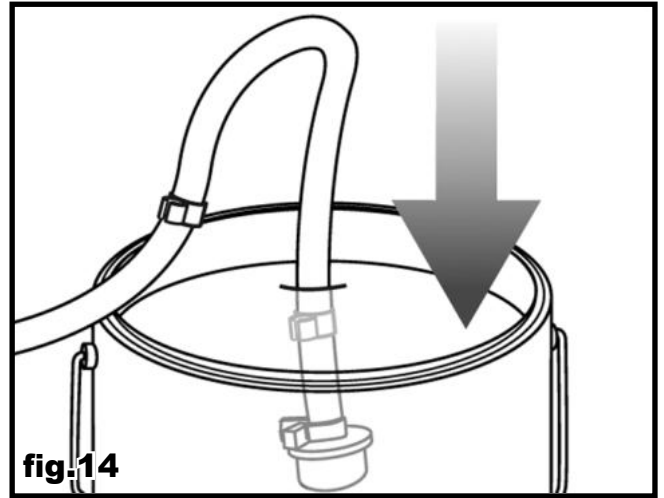


fig.14

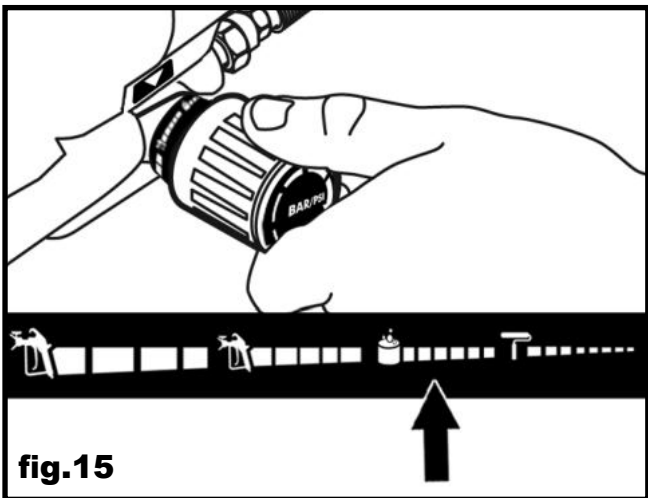


fig.15

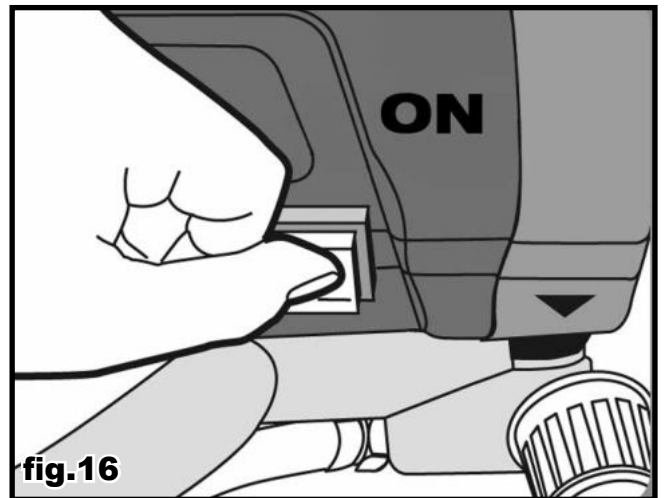


fig.16

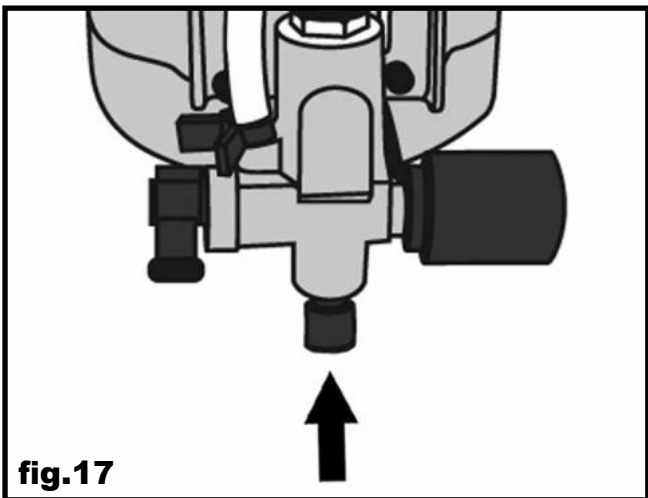


fig.17

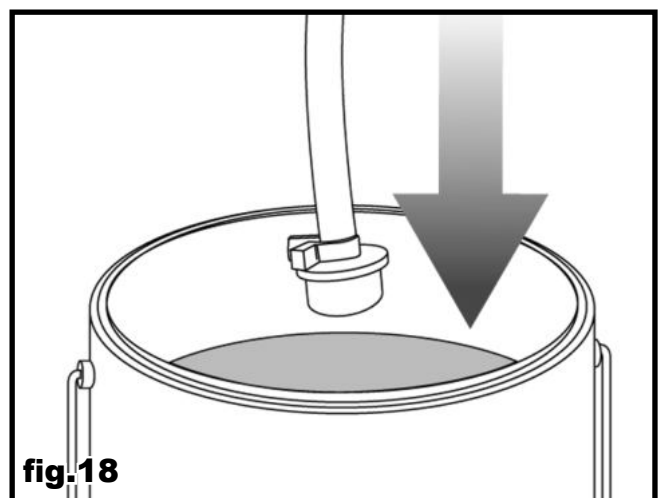


fig.18

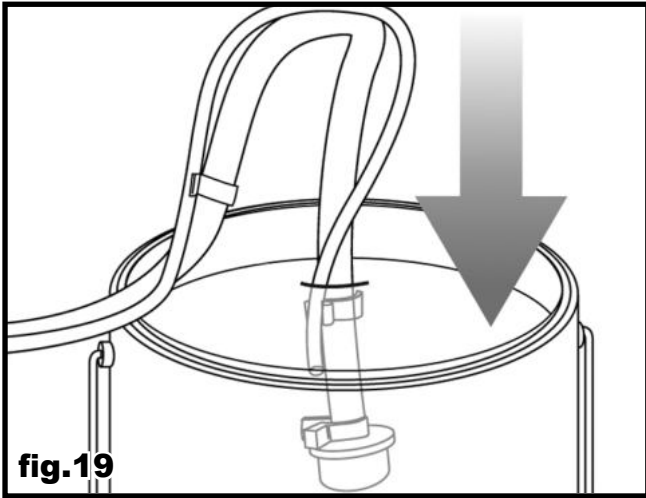


fig.19

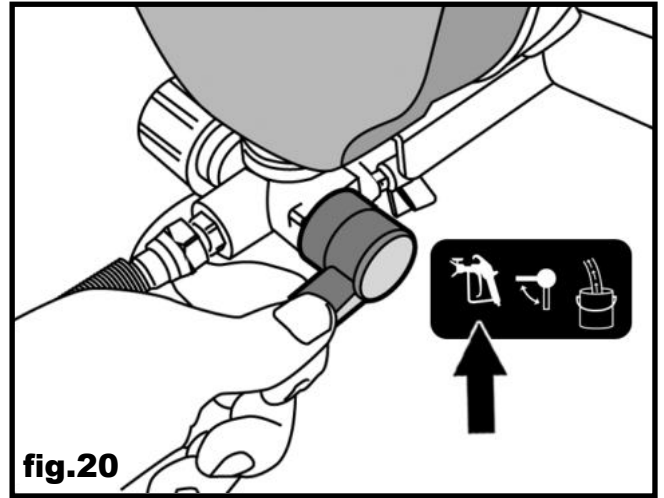


fig.20

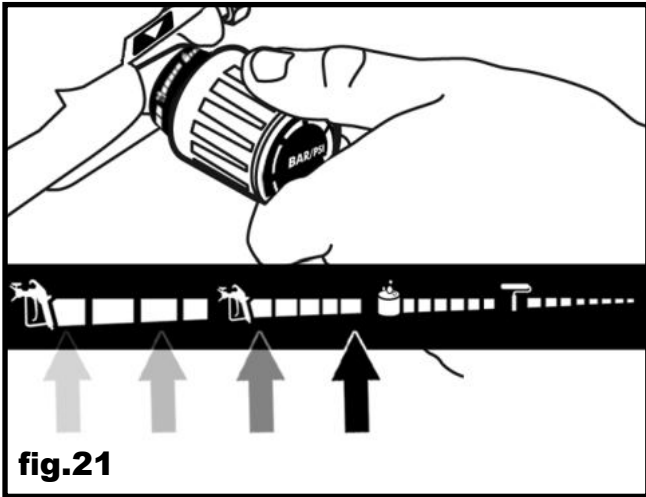


fig.21

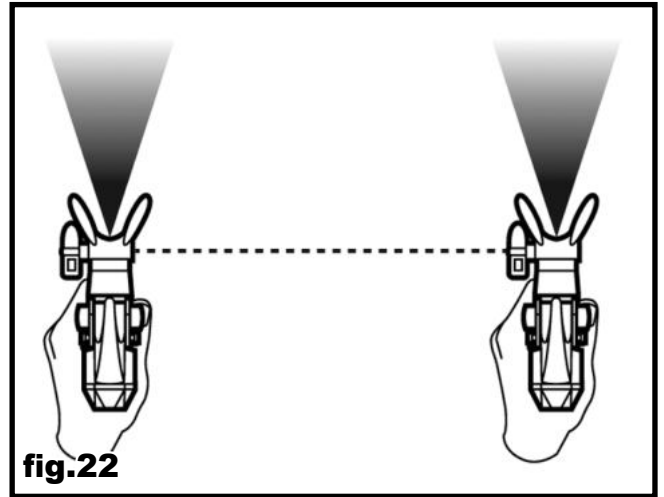


fig.22

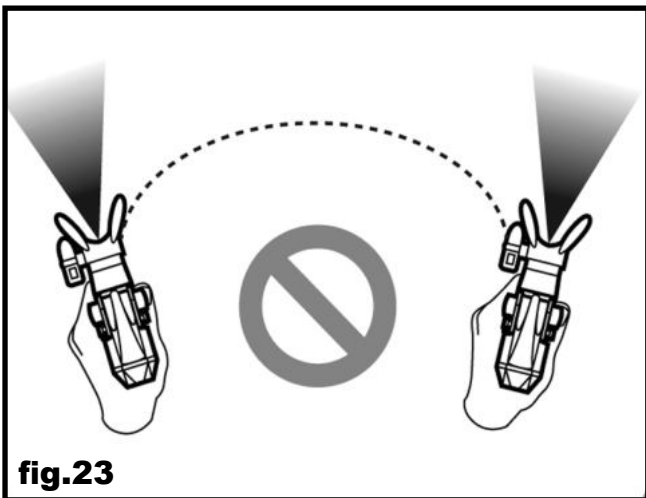


fig.23



fig.24

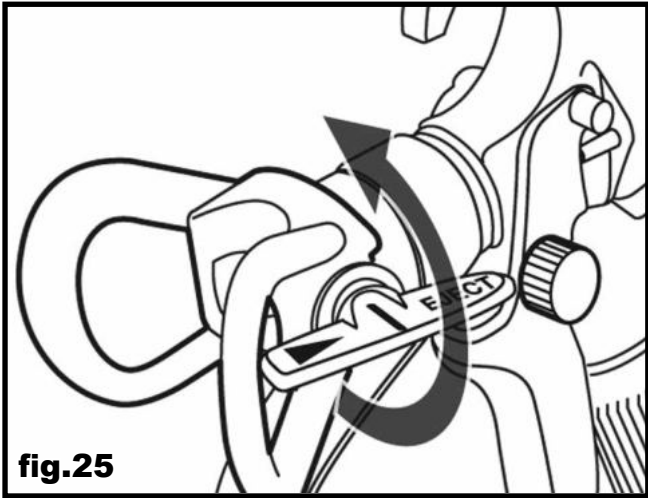


fig.25

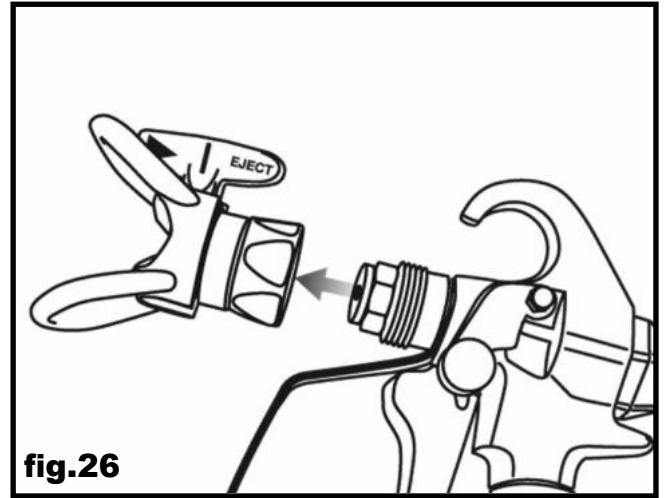


fig.26

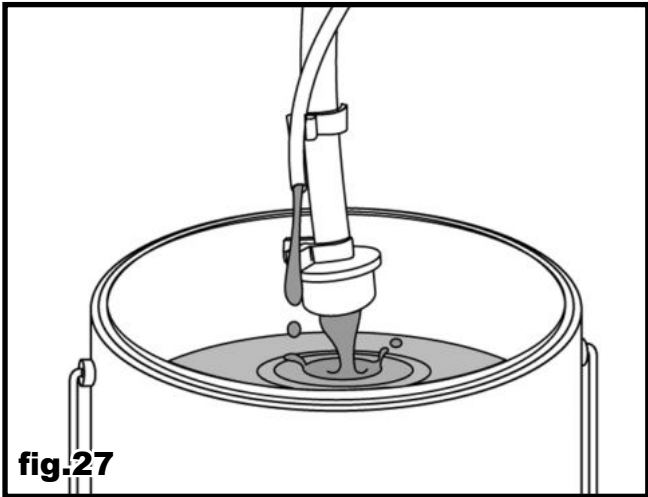


fig.27

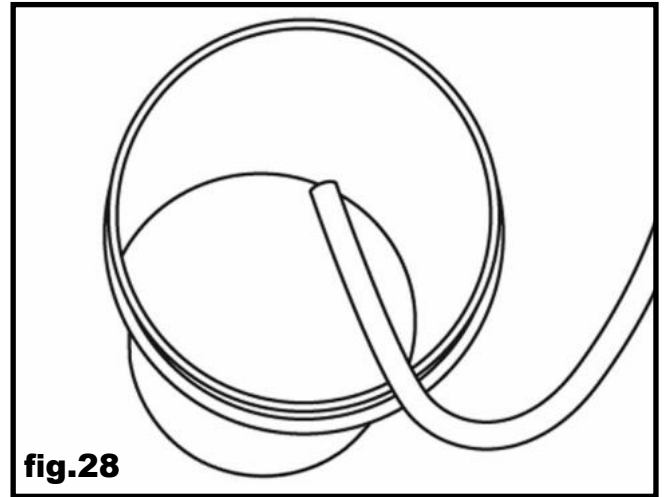


fig.28

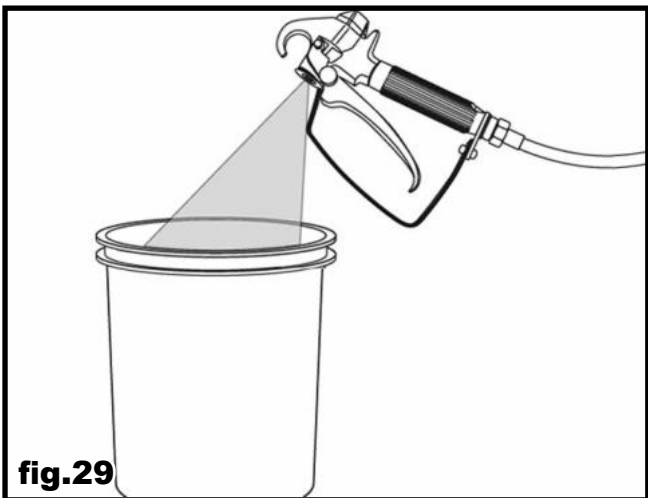


fig.29

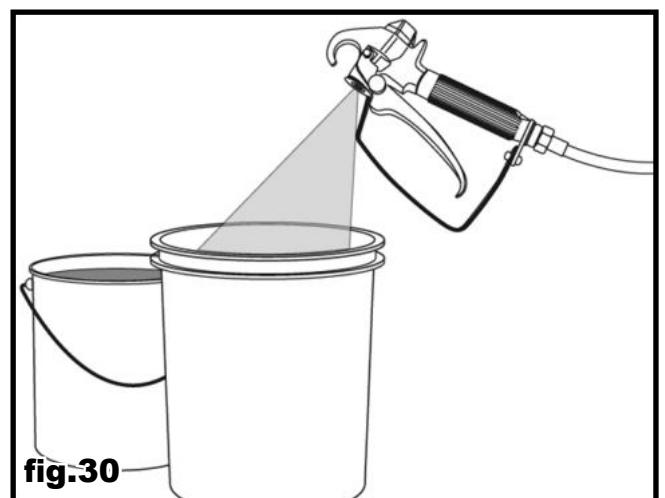


fig.30

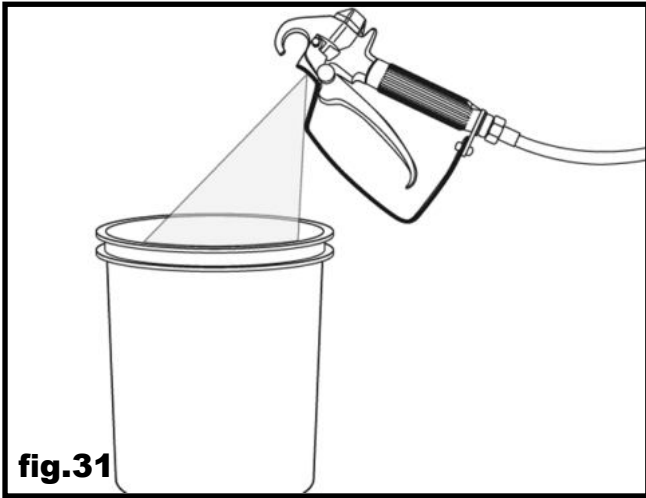


fig.31

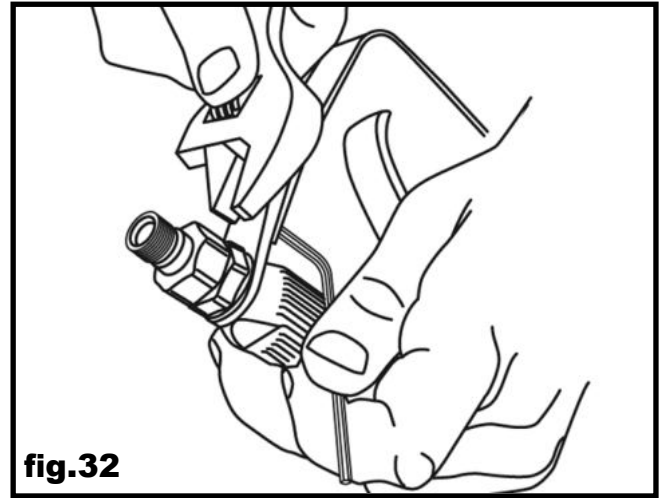


fig.32

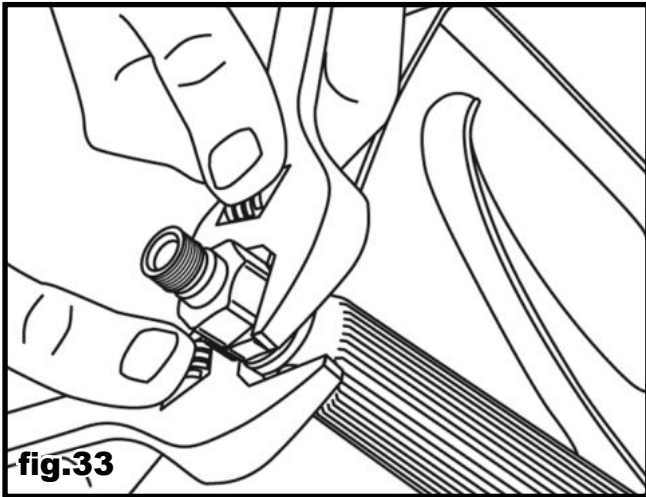


fig.33

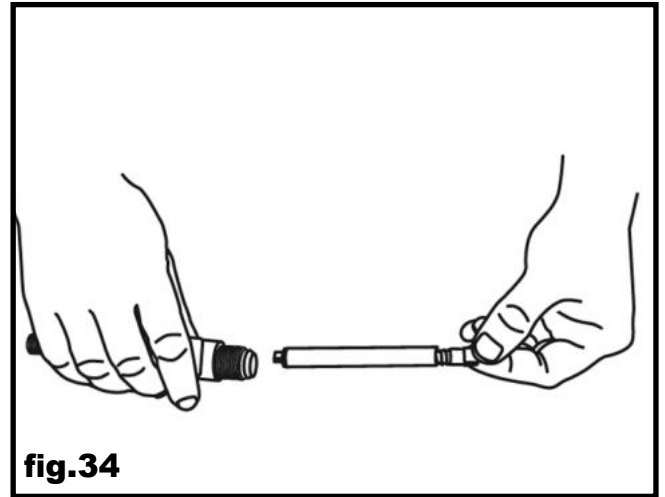


fig.34

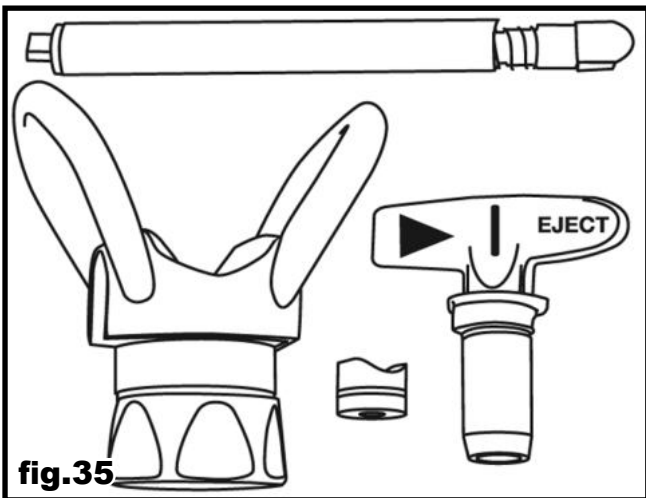


fig.35

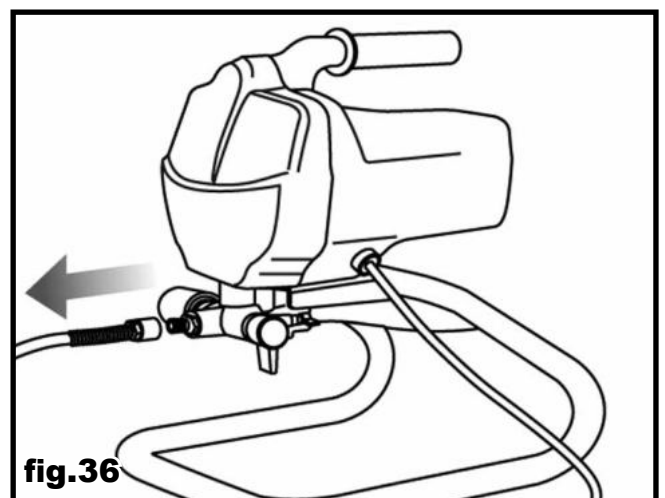


fig.36

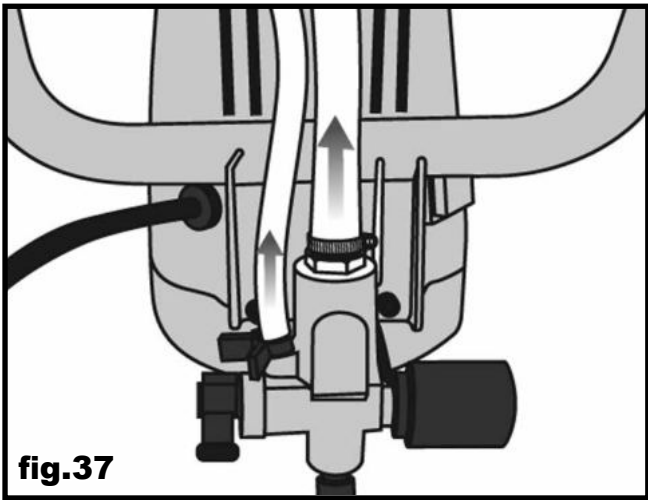


fig.37

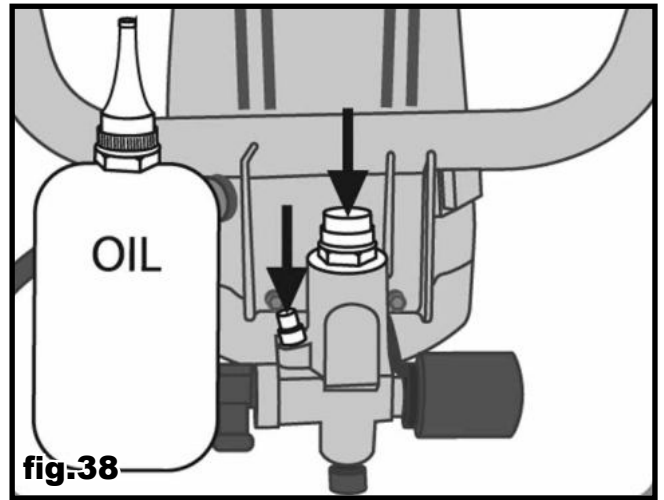


fig.38

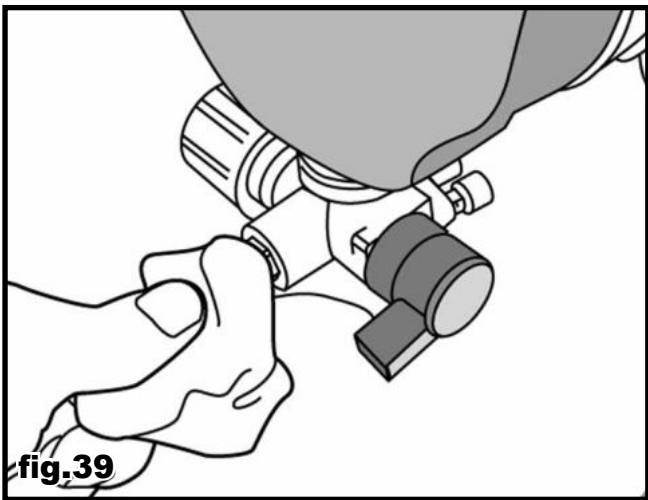


fig.39

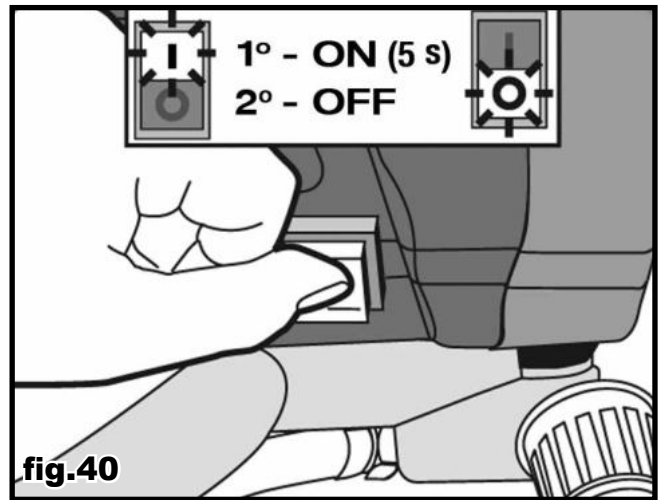


fig.40

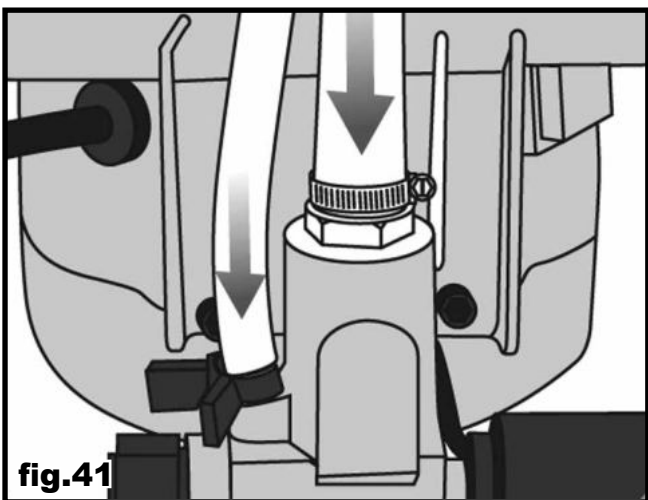
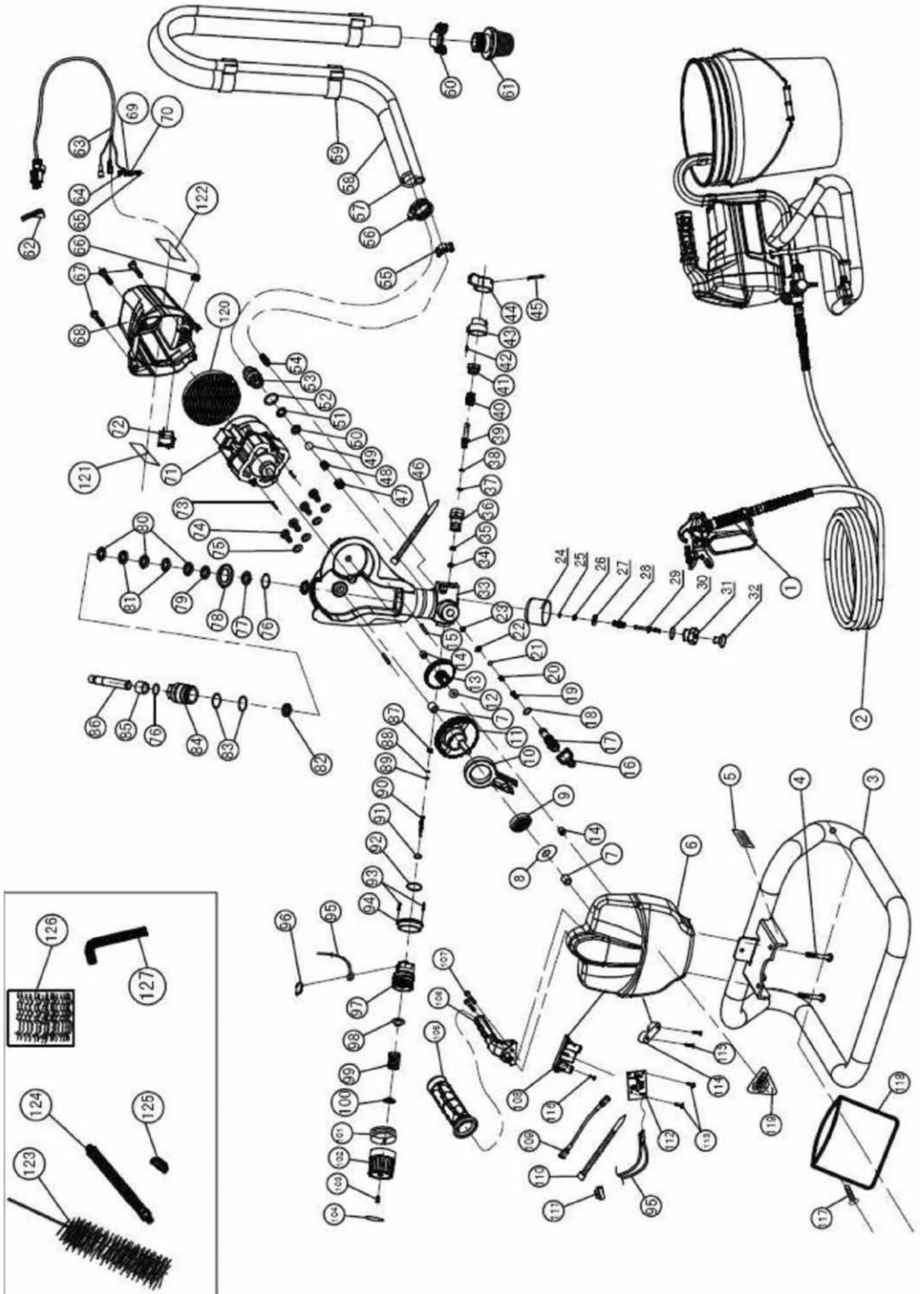


fig.41



GUARANTEE

► Service under guarantee is only provided upon presentation of this signed and stamped guarantee, together with the invoice or receipt.

GARANTÍA

► Para hacer uso del servicio de garantía es imprescindible la presentación de esta garantía debidamente cumplimentada y sellada, junto con la factura o ticket de compra.

GARANTIE

► Service unter Garantie ist nur versehen bei Vorlage dieses unterzeichneten und abgestempelten Garantie, zusammen mit der Rechnung oder Quittung.

GARANTIE

► Service sous garantie est fournie uniquement sur présentation de la garantie signée et cachetée, avec la facture ou le reçu.

GARANTIE

► Service onder garantie wordt alleen verstrekt op vertoon van deze getekende en gestempelde garantie, samen met de factuur of kassabon.

GARANTIA

► A assistência técnica em garantia so e prestada mediante a prestação desta garantia devidamente cumprimentada e selada, junto com a fatura ou ticket de compra.

ITEM NUMBER
NÚMERO ARTÍCULO
ARTIKELNUMMER
NUMÉRO D'ARTICLE
ARTIKELNUMMER
NÚMERO ARTIGO

WK500500

DATE OF PURCHASE
FECHA DE COMPRA
KAUFDATUM
DATE D'ACHAT
DATUM VAN AANKOOP
DATA DE COMPRA

_____ / _____ / _____

DISTRIBUTOR STAMP
SELLO DISTRIBUIDOR
VERTRIEBER STEMPEL
DISTRIBUTEUR CACHET
DEALER STEMPEL
CARIMBO DISTRIBUIDOR

