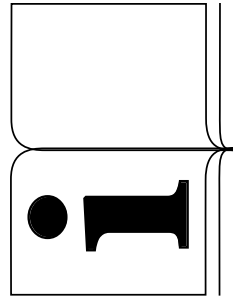




WERKU[®]



ENG ORIGINAL INSTRUCTIONS / GRAVITY PAINT SPRAY GUN
ESP INSTRUCCIONES ORIGINALES / PISTOLA PINTAR GRAVEDAD
DEU ORIGINALANLEITUNGEN / SCHWERKRAFT-FARBSPRITZPISTOLE
FRA INSTRUCTIONS ORIGINALES / PISTOLET PEINTURE GRAVITÉ
ITA ISTRUZIONI ORIGINALI / PISTOLA DIPINGERE GRAVITÀ
NED ORIGINELE INSTRUCTIES / BOVENBEKER VERFSPUITPISTOOL
POR INSTRUÇÕES ORIGINAIS / PISTOLA PINTAR GRAVIDADE

1.5 HP - 600 ML - 1.7 MM - HVLP-I

WK500740

CE DECLARATION CONFORMITY.

Werku® declares that the paint spray gun WK500740 is in accordance with the following Directives and Standards:

2006/42/CE
EN1953:2013



La Coruña, 01/02/2022.

R Yáñez
Werku Tools SA

TECHNICAL CHARACTERISTICS.

Compressor	≥ 1.5 hp
Working pressure	3-4 bar
Maximum pressure	8 bar
Air inlet	BSP 1/4"
Paint transfer	>70%
Air consumption	175 l/min
Hose diameters	8 x 15 mm
Nozzle diameter	1.7 mm
Cup capacity	600 ml
Net weight	0.7 kg
Acoustic pressure LpA	≤ 92.7 dB(A)
Respective uncertainty KpA	2.5 dB(A)
Acoustic pressure LwA	≤ 78.8 dB(A)
Respective uncertainty KwA	2.5 dB(A)

PICTOGRAMS.

-  Read instruction manual
-  Wear eye protection
-  Wear ear protection
-  Wear mouth and nose protection
-  European conformity

SAFETY INSTRUCTIONS.

This pneumatic tool is intended to function as a paint spray gun. Read all safety warnings, instructions, illustrations and specifications provided with this pneumatic tool. Failure to follow all instructions listed below may result in electric shock, fire and/or

serious injury. Keep all warnings and all instructions for future reference. Accidents can be avoided in many cases by recognizing a potentially hazardous situation before it occurs and by observing appropriate safety procedures. Do not use this pneumatic tool for other applications than those specified in this manual. Operations for which this pneumatic tool was not designed may create a hazard and cause personal injury.

WORK AREA SAFETY.

Keep work area clean and well lit. Cluttered and dark areas invite accidents. Do not operate this pneumatic tool near flammable materials. Sparks could ignite these materials. Keep away from children and curious while operating a pneumatic tool. Distractions can cause you to lose control. Keep bystanders a safe distance away from work area. Anyone entering the work area must wear personal protective equipment. Fragments of work piece or of a broken accessory may fly away and cause injury beyond immediate area of operation.

PERSONAL SAFETY.

Stay alert, watch what you are doing and use common sense when operating this pneumatic tool. Do not use this pneumatic tool while tired or under the influence of drugs, alcohol or medicines. A moment of inattention while operating this pneumatic tool may cause damage serious personal.

USE PPE'S.

Wear personal protective equipment. Depending on application, use a face shield, safety goggles or safety glasses. As appropriate, wear dust mask, hearing protectors, gloves and workshop apron capable of stopping small abrasive or work piece fragments. The eye protection must be capable of stopping flying debris generated by various operations. The dust mask or respirator must be capable of filtering particles generated by your operation. Prolonged exposure to high intensity noise may cause hearing loss.

DO NOT WORK ON TIPTOES.

Keep your feet on the ground and balance at all times. This enables better control of the pneumatic tool in unexpected situations.

DRESS PROPERLY.

Do not wear loose clothing or jewelry. Keep your hair, clothing and gloves away from moving parts. Loose clothes, jewelry or long hair can be caught in moving parts. If there are devices for connecting means for extracting and collecting dust, make sure

they are connected and properly used. The use of these devices can reduce dust related hazards.

CONNECTIONS AND AIR TYPE.

Quick connections should be used for connections with the compressed air system and male non-wa-tertight sleeve must be installed in the paint spray gun so that no air is compressed after the disconnection. Never use oxygen, combustible gases or any other bottled gases. Never use oxygen tanks, fuel gas, etc. as a power source for the paint spray gun. Use of these gases or other bottled gases is dangerous, because the paint spray gun could explode. Use only clean, dry and regulated compressed air.

MAXIMUM PRESSURE.

The paint spray gun should be connected to a source of compressed air if the pressure does not exceeded more than 10% the maximum allowable pressure of the paint spray gun; in case of higher pressures a pressure reducing valve should be installed, including a valve-up downstream in the supply of compressed air.

DO NOT POINT THE PAINT SPRAY GUN.

Never aim it at yourself or others, being the paint spray gun loaded or not. Never play with the paint spray gun, use the paint spray gun as a professional tool.

STORE PNEUMATIC TOOLS.

Store pneumatic tools out of reach of children and not allow the handling of pneumatic tools to people unfamiliar with the tools or these instructions. Pneumatic tools are dangerous in the hands of untrained users.

MAINTENANCE.

Check moving parts for misalignment or binding, there are no broken parts or other conditions that may affect the operation of pneumatic tools. Pneumatic tools are repaired before use when they are damaged. Many accidents are caused by poorly maintained pneumatic tools. Use pneumatic tools, accessories and tool tips, etc. according to these instructions and in the manner provided for the par-

ticular type of pneumatic tool, taking into account the conditions work and work to develop. The use of the pneumatic tool for applications other than those intended could result in a dangerous situation. Please check your pneumatic tool serviced by a Werku® official repair service using only identical replacement parts. This will ensure the safety of the pneumatic tool is maintained.

CHECK CONDITION.

Make sure that all the screws in the paint spray gun are perfectly tightened. In cold climates or when the paint spray gun has not been used for a period, allow the paint spray gun to warm up by leaving it to run empty for a few minutes, to ensure that all internal components are perfectly lubricated. Make sure that the possible installed accessories are perfectly fitted in place.

BEFORE STARTING WORK.

Make sure that the suction paint spray gun is firmly supported before using. Check that no one is standing beneath you when using the suction paint spray gun in high areas. Keep your hands away from all moving parts of the suction paint spray gun.

DURING THE OPERATION.

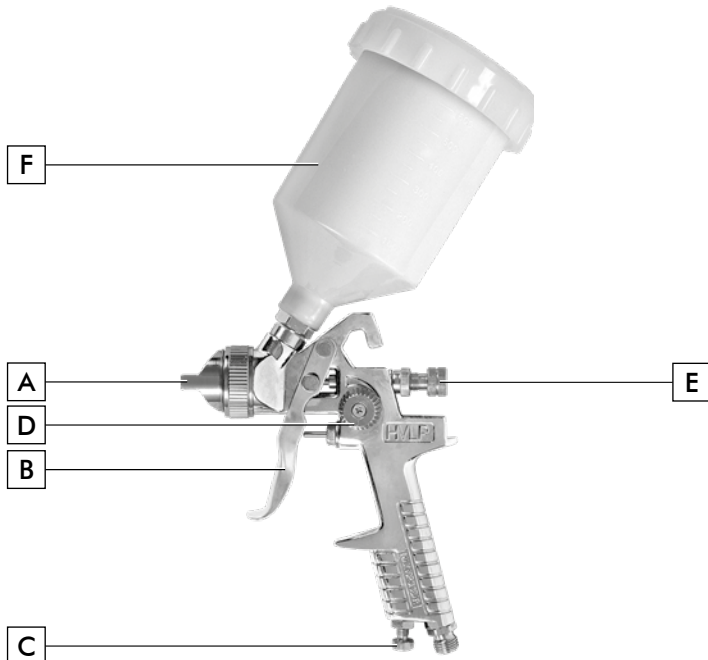
Do not leave the suction paint spray gun operating without having it firmly fixed. Only turn it on when you are sure you have full control over it. Do not point the suction paint spray gun at anyone while in use. When operating the suction paint spray gun will produce vibrations. The screws may gradually come loose, and possibly cause faults or accidents. Keep your hands away from all moving parts of the suction paint spray gun.

AT FINISH WORKING.

Do not touch the possible accessories installed in the suction paint spray gun after use. It may be hot and cause burns. Some materials worked with may contain chemicals or toxic components. Avoid inhaling these substances or allowing them to come into contact with your skin. Use PPE designed to prevent and protect against incidents of this kind.

DESCRIPTION OF THE PRODUCT.

The paint spray gun has been designed to carry out jobs of painting with compressed air. Refer this plan to familiarize yourself with the paint spray gun before use.



- A. Spray direction control.
- B. Trigger.
- C. Air pressure control.
- D. Spray control.
- E. Nozzle regulator.
- F. Cup.

PRODUCT COMPATIBILITY.

Compatible with varnishes, lacquers, enamels, primers, polyurethane paints, acrylic paints, plastic paints and acrylic rubber paints.

USE INSTRUCTIONS.

Before putting the paint spray gun into operation, it is advisable to read all the indicated instructions. Likewise, accident prevention rules, regulations and guidelines for work centres and current laws and restrictions must be taken into account. The paint spray gun must be used only by personnel who have been trained adequately in their handling, and only for the uses for which it has been designed.

COMPRESSOR.

Do not use another power source than an air compressor. The paint spray gun is designed for using with an air compressor, never use carbon dioxide, oxygen or any other bottle gas.

AIR SUPPLY AND CONNECTION SYSTEM.

For a correct installation follow the steps shown in the diagram (13).

OPERATION.

The compressed air enters through the air inlet, which is screwed on to the grip of the paint spray gun (1). By pressing the trigger, the air valve opens to the first pressure point (initial air control) (2). Pressing down further on the trigger, a jet of paint squirts through the fluid outlet (3). The paint runs through by gravity without any pressure, and is pulverised by the compressed air (4).

NOZZLE REGULATOR.

The nozzle regulator adjusts the amount of paint that is pulverised (5). For more paint, twist the nozzle regulator to the left (6). For less paint, twist the nozzle regulator control to the right (7).

SPRAY CONTROL.

The spray control adjusts the width of the spray produced by the paint spray gun. Twist the spray control to the right for wider coverage, or to the left for a narrower jet (8, 9). The spray control may be turned through a total of 360°, and when loosened the paint jet may be directed as required (10).

START-UP.

Fully close the nozzle regulator (5). Connect the paint spray gun to the compressed air supply (1). Press the trigger, first checking air output and then paint output (2). The paint spray gun must be adjusted depending on the type of paint used. Open the fluid outlet control until obtaining an even spray.

SPRAYING TECHNIQUES.

For best results keep the paint spray gun level and parallel to the surface being painted at all times. Hold the paint spray gun 25-30 cm from the working surface and spray evenly from left to right and up and down with slow movements. Do not spray at an angle, as this will cause the paint to form droplets on the surface. When spraying large areas, use a correct working plan (11). Spray moving the arms and not the wrist. Control the speed of the paint spray gun to achieve a smooth, regular movement. Moving too quickly will cause the paint layer to be too thin. Similarly, moving too slowly will cause the paint layer

to be too thick. Apply the coats of paint one by one, leaving them to dry for the times indicated by the manufacturer.

NEEDLE, NOZZLE AND REGULATOR CHANGE.

Unscrew and remove the spray direction control (A). Unscrew and remove the nozzle regulator (E). Subsequently, pull back the fluid-flow needle until it is completely removed. Using the wrench provided, unscrew and remove the fluid-flow nozzle from the head, then screw in the new fluid-flow nozzle. Insert the new fluid-flow needle. Then screw in the nozzle regulator (E). Screw in the new spray direction control (A).

IMPORTANT.

Using products containing halogenated hydrocarbons may cause chemical reactions that lead to explosions. When using solvents and detergents containing halogenated hydrocarbons, such as 1,1,1-trichloroethane and methylene chlorate, chemical reactions may occur in the tank, gun and galvanised parts (when 1, 1, 1-trichloroethane comes into contact with water droplets it produces chlorohydric acid). We recommend using products that do not contain these elements. Before using the paint spray gun and its accessories, these must be cleaned with cleaning solvent, to remove the protective film applied before packing. Acid or alkaline products must not be used to clean the paint spray gun.

MAINTENANCE.

Drain all condensation from the air compressed tanks and hoses (12). To do so, open the decompression taps and other drainage valves in the tanks.

IMPORTANT.

The paint spray gun has been designed for a long working life with minimum maintenance. Optimum use depends on correct care of the paint spray gun and regular cleaning. The paint spray gun may be cleaned effectively using compressed air. If compressed air is not available, use a brush to remove dust from the paint spray gun. Certain cleaning agents and solvents damage plastic parts, among them are gasoline, carbon tetrachloride, chlorina-

ted cleaning solvents, ammonia and household cleaners containing ammonia. Do not use any of these to clean the paint spray gun.

ENVIRONMENT PROTECTION.

The materials and components that have been used to manufacture this product can be re-used and recycled. Werku® is adhered to an Integrated Management System that is in charge of the correct elimination of the residues of this product.. Do not eliminate this product with domestic residues. Werku® offers to its clients a free collection service of these residues through any of its sale points, or in the collection points established by the Integrated Management System or in the recycling point of your locality.

WARRANTY AND TECHNICAL SERVICE.

Werku® offers a warranty that covers the repair of all defects found due to faults in the materials or manufacture. For this cover to be effective it is necessary for these defects to appear within the validity period. The consumer is entitled to free repair of all defects (shipping costs, labour costs and materials included), either via the repair or by replacement (if necessary, with a later model). In any case, Werku® will not accept replacements if these represent a disproportionate cost compared to the cost of repair. This warranty does not affect consumer's rights established by European or national laws. The validity period of this warranty is 3 years. The validity period starts on the date of purchase by the first consumer. This date is shown on the invoice or receipt of purchase. Any claims arising from this warranty must be presented to the Werku® distributor or the Werku® Technical Assistance Service. To do so you must present this warranty correctly completed and stamped by the distributor, together with the sales invoice or receipt. To require any information in relation to this warranty, the buyer and/or distributor may contact the Technical Assistance Service by telephone on +34 981 648 119, or by e-mail at info@werku.com. This warranty does not cover defects caused by parts that have worn out from use other types of natural wear, defects caused by failure to observe the instructions for use and operation, or for applications other than those for which this product is intended, abnormal environmental factors, overloading, or unsuitable




maintenance or cleaning, faults caused by the use of spare parts, accessories or replacements that are not original Werku® parts, if the product has been totally or partially disassembled, modified or repaired by personnel other than that of the Technical Assistance Service or minimum and irrelevant irregularities for suitable use or operation. Repairs and replacements will not extend or renew the validity period of this warranty. The replaced parts will become the property of Werku®. If the buyer sends the product to the Technical Assistance Service, and it fails to comply

with the conditions of this warranty, all expenses and transportation risks shall be paid by the buyer. This warranty is only valid within the territory of the European Union. The company responsible for the compliance of this warranty is Werku Tools SA.

TECHNICAL ADVICE.

The technical department of Werku® is at your disposal to resolve any questions you may have regarding to its products. If you wish to contact our team, send an e-mail to info@werku.com.

POSSIBLE PROBLEMS AND SOLUTIONS.

PROBLEM	CAUSE	SOLUTION
Spray size uneven due to poor atomization.	Too much paint entering air flow. Insufficient air hitting paint flow.	Decrease paint flow or reduce the nozzle to the next size down. Increase air flow with the air control.
Intermittent spray.	Air is getting into the paint circuit.	Tighten the nozzle up with the multi size spanner. Check the paint pot is not empty.
Overspray.	Spray gun distance from work piece. Technique. Atomization too high.	Maintain a distance of 20 cm. Make sure you are not flicking the gun on the leading or trailing edge. Reduce air flow with the air control.
Badly formed spray pattern. 	Nozzle or air cap alignment. Debris or dried paint blocking air cap. Needle tip worn or damage.	Check that both are correctly seated. Check and if necessary clean the air cap and nozzle. Replace needle assembly.
Lack of spray in the center. 	Not enough paint entering air flow. Too much air flow.	Increase paint flow or step up the nozzle to the next size. Reduce air flow with the air control.
Uneven fan shape. 	Air cap holes blocked on one side. Needle tip and air cap worn or damaged nozzle.	Clean the air cap thoroughly. Replace needle assembly.
Air or paint leak.	Sticking trigger or needle mechanism. Loose or worn washers.	Lubricate moving parts. Check tightness, and if tight, replace and lubricate washers.

DECLARACIÓN CONFORMIDAD CE.

Werku® declara que la pistola de pintar WK500740 cumple las siguientes Directivas y Normativas:
2006/42/CE
EN1953:2013

La Coruña, 01/02/2022
R Yáñez
Werku Tools SA

CARACTERÍSTICAS TÉCNICAS.

Compresor	≥ 1.5 hp
Presión trabajo	3-4 bar
Presión máxima	8 bar
Entradaaire.....	BSP1/4"
Transferencia pintura	> 70%
Consumo aire	175 l/min
Diámetros manguera	8 x 15 mm
Diámetro paso fluido	1.7 mm
Capacidad depósito	600 ml
Peso neto	0.7 kg
Presión acústica LpA	≤ 92.7 dB(A)
Posible variación KpA	2.5 dB(A)
Presión acústica LwA	≤ 78.8 dB(A)
Posible variación KwA	2.5 dB(A)

PICTOGRAMAS.

- Leer manual de instrucciones
- Usar protección ocular
- Usar protección para los oídos
- Usar protección en nariz y boca
- Conformidad europea

INSTRUCCIONES DE SEGURIDAD.

Esta herramienta neumática está diseñada para funcionar como pistola de pintar. Lea todas las advertencias de seguridad, instrucciones, ilustraciones y especificaciones que se proporcionan con esta herramienta neumática. Si no sigue todas las instrucciones que se enumeran a continuación, puede provocar una

descarga eléctrica, un incendio y/o lesiones graves. Guarde todas las advertencias y todas las instrucciones para una referencia futura. Los accidentes podrán evitarse en muchos casos dándose cuenta de una situación peligrosa antes de que se produzca, y observando fielmente los procedimientos de seguridad apropiados. No utilice nunca esta herramienta neumática para aplicaciones que no sean las especificadas en este manual. Las operaciones para las que esta herramienta neumática no fue diseñada pueden crear un peligro y causar lesiones personales.

SEGURIDAD DEL AREA DE TRABAJO.

Mantenga el área de trabajo limpia y bien iluminada. Las áreas desordenadas y oscuras provocan accidentes. No utilice esta herramienta neumática cerca de materiales inflamables. Las chispas pueden encender estos materiales. Mantenga alejados a los niños y curiosos mientras maneja una herramienta neumática. Las distracciones pueden causarle la pérdida del control. Mantenga a los transeúntes a una distancia segura del área de trabajo. Cualquiera que entre al área de trabajo debe usar equipo de protección personal. Los fragmentos de la pieza de trabajo o de un accesorio roto pueden salir despedidos y causar lesiones más allá del área de operación inmediata.

SEGURIDAD PERSONAL

Esté alerta, vigile lo que está haciendo y use el sentido común cuando maneje esta herramienta neumática. No use esta herramienta neumática cuando esté cansado o bajo la influencia de drogas, alcohol o medicamentos. Un momento de distracción mientras maneja esta herramienta neumática puede causar un daño personal serio.

USE EPIS.

Use equipo de protección personal. Dependiendo de la aplicación, use un protector facial o gafas de seguridad. Según corresponda, use mascarilla antipolvo, protectores auditivos, guantes y delantal de taller capaces de detener pequeños fragmentos abrasivos o de piezas de trabajo. La protección ocular debe ser capaz de detener los escombros voladores generados por diversas operaciones. La mascarilla antipolvo o el respirador deben ser capaces de filtrar las partículas generadas por su operación. La exposición prolongada a ruidos de alta intensidad puede causar pérdida de audición.

NO TRABAJE DE PUNTILLAS.

Mantenga los pies bien asentados sobre el suelo y conserve el equilibrio en todo momento. Esto permite un mejor control de la herramienta neumática en situaciones inesperadas.

VISTA ADECUADAMENTE.

No vista ropa suelta o joyas. Mantenga su pelo, su ropa y guantes alejados de las piezas en movimiento. La ropa suelta, las joyas o el pelo largo pueden ser cogidos en las piezas en movimiento. Si hay dispositivos para la conexión de medios de extracción y recogida de polvo, asegúrese de que éstos estén conectados y se usen correctamente. El uso de estos dispositivos puede reducir los riesgos relacionados con el polvo.

ACOPLAMIENTOS Y TIPO DE AIRE.

Los acoplamientos rápidos sólo se deben utilizar para la conexión con el sistema de aire comprimido y el manguito macho no estanco, se instala en la pistola de pintar de manera que no quede aire comprimido después de la desconexión. No utilice nunca bombonas de gas. No utilice nunca bombonas de oxígeno, gases combustibles, etc. como fuente de propulsión de esta pistola de pintar. La utilización de estos gases o de otros gases embotellados es peligrosa, ya que la pistola de pintar podría explotar. Utilice solamente aire comprimido limpio, seco y regulado.

PRESION MAXIMA.

La pistola de pintar sólo se debe conectar a una fuente de aire comprimido si la presión no sobrepasa más de un 10% la presión máxima admisible de la pistola de pintar; en el caso de presiones más elevadas se debe instalar una válvula reductora de presión, que incluya una válvula de seguridad aguas abajo, en el suministro de aire comprimido.

NO APUNTE CON LA PISTOLA DE PINTAR.

No apunte nunca hacia sí mismo ni hacia otras personas. No juegue nunca con la pistola de pintar, trate a la pistola de pintar como una herramienta de trabajo.

ALMACENE LAS HERRAMIENTAS NEUMATICAS.

Almacene las herramientas neumáticas inactivas fuera del alcance de los niños y no permita el manejo de la herramienta a personas no familiarizadas con las herramientas neumáticas o con estas instrucciones. Las herramientas neumáticas son peligrosas en manos de usuarios no entrenados.

MANTENIMIENTO.

Compruebe que las partes móviles no estén desalineadas o trabadas, que no haya piezas rotas u otras condiciones que puedan afectar el funcionamiento de las herramientas neumáticas. Las herramientas neumáticas se reparan antes de su uso, cuando están dañadas. Muchos accidentes son causados por herramientas neumáticas pobremente mantenidas. Use la herramientas neumática y accesorios de acuerdo con estas instrucciones y de la manera prevista para el tipo particular de herramientas neumática, teniendo en cuenta las condiciones de trabajo y el trabajo a desarrollar. El uso de la herramientas neumática para aplicaciones diferentes de las previstas podría causar una situación de peligro. Haga revisar su herramientas neumática por un servicio oficial de reparación Werku® usando solamente piezas de recambio idénticas. Esto garantizará que la seguridad de la herramientas neumática se mantiene.

VERIFICAR CONDICIÓN.

Revise que todos los tornillos de la pistola de pintar estén perfectamente apretados. En climas fríos o cuando la pistola de pintar haya estado sin uso durante largo tiempo, deje que la pistola de pintar se caliente un poco haciéndolo funcionar en vacío unos minutos para permitir una perfecta lubricación de los componentes internos. Asegúrese de que los posibles accesorios instalados están perfectamente asentados en su posición.

ANTES DE EMPEZAR A TRABAJAR.

Asegúrese siempre antes de utilizar la pistola de pintar que se encuentra firmemente apoyado. Compruebe que nadie se encuentra bajo la zona de influencia de la pistola de pintar cuando lleve a cabo trabajos en zonas elevadas. Aleje las manos de las partes en movimiento de la pistola de pintar.

DURANTE EL FUNCIONAMIENTO.

No deje la pistola de pintar funcionando sin tenerlo bien sujeto. Hágalo funcionar cuando esté seguro de que lo tiene plenamente controlado. No apunte con la pistola de pintar a nadie durante su funcionamiento. Durante la operación, la pistola de pintar puede producir vibración. Los tornillos pueden ir aflojándose progresivamente pudiendo causar una avería o accidente. Aleje las manos de las partes en movimiento de la pistola de pintar.

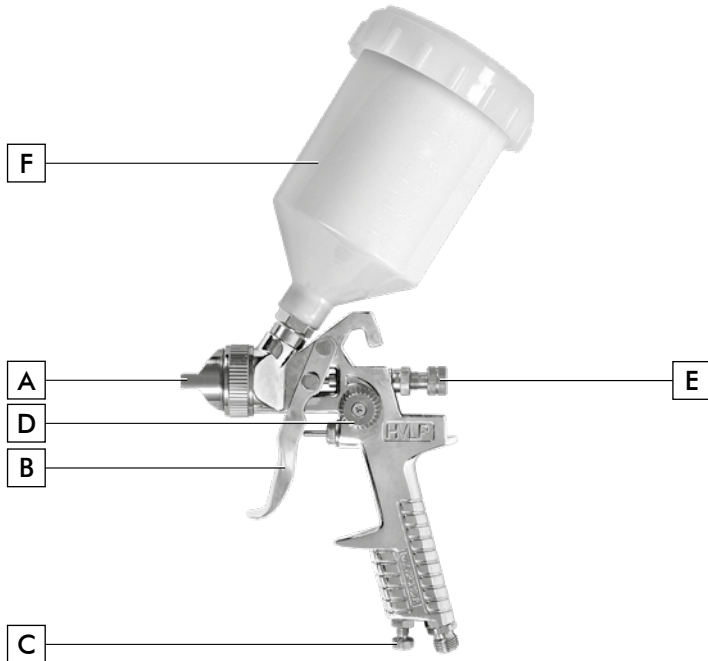
AL TERMINAR DE TRABAJAR.

No toque los accesorios instalados en la pistola de pintar tras su uso. Pueden estar muy calientes y causar una quemadura. Algunos materiales so-

bre los que se trabaja pueden contener químicos o componentes que pueden ser tóxicos. Tenga cuidado para prevenir la inhalación de estas sustancias o el contacto con la piel. Utilice los EPIs diseñados para prevenir y protegerse de dichas incidencias.

DESCRIPCIÓN DEL PRODUCTO.

La pistola de pintar ha sido diseñada para realizar trabajos de pulverización de pintura con aire a presión. Observe este esquema para familiarizarse con la pistola de pintar antes de utilizarla.



- A. Regulador dirección abanico.
- B. Gatillo.
- C. Regulador presión aire.
- D. Regulador abanico.
- E. Regulador paso fluido.
- F. Depósito.

COMPATIBILIDAD PRODUCTO.

Compatible con barnices, lacas, esmaltes, imprimaciones, pinturas de poliuretano, pinturas acrílicas, pinturas plásticas y pinturas de caucho acrílico.

INSTRUCCIONES DE USO.

Antes de efectuar la puesta en marcha de la pistola de pintar, es aconsejable leer completa y minuciosamente todas las instrucciones que se indican. Así mismo, deberán de tenerse en cuenta las normas para la prevención de accidentes, los reglamentos y directivas para los centros de trabajo, y las leyes y restricciones vigentes. La pistola de pintar debe de ser utilizada únicamente por personas instruidas adecuadamente en su manejo y exclusivamente conforme a los fines previstos.

COMPRESOR.

La pistola de pintar está diseñada para funcionar con compresor de aire, nunca use dióxido de carbono, oxígeno u otro gas de bombonas. No use otra fuente de alimentación que no sea un compresor de aire.

SISTEMA DE SUMINISTRO Y CONEXIÓN DE AIRE.

Para una correcta instalación siga los pasos mostrados en el esquema (13).

FUNCIONAMIENTO.

El aire comprimido necesario para pulverizar se carga por la entrada de aire, que está atornillada a la empuñadura de la pistola de pintar (1). Al accionar el gatillo, se abre la válvula de aire hasta el primer punto de presión (control de aire previo) (2). Al seguir apretando el gatillo, sale la aguja de pintura fuera del paso de fluido (3). El medio fluido sale entonces, por la fuerza de la gravedad, sin presión alguna, siendo pulverizado por el aire comprimido (4).

PASO FLUIDO.

El regulador de paso de fluido ajusta la cantidad de pintura pulverizada (5). Para sacar más cantidad de pintura gire el regulador de paso de fluido hacia la izquierda (6). Para sacar menos cantidad de pintura gire el regulador de paso de fluido hacia la derecha (7).

REGULADOR DE ABANICO.

El regulador de abanico ajusta la amplitud pulverizadora de la pistola de pintar. Gire el regulador de abanico hacia la derecha para un abanico más abierto o hacia la izquierda para un abanico más cerrado (8, 9). El regulador de dirección de abanico puede girar hasta un total de 360°, al aflojarlo se puede orientar el abanico según se desee (10).

PUESTA EN MARCHA.

Cierre el regulador de paso de fluido al máximo (5). Conecte la pistola de pintar a la red neumática (1). Accione el gatillo comprobando primero la salida de aire y después la de producto (2). La pistola de pintar debe de ser ajustada según el tipo de pintura utilizada. Abra el regulador de paso fluido hasta que la pulverización sea uniforme.

TÉCNICAS DE PULVERIZADO.

Para obtener un resultado óptimo mantenga la pistola pintar nivelada y paralela a la superficie de trabajo en todo momento. Sitúe la pistola pintar a unos 25-30 cm de la superficie de trabajo y pulverice uniformemente de izquierda a derecha y de arriba abajo con movi-

mientos suaves. No pulverice en ángulo porque provocará que la pintura forme gotas sobre la superficie. Cuando pulverice sobre grandes superficies siga un esquema adecuado de trabajo (11). Realice los movimientos para pintar con el brazo, no con la muñeca. Controle la velocidad con la que mueve la pistola pintar para lograr un movimiento uniforme. Un movimiento demasiado rápido conllevará que la capa de pintura sea demasiado fina. Un movimiento demasiado lento conllevará que la capa de pintura sea demasiado gruesa. Aplique las manos de una en una, dejando los tiempos de secado entre cada mano apropiados según las recomendaciones del fabricante.

CAMBIO DE AGUJA, PICO Y REGULADOR

Desenrosque y retire el regulador de dirección de abanico (A). Desenrosque y retire el regulador de paso fluido (E). Posteriormente, tire hacia atrás la aguja de paso fluido hasta haberla sacado en su totalidad. Con la llave suministrada, desenrosque y retire del cabezal el pico de paso de fluido, posteriormente, enrosque el nuevo pico de paso de fluido. Introduzca la nueva aguja de paso fluido. Posteriormente enrosque el regulador de paso fluido (E). Enrosque el nuevo regulador de dirección de abanico (A).

IMPORTANTE.

El uso de productos que contengan hidrocarburos halogenados puede originar reacciones químicas en forma de explosión. Al utilizar disolventes y detergentes en base a hidrocarburos halogenados, como 1,1,1-tricloroetano y cloruro de metileno, puede haber reacciones químicas en el vaso, la pistola y las piezas galvanizadas (el 1,1,1-tricloroetano en presencia de trazas de agua produce ácido clorhídrico). Recomendamos el uso de productos que no los contengan. Antes de la puesta en servicio de la pistola de pintar y sus accesorios deben limpiarse con disolvente de limpieza, con el fin de eliminar el tratamiento de protección aplicado antes de su embalaje. En ningún caso utilizar ácidos, sosa (álcalis, decapantes, etc.) para la limpieza.

MANTENIMIENTO.

Drene la condensación de los tanques compresores de aire y las mangueras (12). Para ello, abra los grifos de descompresión u otras válvulas de drenaje de los tanques. La pistola de pintar ha sido diseñada para funcionar durante mucho tiempo con un mínimo mantenimiento. El funcionamiento óptimo depende del buen cuidado de la pistola de pintar y de una limpieza frecuente. La pistola de pintar debe limpiarse de manera eficaz utilizando aire comprimido. Utilice siempre gafas protecto-

ras cuando trabaje con aire comprimido. Si no puede utilizar aire comprimido, retire el polvo de la pistola de pintar sirviéndose de un cepillo. Algunos productos de limpieza y disolventes dañan los componentes de plástico, entre los cuales se encuentran la gasolina, el tetraclorometano, los disolventes de limpieza clorados, el amoníaco y los productos de limpieza domésticos que contienen amoníaco. No utilice ninguno de los productos mencionados para limpiar la pistola de pintar.

PROTECCIÓN DEL MEDIO AMBIENTE.

Los materiales y componentes que han sido utilizados para fabricar este producto pueden ser reutilizados y reciclados. Werku® está adherido a un Sistema Integrado de Gestión que se encarga de la correcta eliminación de los residuos de este producto. No elimine este producto en la basura doméstica. Werku® ofrece a sus clientes un servicio gratuito de retirada de dichos residuos en cualquiera de sus puntos de venta, en los puntos de recogida establecidos por el Sistema Integrado de Gestión o en los puntos limpios de su localidad.

GARANTÍA Y SERVICIO TÉCNICO.

Werku® ofrece una garantía que cubre la reparación de los defectos que se aprecian debido a fallos en los materiales o en la fabricación. Para ello es imprescindible que los defectos se produzcan dentro del periodo de validez. El consumidor tiene derecho a la reparación gratuita de los defectos (gastos de envío, mano de obra y materiales incluidos), bien mediante la reparación o mediante la sustitución (si es necesario por un modelo posterior). En todo caso, Werku® no aceptará sustituciones si estos suponen un coste desproporcionado en comparación con el coste de reparación. Esta garantía no afecta los derechos del consumidor establecidos por leyes europeas o nacionales. El periodo de validez de esta garantía es de 3 años. El periodo de validez se inicia en la fecha de compra por el primer consumidor. Esta fecha se refleja en la factura o tique de compra. La reclamación en virtud de esta garantía debe de presentarse al distribuidor de Werku® o al Servicio de Asistencia Técnica de Werku®. Para ello es imprescindible presentar esta garantía debidamente cumplimentada y sellada por el distribuidor, junto con la factura o tique de compra. Para cualquier información referente a esta garantía el comprador y/o el distribuidor puede ponerse en contacto con el Servicio de Asistencia Técnica a través del teléfono +34 981 648 119, o mediante correo




electrónico a info@werku.com. Quedan excluido de esta garantía los defectos que han sido causados por piezas desgastadas por el uso u otro tipo de desgaste natural, los defectos que han sido causados por inobservancia o incumplimiento de las instrucciones de uso y funcionamiento, o de aplicaciones no conformes con el uso al que se destina este producto, o de factores medioambientales anormales, o de sobrecarga, de mantenimiento o limpieza inadecuados, defectos que han sido causados por el uso de accesorios, complementos o repuestos que no son piezas originales Werku®, si el producto ha sido total o parcialmente desmontado, modificado o reparado por personal ajeno al Servicio de Asistencia Técnica o las irregularidades mínimas e irrelevantes para el uso y funcionamiento adecuado. Las reparaciones

y sustituciones no prolongan ni renuevan el plazo de validez de esta garantía. Las piezas sustituidas pasan a ser propiedad de Werku®. Si el comprador remite el producto al Servicio de Asistencia Técnica, no cumpliendo con las condiciones de esta garantía, los gastos y riesgos del transporte corren a cargo del comprador. Esta garantía es válida dentro del territorio de la Unión Europea. La empresa responsable del cumplimiento de esta garantía es Werku Tools SA.

ASESORAMIENTO TÉCNICO.

Werku® pone a su disposición su departamento técnico para resolver cualquier duda que pueda surgir sobre sus productos. En caso de que desee establecer contacto con nuestro equipo, remita un correo electrónico a la dirección info@werku.com.

POSIBLES PROBLEMAS Y SOLUCIONES.

PROBLEMA	CAUSA	SOLUCIÓN
Tamaño de pulverización desigual debido a una atomización deficiente.	Demasiada pintura entrando en el flujo de aire. Aire insuficiente que golpea el flujo de pintura.	Disminuya el flujo de pintura o reduzca la boquilla al siguiente tamaño hacia abajo. Aumente el flujo de aire con el control de aire.
Pulverización intermitente.	Entrada de aire en el circuito de pintura.	Apriete la boquilla con la llave de varios tamaños. Verifique que el bote de pintura no esté vacío.
Sobre pulverización.	Distancia entre la pistola y la pieza de trabajo. Técnica. Atomización demasiado alta.	Mantenga a una distancia de 20 cm. Asegúrese de no mover la pistola en el borde anterior o posterior. Reduzca el flujo de aire con el control de aire.
Patrón de pulverización mal formado. 	Alineación de boquilla o cabezal de aire. Impurezas o pintura seca que bloquea el cabezal de aire. Punta de la aguja desgastada o dañada.	Compruebe que estén correctamente asentados. Compruebe y, si es necesario, limpie el cabezal de aire y la boquilla. Reemplace el conjunto de la aguja.
Falta de pulverización en el centro. 	Entrada insuficiente pintura en el flujo de aire. Demasiado flujo de aire.	Aumente el flujo de pintura o aumente la boquilla al siguiente tamaño. Reduzca el flujo de aire con el control de aire.
Forma de abanico desigual. 	Los orificios del cabezal de aire están bloqueados en un lado. Punta de la aguja y cabezal de aire desgastada o boquilla dañada.	Limpie la tapa de aire a fondo. Reemplace el conjunto de la aguja.
Fuga de aire o pintura.	Mecanismo de aguja o gatillo obstruido. Arandelas sueltas o gastadas.	Lubrique las partes móviles. Verifique el apriete, y si está apretado, reemplace y lubrique las arandelas.

CE KONFORMITÄTSERKLÄRUNG.

Werku® erklärt dass die Farbspritzpistole WK500740 in Übereinstimmung ist mit den folgenden Richtlinien und Normen:
 2006/42/CE
 EN1953:2013








La Coruña, 01/02/2022
 R Yáñez
 Werku Tools SA

TECHNISCHE DATEN.

Kompressor	≥ 1,5 hp
Arbeitsdruck	3-4 bar
Maximale Druck	8 bar
Lufteinlass	BSP 1/4"
Farbübertragung	> 70%
Luftverbrauch	175 l/min
Schlauchdurchmesser	8x15 mm
Düsendurchmesser	1.7mm
TankKapazität	600ml
Nettogewicht	0.7 kg
Schalldruck LpA	≤ 92.7 dB(A)
Mögliche Abweichung KpA	2.5 dB(A)
Schalldruck LwA	≤ 78.8 dB(A)
Mögliche Abweichung KwA	2.5 dB(A)

PIKTOGRAMME.

-  Lesen Sie die Bedienungsanleitung
-  Augenschutz tragen
-  Gehörschutz tragen
-  Mund- und Nasenschutz tragen
-  Europäische Konformität

SICHERHEITSHINWEISE.

Dieses Pneumatische Werkzeug soll als Farbspritzpistole fungieren. Lesen Sie alle Sicherheitswarnungen, Anweisungen, Abbildungen und technischen Daten, die mit diesem Pneumatische Werkzeug geliefert wurden. Die Nichtbeachtung aller unten aufgeführten Anweisungen kann zu Stromschlägen, Feuer und/oder schweren Verletzungen führen. Heben Sie alle

Sicherheitshinweise und die gesamte Gebrauchsanleitung zum späteren Nachlesen auf. Unfälle können häufig vermieden werden, wenn man sich im Voraus der Gefährlichkeit einer Situation bewusst ist und die angemessenen Sicherheitsverfahren hundertprozentig einhält. Verwenden Sie diese Pneumatische Werkzeug niemals zu anderen Zwecken, als zu den in dieser Anleitung aufgeführten. Operationen, für die dieses Pneumatische Werkzeug nicht entwickelt wurde, können eine Gefahr darstellen und zu Verletzungen führen.

EIN SICHERER ARBEITSPLATZ.

Der Arbeitsplatz muss sauber und gut beleuchtet sein. Unordentliche und dunkle Stellen verursachen Unfälle. Betreiben Sie dieses Pneumatische Werkzeug nicht in der Nähe von brennbaren Materialien. Funken könnten diese Materialien entzünden. Wenn Sie mit einem Pneumatische Werkzeug arbeiten, müssen Kinder und Neugierige fern bleiben. Ablenkungen können dazu führen, dass Sie die Kontrolle über das Werkzeug verlieren. Halten Sie umstehende Personen in sicherem Abstand vom Arbeitsbereich. Jeder, der den Arbeitsbereich betritt, muss persönliche Schutzausrüstung tragen. Fragmente von Werkstücken oder defekten Zubehöerteilen können wegfliegen und Verletzungen verursachen, die über den unmittelbaren Einsatzbereich hinausgehen.

PERSÖNLICHE SICHERHEIT.

Seien Sie aufmerksam, achten Sie auf das, was Sie gerade tun und setzen Sie Ihren gesunden Menschenverstand ein, wenn Sie mit dieses Pneumatische Werkzeug arbeiten. Verwenden Sie kein dieses Pneumatische Werkzeug, wenn Sie müde sind oder unter dem Einfluss von Drogen, Alkohol oder Medikamenten stehen. Ein Augenblick, in dem Sie abgelenkt sind, während Sie mit dieses Pneumatische Werkzeug arbeiten, kann zu schweren Personenschäden führen.

PSA VERWENDEN.

Tragen Sie persönliche Schutzausrüstung. Verwenden Sie je nach Anwendung einen Gesichtsschutz, eine Schutzbrille. Tragen Sie gegebenenfalls eine Staubmaske, Gehörschutz, Handschuhe und eine Werkstattschürze, um kleine Schleif- oder Werkstückfragmente zu stoppen. Der Augenschutz muss in der Lage sein, Flugabfälle zu stoppen, die bei verschiedenen Vorgängen entstehen. Die Staubmaske oder das Atemschutzgerät muss in der Lage sein, durch Ihren Betrieb erzeugte Partikel zu filtern. Längerer Kontakt mit Lärm hoher Intensität kann zu Hörverlust führen.

NICHT AUF ZEHENSPITZEN STEHEND ARBEITEN.

Stehen Sie mit den Füßen fest auf dem Boden und achten Sie darauf, das Gleichgewicht nicht zu verlieren. So kontrollieren Sie in unvorhergesehenen Situationen das Pneumatische Werkzeug besser.

ANGEMESSENE KLEIDUNG.

Tragen Sie weder lockere Kleidung noch Schmuck. Halten Sie Haare, Kleidung und Handschuhe von beweglichen Teilen fern. Lockere Kleidung, Schmuck und lange Haare können von den beweglichen Teilen eingeklemmt werden. Falls Anschlüsse für Entstaubungsvorrichtungen vorhanden sind, gewährleisten Sie, dass diese korrekt angeschlossen sind und richtig verwendet werden. Die Verwendung dieser Geräte kann Risiken im Zusammenhang mit Staub verringern.

KUPPLUNGEN UND DRUCKLUFTARTEN.

Die Schnellkupplungen dürfen nur für die Verbindung mit dem Druckluftsystem und dem unveriegelten Stutzen mit Außengewinde verwendet werden. Sie werden so an der Farbspritzpistole angebracht, dass nach dem Abschalten keine Druckluft verbleibt. Niemals Gasflaschen verwenden. Als Antriebsquelle der Farbspritzpistole keine Flaschen mit Sauerstoff oder brennbaren Gasen verwenden. Der Gebrauch dieser Gase oder anderer Gase in Flaschen ist gefährlich, weil die Farbspritzpistole explodieren könnte. Verwenden Sie nur saubere, trockene und regulierte Druckluft.

ZULÄSSIGER HÖCHSTDRUCK.

Die Farbspritzpistole darf nur an eine Druckluftquelle angeschlossen werden, wenn der Druck 10 % des für die Farbspritzpistole zugelassenen Höchstdrucks nicht überschreitet. Bei höherem Druck muss ein Druckminderer mit nachgeschaltetem Sicherheitsventil in die Druckluftzufuhr eingebaut werden.

MIT DER FARBSPRITZPISTOLE NICHT AUF PERSONEN ZIELEN.

Zielen Sie weder auf sich selbst noch auf andere Personen. Spielen Sie nicht mit der Farbspritzpistole, behandeln Sie sie wie ein Werkzeug zum Arbeiten.

AUFBEWAHRUNG VON WERKZEUG MIT DRUCKLUFT.

Bewahren Sie die abgeschaltete Farbspritzpistole außerhalb der Reichweite von Kindern und Personen, die mit pneumatischen Werkzeugen und dieser Gebrauchsanleitung nicht vertraut sind, auf. Pneumatische Werkzeuge sind in den Händen unübter Benutzer gefährlich.

WARTUNG.

Stellen Sie sicher, dass die beweglichen Teile nicht falsch ausgerichtet oder verklemmt sind, dass es keine defekten Teile oder andere Bedingungen gibt, die das Funktionieren pneumatischer Werkzeuge beeinträchtigen könnten. Wenn ein pneumatisches Werkzeug beschädigt ist, muss es vor seiner Verwendung repariert werden. Viele Unfälle werden von schlecht gewarteten pneumatischen Werkzeugen verursacht. Benutzen Sie das pneumatische Werkzeug sowie dessen Zubehör gemäß dieser Gebrauchsanleitung und so, wie es für den jeweiligen Werkzeugtyp vorgesehen ist. Berücksichtigen Sie die Arbeitsbedingungen und die Art der auszuführenden Arbeit. Eine zweckfremde Verwendung des pneumatischen Werkzeugs kann gefährlich sein. Lassen Sie Ihr pneumatisches Werkzeug von einem qualifizierten Reparaturdienst von Werku® überprüfen und verwenden Sie nur Originalersatzteile. Das garantiert eine dauerhafte Sicherheit Ihres pneumatischen Werkzeugs.

ZUSTAND ÜBERPRÜFUNG.

Prüfen Sie, ob alle Schrauben der Farbspritzpistole fest angezogen sind. Bei kaltem Wetter oder wenn die Farbspritzpistole längere Zeit nicht benutzt worden ist, erwärmen Sie die Farbspritzpistole eine Weile, indem Sie sie einige Minuten lang leer laufen lassen. Das verbessert die Schmierung der internen Bauteile. Gewährleisten Sie, dass möglicherweise montiertes Zubehör fest an seiner Stelle sitzt.

VOR ARBEITSBEGINN.

Vor Verwendung der Farbspritzpistole stellen Sie sicher, dass diese fest aufliegt. Achten Sie darauf, dass sich niemand unterhalb des Einflussbereiches der Pistole befindet, wenn Sie in der Höhe arbeiten. Halten Sie die Hände fern von den beweglichen Teilen der Farbspritzpistole.

BEI BETRIEB.

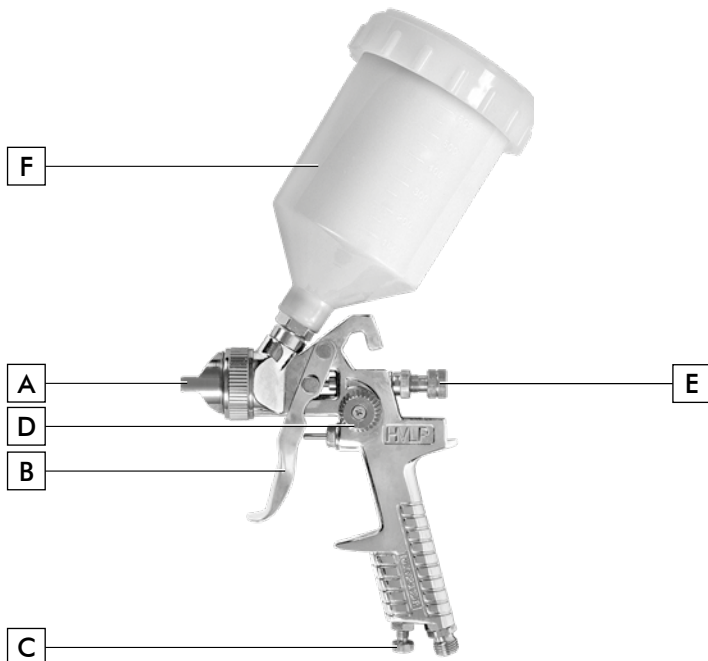
Wenn die Farbspritzpistole nicht fest in den Händen liegt, lassen Sie sie ausgeschaltet. Nehmen Sie sie nur in Betrieb, wenn Sie sich sicher sind, dass Sie sie vollständig unter Kontrolle haben. Zielen Sie auf niemanden mit eingeschalteter Farbspritzpistole. Beim Arbeiten kann die Farbspritzpistole vibrieren. Die Schrauben können sich nach und nach lösen und eine Störung oder einen Unfall verursachen. Halten Sie die Hände von den beweglichen Teilen der Farbspritzpistole fern.

NACH ARBEITSENDE.

Berühren Sie nach Gebrauch nicht das an der Pistole angebrachte Zubehör. Es kann sehr heiß sein und Verbrennungen verursachen. Einige Materialien, mit denen gearbeitet wird, können toxische chemische Substanzen enthalten. Seien Sie vorsichtig und vermeiden Sie das Einatmen dieser Substanzen und den Hautkontakt damit. Verwenden Sie die PSA, um sich vor solchen Zwischenfällen zu schützen und diese zu vermeiden.

PRODUKTBECHREIBUNG.

Die Farbspritzpistole wurde zur Zerstäubung von Farbe mittels Druckluft entwickelt. Schauen Sie sich dieses Schema an, um sich mit der Farbspritzpistole vertraut zu machen, bevor Sie diese verwenden.



- A. Sprührichtungsregler.
- B. Abzug.
- C. Druckluftregler.
- D. Sprühbreitenregler.
- E. Durchflussregler.
- F. Tank.

PRODUKT KOMPATIBILITÄT.

Kompatibel mit Lacken, Lackfarben, Emaille, Grundierungen, Polyurethanfarben, Acrylfarben, Kunststofffarben und Acrylkautschukfarben.

GEBRAUCHSANLEITUNG.

Vor Inbetriebnahme der Farbspritzpistole sollten Sie diese Gebrauchsanleitung vollständig und aufmerksam lesen. Außerdem müssen Sie die Vorschriften zur Verhütung von Arbeitsunfällen, die Betriebsvorschriften und die geltenden Gesetze und Einschränkungen beachten. Die Farbspritzpistole darf

ausschließlich von Personen, die angemessen in ihre Handhabung eingewiesen wurden, und nur zu den vorgesehenen Zwecken, verwendet werden.

LUFTVERSORGUNG UND ANSCHLUSSSYSTEM.

Für eine korrekte Installation befolgen Sie die Schritte in der Abbildung (13).

ARBEITSWEISE.

Die zum Sprühen erforderliche Druckluft wird über den Lufteinlass, der an den Griff der Farbspritzpistole angeschraubt ist, geladen (1). Bei Betätigung des Abzugs öffnet sich das Luftventil bis zum ersten Druckpunkt (Restluftkontrolle) (2). Wenn der Abzug erneut betätigt wird, kommt die Farbnadel aus dem Durchfluss heraus (3). Die Flüssigkeit tritt dann infolge der Schwerkraft, ohne Druck, heraus und wird von der Druckluft zerstäubt (4).

FLÜSSIGKEITSDURCHLAUF.

Der Durchflussregler regelt die Menge der zu zerstäubenden Farbe (5). Wenn Sie mehr Farbe benötigen, drehen Sie den Durchflussregler nach links (6). Wenn Sie weniger Farbe benötigen, drehen Sie den Durchflussregler nach rechts (7).

SPRÜHBREITENREGLER.

Der Sprühbreitenregler regelt den Umfang des Sprühbereichs der Farbspritzpistole. Für einen größeren Sprühbereich drehen Sie den Sprühbreitenregler nach rechts, für einen kleineren Sprühbereich drehen Sie den Sprühbreitenregler nach links (8, 9). Der Sprührichtungsregler kann um 360° gedreht werden; wenn er gelockert wird, kann der Sprühbereich nach Wunsch ausgerichtet werden (10).

INBETRIEBNAHME.

Schließen Sie den Durchflussregler vollständig (5). Schließen Sie die Farbspritzpistole an das Druckluftnetz an (1). Betätigen Sie den Abzug und prüfen Sie zunächst das Austreten der Luft, danach das des Produkts (2). Die Farbspritzpistole muss entsprechend der Farbe, die verwendet werden soll, eingestellt werden. Öffnen Sie den Durchflussregler, bis das Sprühergebnis gleichmäßig ist.

SPRÜHTECHNIKEN.

Für optimale Ergebnisse die Farbspritzpistole stets auf gleicher Höhe und parallel zur Arbeitsfläche halten. Halten Sie die Farbspritzpistole ca. 25-30 cm in gleicher Höhe und parallel zur Arbeitsfläche und sprühen Sie die Farbe mit langsamen Bewegungen von links nach rechts und von oben nach unten auf die Fläche. Sprühen Sie nicht aus einer angewinkelten Position, da die Farbe ansonsten Tropfen auf der

Fläche bilden könnte. Wenn Sie große Flächen besprühen, halten Sie sich an ein Arbeitsschema (11). Führen Sie die Sprühbewegungen mit dem Arm, nicht mit dem Handgelenk aus. Kontrollieren Sie die Geschwindigkeit, mit der Sie die Farbspritzpistole bewegen, damit Ihre Bewegungen gleichmäßig sind. Zu schnelle Bewegungen führen zu einer zu dünnen Farbschicht. Zu langsame Bewegungen führen zu einer zu dicken Farbschicht. Tragen Sie die einzelnen Farbschichten nach und nach auf und halten Sie die vom Hersteller empfohlenen Trocknungszeiten zwischen den einzelnen Arbeitsgängen ein.

ÄNDERUNG VON NADEL, DÜSE UND REGLER.

Schrauben Sie den Sprühhichtungsregler (A) ab und entfernen Sie ihn. Den Durchflussregler (E) abschrauben und entfernen. Ziehen Sie anschließend die Flüssigkeitsströmung Nadel zurück, bis sie vollständig entfernt ist. Mit dem mitgelieferten Schraubenschlüssel die Flüssigkeitsdüse vom Kopf abschrauben und entfernen, dann die neue Flüssigkeitsdüse einschrauben. Setzen Sie die neue Flüssigkeitsströmung Nadel ein. Dann den Durchflussregler (E) einschrauben. Schrauben Sie den neuen Sprühhichtungsregler ein (A).

WICHTIG.

Die Verwendung von Produkten, die Halogenkohlenwasserstoffe enthalten, können explosionsartige chemische Reaktionen auslösen. Die Verwendung von Lösungs- und Reinigungsmitteln auf der Grundlage von Halogenkohlenwasserstoffen wie beispielsweise 1,1,1-Trichlorethan und Methylenchlorid kann zu chemischen Reaktionen im Glas, der Pistole und auf verzinkten Teilen führen (aus der Verbindung von 1,1,1-Trichlorethan mit Spuren von Wasser geht Salzsäure hervor). Wir empfehlen die Verwendung von Produkten, die diese Substanzen nicht enthalten. Vor Inbetriebnahme der Farbspritzpistole und dem Zubehör müssen diese mit einem Lösungsmittel für Reinigungszwecke gereinigt werden, um die Schutzbehandlung, die vor der Verpackung aufgetragen wurde, zu entfernen. Verwenden Sie auf keinen Fall Säuren, Natronlauge (Laugen, Dekapiermittel u. a.) zur Reinigung.

WARTUNG.

Lassen Sie die Kondensationsflüssigkeit aus den Drucklufttanks und den Schläuchen ab (12). Öffnen Sie zu diesem Zweck die Druckentlastungshähne und sonstige Kondensableiter der Tanks. Die Farbspritzpistole wurde entwickelt, um lange Zeit wartungsfrei eingesetzt zu werden. Ein optimales Funktionieren hängt von einer sorgfältigen Pflege und häufigem Reinigen ab. Die Farbspritz-

pistole wird am besten mit Druckluft gereinigt. Falls Sie keine Druckluft verwenden können, bürsten Sie den Staub von der Farbspritzpistole ab. Einige Reinigungs- und Lösungsmittel beschädigen die Kunststoffteile, u. a. Benzin, Tetrachlormetan, chlorhaltige Lösungsmittel für Reinigungszwecke, Ammoniak und Haushaltsreiniger mit Ammoniak. Reinigen Sie die Farbspritzpistole niemals mit einem der genannten Produkte.

UMWELTSCHUTZ.

Die Materialien und Bauteile, die für die Herstellung dieses Produkts verwendet wurden, können recycelt und wiederverwertet werden. Werku® arbeitet mit einem Integrierten Abfallbewirtschaftungssystem, das die korrekte Entsorgung der Rückstände dieses Produkts abwickelt. Werfen Sie dieses Produkt nicht in den Haushaltsmüll. Werku® bietet seinen Kunden einen kostenlosen Service, um diese Rückstände von einer der Verkaufsstellen, den vom Integrierten Abfallbewirtschaftungssystem eingerichteten Sammelstellen oder den Abfallsammelstellen Ihrer Gemeinde abzuholen.

GARANTIE UND KUNDENSERVICE.

Werku® bietet eine Garantie der die Reparatur von Mängeln aufgrund von Material- oder Fabrikationsfehlern umfasst. Damit diese Garantie gewährleistet wird, müssen diese Mängel innerhalb des Gültigkeitszeitraums auftreten. Der Verbraucher hat das Recht auf kostenlose Reparatur von Mängeln (einschl. Versand-, Verarbeitungs- oder Materialkosten), entweder durch Reparatur oder durch Ersatz (falls erforderlich, durch ein späteres Modell). In jedem Fall akzeptiert Werku keinen Ersatz, wenn dieser einen unverhältnismäßigen Aufwand im Vergleich zu den Reparaturkosten darstellt. Diese Garantie berührt nicht die Rechte des Verbrauchers, die durch europäische oder nationale Gesetze festgelegt sind. Der Gültigkeitszeitraum dieser Garantie beträgt 3 Jahre. Der Gültigkeitszeitraum beginnt ab dem Datum des Kaufes durch den erstmaligen Verbraucher. Dieses Datum ist auf der Rechnung oder dem Kaufbeleg enthalten. Eine Reklamation im Zusammenhang mit dieser Garantie muss dem Werku Händler oder Werku Kundenservice vorgelegt werden. Hierzu muss diese Garantie ordnungsgemäß ausgefüllt, vom Händler gestempelt und zusammen mit der Rechnung oder dem Kaufbeleg vorgelegt werden. Für weitere Informationen zu dieser Garantie können sich der Käufer oder der Händler telefonisch über +34 981 648 119 oder über E-Mail an info@werku.com mit dem Kundenservice in Verbindung setzen. Ausgenommen von dieser Garantie sind Mängel, die infolge von verschlissenen Teilen durch den Gebrauch oder eine




andere Art von natürlichem Verschleiß verursacht wurden, Mängel aufgrund von Unaufmerksamkeit oder Nichtbefolgung der Bedienungsanleitung und unsachgemäßem Betrieb, eine Benutzung, die nicht dem Gebrauch entspricht, für den das Produkt bestimmt ist, ungewöhnliche Umweltfaktoren, Überlastung, unangemessene Wartung oder Reinigung, Mängel aufgrund der Verwendung von Zubehör, Ergänzungen oder Ersatzteilen, die keine Originalteile von Werku® sind, wenn das Produkt durch Personal, das nicht zum Kundenservice gehört, ganz oder teilweise auseinander montiert, verändert oder repariert wurde oder kleine und für den Gebrauch und ordnungsgemäßen Betrieb unwesentliche Unregelmäßigkeiten. Durch Reparaturen und Ersatz wird der Gültigkeitszeitraum für diese Garantie weder verlängert

noch neu festgelegt. Ersetzte Teile gehen in das Eigentum von Werku® über. Wenn der Käufer das Produkt an den Kundenservice zurückgibt und dabei nicht die Bedingungen dieser Garantie erfüllt, gehen die Kosten und Gefahren zu Lasten des Käufers. Diese Garantie gilt auf dem Gebiet der Europäischen Union. Das für die Erfüllung der Garantie verantwortliche Unternehmen ist Werku Tools SA.

TECHNISCHE BERATUNG.

Werku® stellt Ihnen seine technische Abteilung zur Verfügung, damit Sie alle Fragen, die zu unseren Produkten auftreten könnten, klären können. Wenn Sie sich mit unserem Team in Verbindung setzen möchten, senden Sie eine E-Mail an folgende Adresse: info@werku.com.

MÖGLICHE PROBLEME UND LÖSUNGEN.

PROBLEM	URSACHE	LÖSUNG
Ungleichmäßige Sprühgröße durch schlechte Zerstäubung.	Zu viel Farbe gelangt in den Luftstrom. Unzureichende Luft trifft auf den Farbfluss.	Farbfluss verringern oder Düse auf die nächste Größe verkleinern. Erhöhen Sie den Luftstrom mit Luftsteuerung.
Intermittierendes Sprühen.	Lufteinlass im Farbkreislauf.	Ziehen Sie die Düse mit dem Mehrgrößenschlüssel fest. Überprüfen Sie, ob der Farbbehälter nicht leer ist.
Übersprühen.	Abstand zwischen Lackierpistole und Werkstück. Technik. Zerstäubung zu hoch.	Halten Sie einen Abstand von 20 cm ein. Achten Sie darauf, die Pistole nicht an der Vorder- oder Hinterkante zu bewegen. Reduzieren Sie den Luftstrom mit Luftsteuerung.
Schlecht geformtes Spritzbild. 	Düsen- oder Luftkappenausrichtung. Verunreinigungen oder getrocknete Farbe blockieren die Luftkappe. Abgenutzte oder beschädigte Nadelspitze.	Prüfen Sie, ob beide richtig sitzen. Luftkappe und Düse prüfen und ggf. reinigen. Ersetzen Sie die Nadeleinheit.
Fehlendes Sprühen in der Mitte. 	Unzureichender Lackeintrag in den Luftstrom. Zu viel Luftstrom.	Erhöhen Sie den Farbfluss oder erhöhen Sie die Düse auf die nächste Größe. Reduzieren Sie den Luftstrom mit Luftsteuerung.
Ungleichmäßige Fächerform. 	Luftkappenlöcher sind auf einer Seite blockiert. Verschlissene Luftkappe und Nadelspitze oder beschädigte Düse.	Reinigen Sie die Luftkappe gründlich. Ersetzen Sie die Nadeleinheit.
Luft- oder Lackleck.	Nadel oder Auslösemechanismus verstopft. Lose oder abgenutzte Unterlegscheiben.	Bewegliche Teile schmieren. Überprüfen Sie die Dichtheit, ersetzen und schmieren Sie die Unterlegscheiben, wenn sie fest sind.

DÉCLARATION DE CONFORMITÉ CE.

Werku® déclare que le pistolet à peinture WK500740 est en conformité avec les suivantes Directives et Normes:
2006/42/CE
EN1953:2013



La Coruña, 01/02/2022

R Yáñez

Werku Tools SA

CARACTÉRISTIQUES TECHNIQUES.

Compresseur	≥ 1,5 hp
Pression travail	3-4 bar
Pression maximale	8 bar
Air d'entrée	BSP 1/4"
Transfert peinture	> 70%
Consommation d'air	175 l/min
Diamètres hose	8 x 15 mm
Diamètre buse	1.7 mm
Capacité réservoir	600 ml
Poids net	0.7 kg
Pression acoustique LpA	≤ 92.7 dB(A)
Possible variation KpA	2.5 dB(A)
Pression acoustique LwA	≤ 78.8 dB(A)
Possible variation KwA	2.5 dB(A)

PICTOGRAMMES.

Lire manuel d'instructions



Porter protection oculaire



Porter protection per le orecchie



Porter protection du nez et bouche



Conformité européenne

CONSIGNES DE SÉCURITÉ.

Cet outil pneumatique est conçu pour fonctionner comme pistolet à peinture. Lisez tous les avertissements, instructions, illustrations et spécifications de sécurité fournis avec cet outil pneumatique. Le non-respect de toutes les instructions énumérées

ci-dessous peut entraîner un choc électrique, un incendie et/ou des blessures graves. Conservez tous les avertissements et toutes les consignes pour vous y référer ultérieurement. Les accidents peuvent dans de nombreux cas être évités en identifiant les situations dangereuses avant qu'un accident ne se produise et en respectant fidèlement les procédures de sécurité adéquates. N'utilisez jamais ce outil pneumatique dans les cas non spécifiés dans ce manuel. Les opérations pour lesquelles cet outil pneumatique n'a pas été conçu peuvent créer un danger et provoquer des blessures.

SÉCURITÉ DE LA ZONE DE TRAVAIL.

Conservez la zone de travail rangée et bien éclairée. Les zones mal rangées et mal éclairées sont sources d'accidents. N'utilisez pas cet outil pneumatique à proximité de matériaux inflammables. Des étincelles pourraient enflammer ces matériaux. Maintenez les enfants et les curieux éloignés pendant que vous manipulez un outil pneumatique. Les distractions peuvent être sources d'une perte de contrôle. Gardez les spectateurs à une distance sécuritaire de la zone de travail. Toute personne entrant dans la zone de travail doit porter un équipement de protection individuelle. Des fragments de pièce de travail ou d'un accessoire cassé peuvent s'envoler et causer des blessures au-delà de la zone de travail immédiate.

SÉCURITÉ PERSONNELLE.

Soyez vigilant et attentif à ce que vous faites et faites appel à votre bon sens quand vous manipulez cet outil pneumatique. N'utilisez pas cet outil pneumatique si vous êtes fatigué ou sous l'influence de drogues, d'alcool ou de médicaments. Un moment de distraction pendant que vous manipulez cet outil pneumatique peut vous causer de graves blessures corporelles.

UTILISEZ DES EPI.

Portez un équipement de protection individuelle. Selon l'application, utilisez un écran facial ou des lunettes de sécurité. Le cas échéant, porter un masque anti-poussière, des protecteurs auditifs, des gants et un tablier d'atelier capables d'arrêter de petits fragments abrasifs ou de pièces de travail. La protection oculaire doit être capable d'arrêter les débris volants générés par diverses opérations. Le masque anti-poussière ou le respirateur doit être capable de filtrer les particules générées par votre opération. Une exposition prolongée à un bruit de haute intensité peut entraîner une perte auditive.

NE TRAVAILLEZ PAS SUR LA POINTE DES PIEDS. Maintenez vos pieds bien à plat sur le sol et conservez votre équilibre à tout moment. Cela vous permettra de mieux contrôler l'outil pneumatique en cas d'imprévu.

HABILLEZ-VOUS EN CONSÉQUENCE.

Ne portez pas de vêtements flottants ou des bijoux. Éloignez vos cheveux, vos vêtements et vos gants des pièces en mouvement. Les vêtements flottants, les bijoux ou les cheveux longs peuvent être pris dans les pièces en mouvement. S'il existe des dispositifs pour la connexion de moyens d'extraction et de ramassage de la poussière, assurez-vous qu'ils soient branchés et qu'ils fonctionnent correctement. L'utilisation de ces dispositifs peut réduire les risques liés à la poussière.

RACCORDS ET TYPE D'AIR.

Les raccords rapides ne doivent être utilisés que pour le branchement avec le système d'air comprimé et le manchon mâle non étanche. Il doit être installé sur le pistolet à peinture de sorte qu'il ne reste pas d'air comprimé après le débranchement. N'utilisez jamais de bombones de gaz. N'utilisez jamais de bombones d'oxygène, de gaz combustibles, etc. comme source de propulsion pour ce pistolet à peinture. L'utilisation de ces gaz ou d'autres gaz en bouteille est dangereuse, le pistolet à peinture pouvant exploser. Utilisez uniquement de l'air comprimé propre, sec et régulé.

PRESSION MAXIMALE.

Le pistolet à peinture ne doit être raccordé qu'à une source d'air comprimé si la pression ne dépasse pas plus de 10% la pression maximale admissible du pistolet à peinture. En cas de pressions plus élevées, une valve de réduction de pression incluant une soupape de sécurité en aval doit être installée dans l'alimentation en air comprimé.

NE VISEZ PERSONNE AVEC LE PISTOLET À PEINTURE.

Ne dirigez jamais vers vous-même ni vers d'autres personnes le pistolet à peinture. Ne jouez jamais avec le pistolet et considérez-le comme un outil de travail.

STOCKEZ LES OUTILS PNEUMATIQUES.

Rangez les outils pneumatiques inutilisés hors de portée des enfants et n'autorisez pas leur manie-ment par des personnes non familiarisées avec ce

type d'outils ou méconnaissant les consignes de sécurité. Les outils pneumatiques sont dangereux entre les mains d'utilisateurs non avertis.

ENTRETIEN.

Vérifiez que les parties mobiles ne sont pas désalignées ou entravées, qu'il n'y a pas de pièces cassées ou d'autres conditions qui peuvent affecter le fonctionnement des outils pneumatiques. Les outils pneumatiques doivent être réparés avant leur utilisation quand ils sont endommagés. De nombreux accidents sont causés par des outils pneumatiques mal entretenus. Utilisez ces outils pneumatiques et leurs accessoires en respectant ces instructions et le mode d'utilisation prévu pour chaque type d'outils pneumatiques, en tenant compte des conditions de travail et de la tâche à effectuer. L'utilisation de l'outil pneumatique à des fins autres que celles spécifiées pourrait provoquer une situation de danger. Faites réviser vos outils pneumatiques par un service officiel de réparation Werku® en utilisant uniquement des pièces de rechange identiques. C'est une garantie de sécurité pour votre outil.

VÉRIFICATION ÉTAT.

Vérifiez que toutes les vis du pistolet à peinture sont parfaitement bien serrées. Sous des climats froids ou quand le pistolet à peinture n'a pas été utilisé depuis longtemps, laissez le pistolet se réchauffer un peu en le faisant fonctionner à vide pendant quelques minutes afin de permettre une parfaite lubrification de ses composants internes. Assurez-vous que les possibles accessoires installés sont bien à leur place.

AVANT DE COMMENCER À TRAVAILLER.

Avant d'utiliser le pistolet, assurez-vous qu'il est fermement calé. Vérifiez que personne ne se trouve dans la zone d'action du pistolet à peinture quand vous effectuez des travaux dans des zones en hauteur. Éloignez vos mains des parties du pistolet en mouvement.

PENDANT LE FONCTIONNEMENT.

Ne faites pas fonctionner le pistolet à peinture s'il n'est pas bien maintenu. Faites-le fonctionner quand vous êtes sûr de le contrôler totalement. Ne le dirigez pas vers quelqu'un pendant son fonctionnement. Pendant l'opération, le pistolet à pein-

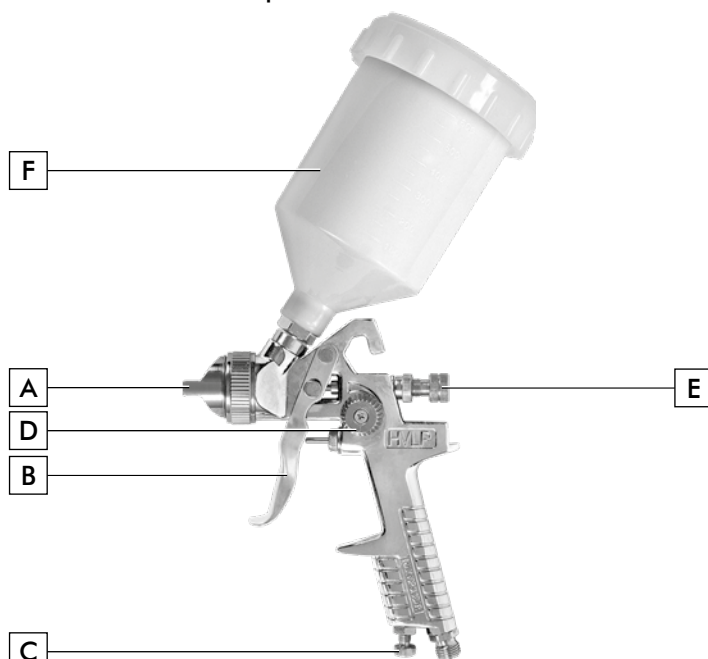
ture peut produire des vibrations. Les vis peuvent se dévisser petit à petit, ce qui peut provoquer une panne ou un accident. Éloignez vos mains des parties du pistolet en mouvement.

À LA FIN DE VOTRE TRAVAIL.

Ne touchez pas les accessoires installés sur le pistolet à peinture après son utilisation. Ils peuvent être très chauds et causer des brûlures. Certains matériaux sur lesquels vous travaillez peuvent contenir des substances chimiques ou des composants toxiques. Soyez attentif à ne pas inhaler ces substances et à ce que votre peau ne soit pas en contact avec. Utilisez les EPI conçus pour prévenir et vous protéger de ce type d'accidents.

DESCRIPTION DU PRODUIT.

Ce pistolet à peinture a été conçu pour effectuer des travaux de pulvérisation de peinture avec air sous pression. Observez ce schéma pour vous familiariser avec ce pistolet avant de l'utiliser.



- A. Régulateur direction éventail.
- B. Déclencheur.
- C. Régulateur pression air.
- D. Régulateur éventail.
- E. Régulateur passage fluide.
- F. Réservoir.

COMPATIBILITÉ PRODUIT.

Compatible avec les vernis, les laques, les émaux, les impressions, les peintures polyuréthanes, les peintures acryliques, les peintures plastiques et les peintures en caoutchouc acrylique.

NOTICE D'UTILISATION.

Avant de mettre en marche le pistolet à peinture, il est recommandé de lire attentivement toutes les instructions ci-dessous. Vous devrez également tenir compte des normes de prévention des accidents, des règlements et des directives pour les centres de travail, ainsi que des lois et restrictions en vigueur. Le pistolet à peinture doit être utilisé uniquement par des personnes adéquatement formées à son maniement et respectant exclusivement les fins ici prévues.

SYSTÈME DE ALIMENTATION ET RACCORDEMENT DE AIR.

Pour une installation correcte, suivez les étapes indiquées sur le schéma (13).

FONCTIONNEMENT.

L'air comprimé nécessaire pour pulvériser la peinture pénètre par l'entrée d'air vissée à la poignée du pistolet à peinture (1). En actionnant le déclencheur, la valve d'air s'ouvre jusqu'au premier point de pression (contrôle d'air préalable) (2). En continuant à actionner le déclencheur, l'aiguille à peinture sort hors du passage de fluide (3). Le fluide est alors pulvérisé par la force de gravité, sans aucune pression, par l'air comprimé (4).

PASSAGE DE FLUIDE.

Le régulateur de passage de fluide adapte la quantité de peinture pulvérisée (5). Pour pulvériser davantage de peinture, tournez le régulateur de passage de fluide vers la gauche (6). Pour pulvériser moins de peinture, tournez le régulateur de passage de fluide vers la droite (7).

RÉGULATEUR D'ÉVENTAIL.

Le régulateur d'éventail adapte l'amplitude de pulvérisation du pistolet. Tournez le régulateur d'éventail vers la droite pour un éventail plus ouvert ou vers la gauche pour un éventail plus fermé (8, 9). Le régulateur de direction d'éventail peut tourner jusqu'à 360°. En donnant du mou, vous pourrez orienter l'éventail comme souhaité (10).

MISE EN MARCHÉ.

Fermez le régulateur de passage de fluide au maximum (5). Connectez le pistolet à peinture au réseau pneumatique (1). Actionnez le déclencheur en vérifiant d'abord la sortie d'air et ensuite celle du produit (2). Le pistolet à peinture doit être réglé selon le type de peinture utilisé. Ouvrez le régulateur de passage de fluide jusqu'à ce que la pulvérisation soit uniforme.

TECHNIQUES DE PULVÉRISATION.

Pour obtenir de meilleurs résultats, maintenez le pistolet à plat et parallèle à la surface de travail à tout moment. Maintenez le pistolet à peinture à environ 25-30 cm de la surface de travail et pulvérisez uniformément de gauche à droite et de haut en bas avec des mouvements doux. Ne pulvérisez pas dans les angles car la peinture formera alors des gouttelettes sur la surface. Lorsque vous pulvérisez sur de grandes surfaces, respectez un schéma de travail approprié (11). Quand vous effectuez les mouvements avec le pistolet à peinture, bougez le bras en entier et non seulement le poignet. Maîtrisez la vitesse de mouvement du pistolet pour obtenir une peinture uniforme. Des mouvements trop rapides produiront une couche de peinture trop mince. Des mouvements trop lents produiront une couche de peinture trop épaisse. Appliquez les couches de peinture une par une, en laissant chaque couche sécher suffisamment longtemps, conformément aux recommandations du fabricant.

CHANGEMENT DE AIGUILLE, BUSE ET RÉGULATEUR.

Dévisser et retirer le régulateur de direction éventail (A). Dévisser et retirer le régulateur de passage de fluide (E). Ensuite, retirez l'aiguille de passage de fluide jusqu'à ce qu'elle soit complètement retirée. À l'aide de la clé fournie, dévissez et retirez de la tête la buse de passage de fluide, puis vissez la nouvelle buse de passage de fluide. Insérez la nouvelle aiguille de passage de fluide. Visser ensuite le régulateur de passage de fluide (E). Visser le nouveau régulateur de direction éventail (A).

IMPORTANT.

L'utilisation de produits contenant des hydrocarbures halogénés peut provoquer des réactions chimiques sous la forme d'explosions. Si vous utilisez des solvants et des détergents sur la base d'hydrocarbures halogénés, comme 1,1,1-trichloroéthane et chlorure de méthylène, il peut y avoir des réactions chimiques dans le verre, le pistolet et les pièces galvanisées (le 1,1,1-trichloroéthane en présence de traces d'eau produit de l'acide chlorhydrique). Nous recommandons l'utilisation de produits n'en contenant pas. Avant la mise en service du pistolet à peinture et de ses accessoires, ils doivent être nettoyés avec une solution de nettoyage avec solvants afin d'éliminer le traitement de protection appliqué avant son emballage. Vous ne devez utiliser en aucun cas des acides, de la soude (des alcalis, des décapants, etc.) pour leur nettoyage.

ENTRETIEN.

Drainez la condensation des réservoirs compresseurs d'air et des tuyaux (12). Pour cela, ouvrez les robinets de décompression ou autres valves de drainage des réservoirs. Le pistolet à peinture a été conçu pour fonctionner longtemps avec un minimum d'entretien. Son bon fonctionnement dépend des soins qui lui sont apportés et d'un nettoyage fréquent. Le pistolet à peinture doit être nettoyé de manière efficace en utilisant de l'air comprimé. Si vous ne pouvez pas utiliser d'air comprimé, retirez la poussière du pistolet avec une brosse. Certains produits de nettoyage et certains solvants endommagent les composants en plastique, parmi lesquels l'essence, le tétrachlorométhane, les solvants chlorés, l'ammoniaque et les produits de nettoyage domestiques contenant de l'ammoniaque. N'utilisez aucun de ces produits pour nettoyer le pistolet à peinture.

PROTECTION DE L'ENVIRONNEMENT.

Les matériaux et composants utilisés pour fabriquer ce produit peuvent être réutilisés et recyclés. Werku® a adhéré à un Système Intégré de Gestion qui se charge de l'élimination correcte des résidus de ce produit. Ne jetez pas ce produit dans les ordures domestiques. Werku® propose à ses clients un service gratuit de collecte de ces résidus dans tous ses points de vente, dans les points de collecte listés par le Système Intégré de Gestion ou dans les points de collecte de votre commune.

GARANTIE ET SERVICE TECHNIQUE.

Werku® offre une garantie qui couvre la réparation des défauts résultant de défaillances dans le matériel ou la fabrication. Pour cela, les défauts doivent être constatés pendant la période de validité. Le consommateur a droit à la réparation gratuite des défauts (frais envoi, main d'œuvre et matériaux inclus), au moyen de la simple réparation ou par remplacement (le cas échéant, par un modèle postérieur). Dans tous les cas, Werku® n'acceptera pas les remplacements s'ils représentent un coût disproportionné par rapport au coût de la réparation. Cette garantie n'affecte pas les droits du consommateur établis par les lois européennes ou nationales. La période de validité de cette garantie est de 3 ans. La période de validité débute à la date d'achat par le premier consommateur. Cette date figure sur la facture ou le ticket de caisse. Les réclamations en vertu de cette garantie doivent être présentées au distributeur de Werku® ou au Service d'Assistance Technique de Werku®. Pour cela, il est indispensable de présenter cette garantie dûment complétée et tamponnée par le distributeur, accompagnée de la




facture ou du ticket d'achat. Pour toute information relative à cette garantie, l'acheteur et/ou le distributeur peut contacter le Service d'Assistance Technique au +34 981 648 119, ou par courrier électronique à info@werku.com. Sont exclus de cette garantie les défauts causés par des pièces usées résultant d'une utilisation naturelle, les défauts causés par le non respect ou la mauvaise application de la notice d'utilisation ou par une utilisation non conforme à celle à laquelle est destiné ce produit, par des facteurs environnementaux anormaux ou une surcharge, un entretien ou un nettoyage inadéquats, les défauts causés par l'utilisation d'accessoires ou de pièces de rechange qui ne sont pas des pièces d'origine Werku® et si le produit a été totalement ou partiellement démonté, modifié ou réparé par du personnel autre que celui du Service d'Assistance Technique, ou s'il s'agit d'irrégularités minimales et insignifiantes pour

une utilisation et un fonctionnement adéquats. Les réparations et remplacements ne prolongent ni ne renouvellent le délai de validité de cette garantie. Les pièces remplacées sont la propriété de Werku®. Si l'acheteur remet le produit au Service d'Assistance Technique en ne remplissant pas les conditions de cette garantie, les frais et risques du transport seront à sa charge. Cette garantie est valable sur le territoire de l'Union Européenne. L'entreprise responsable de l'application de cette garantie est Werku Tools SA.

ASSISTANCE TECHNIQUE.

Werku® met à votre disposition son service technique pour répondre à toutes les questions sur ses produits. Si vous souhaitez contacter notre équipe, veuillez envoyer un courrier électronique à l'adresse suivante: info@werku.com.

POSSIBLES PROBLÈMES ET SOLUTIONS.

PROBLÈME	CAUSE	SOLUTION
Taille de pulvérisation inégale en raison d'une mauvaise atomisation.	Trop de peinture entrant dans le flux d'air. Débit de peinture insuffisant.	Diminuer le débit de peinture ou réduire la buse à la taille suivante. Augmenter le débit d'air avec le contrôle de air.
Pulvérisation intermittente.	Entrée d'air dans le circuit de peinture.	Serrez la buse avec la clé multi-taille. Vérifiez que le pot de peinture n'est pas vide.
Pulvérisation excessive.	Distance entre le pistolet à peinture et pièce. Technique. Atomisation trop élevée.	Tenir à une distance de 20 cm. Assurez-vous de ne pas déplacer le pistolet sur le bord d'attaque ou de fuite. Réduisez le flux d'air avec le contrôle de l'air.
Forme de pulvérisation mal formée. 	Alignement de buse ou capuchon d'air. Impuretés ou peinture séchée obstruant le chapeau d'air. Pointe d'aiguille usée ou endommagée.	Vérifiez que les deux sont bien en place. Vérifiez et nettoyez si nécessaire le chapeau d'air et la buse. Remplacer l'ensemble d'aiguille.
Manque de pulvérisation au centre. 	Entrée de peinture insuffisante dans le flux d'air. Trop de flux d'air.	Augmenter le débit de peinture ou augmenter la buse à la taille suivante. Réduisez le flux d'air avec le contrôle de l'air.
Forme d'éventail inégale. 	Les trous du chapeau d'air sont bloqués d'un côté. Chapeau d'air et pointe d'aiguille usés ou buse endommagée.	Nettoyez soigneusement le chapeau d'air. Remplacer l'ensemble d'aiguille.
Fuite d'air ou de peinture.	Mécanisme de aiguille ou gâchette obstrué. Rondelles desserrées ou usées.	Lubrifier les pièces mobiles. Vérifiez l'étanchéité et, si elles sont serrées, remplacez et lubrifiez les rondelles.

DICHIARAZIONE DI CONFORMITÀ CE.

Werku® dichiara che la pistola dipingere WK500740 è conforme con le seguenti Direttive e Norme:
2006/42/CE
EN1953:2013



La Coruña, 01/02/2022
R Yáñez
Werku Tools SA

CARATTERISTICHE TECNICHE.

Compressore	≥ 1.5 hp
Pressione lavoro	3-4 bar
Pressione massima	8 bar
Ingresso aria	BSP 1/4"
Trasferimento pittura	> 70%
Consumo aria	175 l/min
Diametri tubo	8 x 15 mm
Diametro passaggio fluido	1.7 mm
Capacità stoccaggio	600 ml
Peso netto	0.7 kg
Pressione acustica LpA	≤ 92.7 dB(A)
Possibile variazione KpA	2.5 dB(A)
Pressione acustica LwA	≤ 78.8 dB(A)
Possibile variazione KwA	2.5 dB(A)

PITTOGRAMMI.

Indossare protezione per gli occhi



Indossare protezioni per orecchie



Indossare protezioni per naso e bocca



Leggere manuale di istruzioni



Conformità europea

ISTRUZIONI DI SICUREZZA.

Questo utensile pneumatico è progettato per essere usato come pistola dipingere. Leggere tutte le avvertenze di sicurezza, le istruzioni, le illustrazioni e le specifiche fornite con questo utensile pneumatico. La mancata osservanza di tutte le istruzioni elencate di seguito può provocare scosse elettriche, incendi e/o lesioni gravi. Conservare tutte le avvertenze e le istruzioni per consultazioni future. Gli incidenti possono spesso essere evitati prendendo coscienza di una potenziale situa-

zione di pericolo prima che essa si verifichi e seguendo le procedure di sicurezza adeguate. Non utilizzare mai questo utensile pneumatico in casi non specificati in questo manuale. Le operazioni per le quali questo utensile pneumatico non è stato progettato possono creare un pericolo e causare lesioni personali.

SICUREZZA DELL'AREA DI LAVORO.

Mantenere l'area di lavoro pulita e ben illuminata. Le aree disordinate e buie possono incrementare la possibilità di incidenti. Non usare questo utensile pneumatico vicino a materiali infiammabili. Le scintille possono incendiare questi materiali. Tenere lontani bambini e curiosi mentre si utilizza un utensile pneumatico. Le distrazioni possono causare perdita di controllo. Tenere i pedoni a distanza di sicurezza dall'area di lavoro. Chiunque entri nell'area di lavoro deve indossare dispositivi di protezione personale. Frammenti del pezzo da lavorare o un accessorio rotto possono volare via e causare lesioni al di fuori dell'area operativa immediata.

SICUREZZA PERSONALE.

Stai attento, osserva cosa stai facendo e usa il buon senso quando utilizzi questo utensile pneumatico. Non utilizzare questo utensile pneumatico quando si è stanchi o sotto l'effetto di droghe, alcol o farmaci. Un momento di distrazione durante l'utilizzo questo utensile pneumatico può causare gravi lesioni personali.

USA EPIS.

Indossare dispositivi di protezione individuale. A seconda dell'applicazione, indossare una visiera o occhiali di sicurezza. Se appropriato, indossare una maschera antipolvere, protezioni per le orecchie, guanti e grembiule in grado di fermare piccoli frammenti abrasivi o di pezzi in lavorazione. La protezione degli occhi deve essere in grado di fermare i detriti volanti generati dalle varie operazioni. La maschera antipolvere o il respiratore devono essere in grado di filtrare le particelle generate dal suo funzionamento. L'esposizione prolungata al rumore ad alta intensità può causare la perdita dell'udito.

NON LAVORARE CON LE CRAVATTA.

Tieni i piedi ben saldi a terra e mantieni sempre l'equilibrio. Ciò consente un migliore controllo dell'utensile pneumatico in situazioni impreviste.

VESTIRSI ADEGUATAMENTE.

Non indossare abiti larghi o gioielli. Tieni i capelli, i vestiti e i guanti lontani dalle parti in movimento. Indumenti larghi, gioielli o capelli lunghi possono rimanere

impigliati nelle parti in movimento. Se sono presenti dispositivi per il collegamento di mezzi di aspirazione e raccolta della polvere, assicurarsi che questi siano collegati e utilizzati correttamente. L'utilizzo di questi dispositivi può ridurre i rischi legati alla polvere.

RACCORDI E TIPO DI ARIA.

Gli attacchi rapidi devono essere utilizzati solo per il collegamento con l'impianto dell'aria compressa e l'attacco maschio che perde. Dovrebbe essere installato sulla pistola dipingere in modo che non rimanga aria compressa dopo la disconnessione. Non usare mai bombole di gas. Non utilizzare mai bombole di ossigeno, gas combustibili, ecc. come fonte di propulsione per questa pistola dipingere. L'uso di questi o altri gas in bombole è pericoloso in quanto la pistola dipingere potrebbe esplodere. Utilizzare solo aria compressa pulita, asciutta e regolata.

PRESSIONE MASSIMA.

La pistola dipingere deve essere collegata a una sorgente di aria compressa solo se la pressione non supera di oltre il 10% la pressione massima consentita della pistola dipingere. In caso di pressioni superiori è necessario installare nell'alimentazione dell'aria compressa un riduttore di pressione comprensivo di valvola di sicurezza a valle.

NON MIRARE NESSUNO CON LA PISTOLA DIPINGERE.

Non puntare mai la pistola dipingere contro se stessi o altre persone. Non giocare mai con la pistola dipingere e considerala uno strumento di lavoro.

CONSERVARE UTENSILI PNEUMATICI.

Conservare gli utensili pneumatici inutilizzati fuori dalla portata dei bambini e non permettere che vengano maneggiati da persone che non hanno familiarità con questo tipo di utensile o che non comprendono le istruzioni di sicurezza. Gli utensili pneumatici sono pericolosi nelle mani di utenti ignari.

MANUTENZIONE.

Verificare che le parti in movimento non siano disallineate o ostruite, che non vi siano parti rotte o altre condizioni che possano influenzare il funzionamento degli utensili pneumatici. Gli utensili pneumatici devono essere riparati

prima dell'uso se danneggiati. Molti incidenti sono causati da utensili pneumatici sottoposti a manutenzione impropria. Utilizzare questi utensili pneumatici e i loro accessori secondo le presenti istruzioni e la modalità d'uso prevista per ogni tipo di utensile pneumatico, tenendo conto delle condizioni di lavoro e del compito da svolgere. L'utilizzo dell'utensile pneumatico per scopi diversi da quelli specificati potrebbe causare una situazione pericolosa. Fate revisionare i vostri utensili pneumatici da un servizio di riparazione ufficiale Werku® utilizzando solo pezzi di ricambio identici. Questa è una garanzia di sicurezza per il tuo utensile.

CONTROLLO CONDIZIONI.

Controllare che tutte le viti della pistola dipingere siano completamente serrate. In climi freddi o quando la pistola dipingere non è stata utilizzata per lungo tempo, lasciare che la pistola dipingere si riscaldi un po' facendola funzionare a vuoto per alcuni minuti per consentire una corretta lubrificazione dei suoi componenti interni. Assicurarsi che gli eventuali accessori installati siano correttamente al loro posto.

PRIMA DI INIZIARE A LAVORARE.

Prima di utilizzare la pistola dipingere, assicurarsi che sia saldamente in sede. Assicurarsi che nessuno si trovi nel raggio della pistola dipingere quando si lavora in aree alte. Tenere le mani lontane dalle parti in movimento della pistola dipingere.

DURANTE L'OPERAZIONE.

Non azionare la pistola dipingere se non è sottoposta a una corretta manutenzione. Usalo quando sei sicuro di avere il pieno controllo su di esso. Non puntarlo contro nessuno mentre è in funzione. Durante il funzionamento, la pistola dipingere può produrre vibrazioni. Le viti potrebbero allentarsi a poco a poco, causando un guasto o un incidente. Tenere le mani lontane dalle parti in movimento della pistola dipingere.

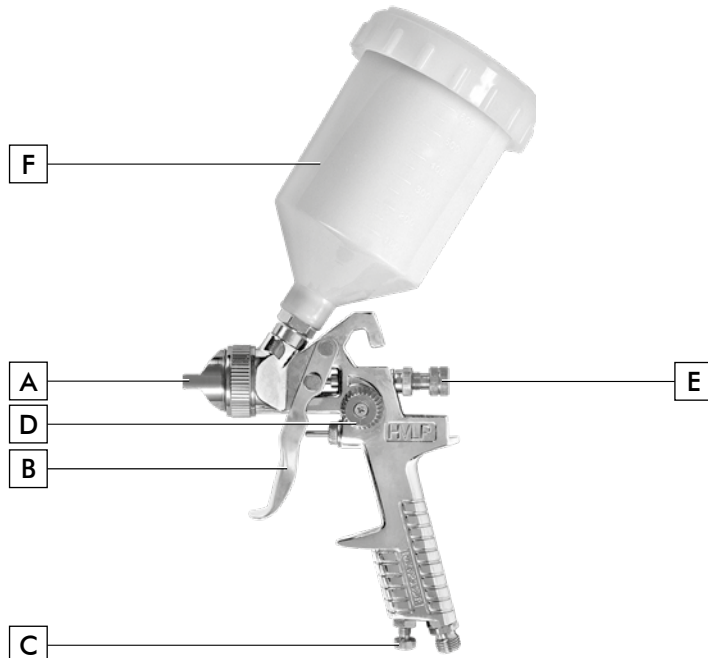
ALLA FINE DEL TUO LAVORO.

Non toccare gli accessori installati sulla pistola dipingere dopo l'uso. Possono essere molto calde e causare ustioni. Alcuni dei materiali con cui lavori possono contenere sostanze chimiche

o componenti tossici. Fare attenzione a non inalare queste sostanze e che la pelle non venga a contatto con esse. Utilizzare i DPI progettati per prevenire e proteggersi da questo tipo di incidente.

DESCRIZIONE DEL PRODOTTO.

Questa pistola dipingere è stata progettata per eseguire lavori di verniciatura a spruzzo con aria compressa. Usa questo diagramma per familiarizzare con questa pistola dipingere prima di usarla.



- A. Regolatore di direzione del ventilatore.
- B. Attivatore.
- C. Regolatore di pressione dell'aria.
- D. Regolatore della ventola.
- E. Regolatore del passaggio del fluido.
- F. Serbatoio.

COMPATIBILITÀ PRODOTTO.

Compatibile con vernici, lacche, smalti, primer, vernici poliuretatiche, vernici acriliche, vernici plastiche e vernici in gomma acrilica.

ISTRUZIONI PER L'USO.

Prima di avviare la pistola dipingere, si consiglia di leggere attentamente tutte le istruzioni di seguito. Dovrai anche considerare gli standard di prevenzione degli infortuni, i regolamenti e le linee guida sul posto di lavoro, nonché le leggi e le restrizioni applicabili. La pistola dipingere deve essere utilizzata solo da persone adeguatamente addestrate alla sua manipolazione ed esclusivamente nel rispetto delle finalità qui previste.

SISTEMA DI ALIMENTAZIONE E ACCOPPIAMENTO D'ARIA.

Per una corretta installazione seguire i passaggi indicati nello schema (13).

FUNZIONAMENTO.

L'aria compressa necessaria per spruzzare la vernice entra attraverso la presa d'aria avvitata all'impugnatura della pistola dipingere (1). Azionando il grilletto, la valvola dell'aria si apre al primo punto di pressione (previo controllo dell'aria) (2). Continuando a premere il grilletto, l'ago della vernice fuoriesce dal passaggio del fluido (3). Il fluido viene quindi spruzzato per forza di gravità, senza alcuna pressione, da aria compressa (4).

PASSAGGIO FLUIDO.

Il regolatore del passaggio del fluido adatta la quantità di vernice spruzzata (5). Per spruzzare più vernice, ruotare il regolatore di flusso del fluido verso sinistra (6). Per spruzzare meno vernice, ruotare il regolatore di flusso del fluido in senso orario (7).

REGOLATORE VENTOLA.

Il regolatore della ventola adatta l'ampiezza di spruzzo della pistola dipingere. Ruotare il regolatore della ventola verso destra per una ventola più aperta o verso sinistra per una ventola più chiusa (8, 9). Il regolatore di direzione della ventola può ruotare fino a 360°. Dando allentamento, sarai in grado di orientare il ventilatore come desideri (10).

AVVIARE.

Chiudere al massimo il regolatore di flusso del fluido (5). Collegare la pistola dipingere alla rete pneumatica (1). Azionare il pulsante di scatto controllando prima l'uscita dell'aria e poi quella del prodotto (2). La pistola dipingere deve essere regolata in base al tipo di vernice utilizzata. Aprire il regolatore di flusso del fluido finché lo spruzzo non è uniforme.

TECNICHE DI SPRUZZATURA.

Per ottenere i migliori risultati, mantieni la pistola sempre piatta e parallela alla superficie di lavoro. Tenere la pistola a circa 25-30 cm dalla superficie di lavoro e spruzzare uniformemente da sinistra a destra e su e giù con movimenti delicati. Non spruzzare negli angoli poiché la vernice formerà goccioline sulla superficie. Quando si spruzzano aree estese, seguire un programma di lavoro adeguato (11). Quando esegui i movimenti con la pistola a spruzzo, muovi tutto il braccio, non solo

il polso. Padroneggia la velocità di movimento della pistola per ottenere una vernice uniforme. Movimenti troppo veloci produrranno uno strato di vernice troppo sottile. Movimenti troppo lenti produrranno uno strato di vernice troppo spesso. Applicare le mani di vernice una alla volta, lasciando che ciascuna mano si asciughi abbastanza a lungo, secondo le raccomandazioni del produttore.

CAMBIO AGO, UGELLO E REGOLATORE.

Svitare e rimuovere il regolatore di direzione del ventilatore (A). Svitare e rimuovere il regolatore di passaggio di fluido (E). Successivamente, tirare indietro l'ago di passaggio di fluido fino a rimuoverlo completamente. Utilizzando la chiave in dotazione, svitare e rimuovere l'ugello di passaggio di fluido dalla testa, quindi avvitare il nuovo ugello di passaggio di fluido. Inserire il nuovo ago di passaggio di fluido. Quindi avvitare il regolatore di passaggio di fluido (E). Avvitare il nuovo regolatore di direzione del ventilatore (A).

IMPORTANTE.

L'utilizzo di prodotti contenenti idrocarburi alogenati può provocare reazioni chimiche sotto forma di esplosioni. Se si utilizzano solventi e detergenti a base di idrocarburi alogenati, come 1,1,1-tricloroetano e cloruro di metilene, possono verificarsi reazioni chimiche nel vetro, nella pistola dipingere e nelle parti zincate (l'1,1,1-tricloroetano in presenza di tracce di acqua producono acido cloridrico). Si consiglia l'uso di prodotti che non lo contengono. Prima di mettere in servizio la pistola dipingere e i suoi accessori, devono essere puliti con una soluzione detergente con solventi per rimuovere il trattamento protettivo applicato prima dell'imballaggio. In nessun caso si devono utilizzare acidi, soda (alcali, decapanti, ecc.) per la loro pulizia.

MANUTENZIONE.

Scaricare la condensa dai serbatoi e dai tubi del compressore d'aria (12). Per fare ciò, aprire le valvole limitatrici di pressione o altre valvole di drenaggio del serbatoio. La pistola dipingere è stata progettata per funzionare a lungo con una manutenzione minima. Il suo corretto funzionamento dipende dalla cura e dalla pulizia frequenti. La pistola dipingere deve essere pulita efficacemente utilizzando aria compressa. Se non è possibile utilizzare l'aria compressa, rimuovere la polvere dalla pistola dipingere con un pennello. Alcuni prodotti per la pulizia e solventi danneggiano i componenti in plastica, inclusi

benzina, tetraclorometano, solventi clorurati, ammoniaca e prodotti per la pulizia della casa contenenti ammoniaca. Non utilizzare nessuno di questi prodotti per pulire la pistola dipingere.

PROTEZIONE AMBIENTALE.

I materiali e i componenti utilizzati per realizzare questo prodotto possono essere riutilizzati e riciclati. Werku® ha aderito ad un Sistema di Gestione Integrato responsabile del corretto smaltimento dei residui di questo prodotto. Non gettare questo prodotto nei rifiuti domestici. Werku® offre ai propri clienti un servizio gratuito di raccolta di questi residui presso tutti i propri punti vendita, presso i punti di raccolta previsti dal Sistema di Gestione Integrato o presso i punti di raccolta del proprio Comune.

GARANZIA E SERVIZIO TECNICO.

Werku® offre una garanzia che copre la riparazione dei difetti che risultano essere dovuti a difetti di materiali o di fabbricazione. Per questo è essenziale che i difetti si verifichino entro il periodo di validità. Il consumatore ha diritto alla riparazione gratuita dei difetti (comprese le spese di spedizione, la manodopera e i materiali), mediante riparazione o sostituzione (se necessario con un modello successivo). In ogni caso Werku® non accetterà sostituzioni qualora rappresentino un costo sproporzionato rispetto al costo della riparazione. Questa garanzia non pregiudica i diritti del consumatore stabiliti dalle leggi europee o nazionali. Il periodo di validità di questa garanzia è di 3 anni. Il periodo di validità inizia a decorrere dalla data di acquisto da parte del primo consumatore. Questa data è indicata sulla fattura o sulla ricevuta d'acquisto. Il reclamo in base a questa garanzia deve essere presentato al distributore di Werku® o al Servizio di Assistenza Tecnica di Werku®. A tal fine, è indispensabile presentare questa garanzia debitamente compilata e timbrata dal distributore, insieme alla fattura o alla ricevuta d'acquisto. Per qualsiasi informazione su questa garanzia, l'acquirente e/o il distributore possono contattare il Servizio di Assistenza Tecnica per telefono al +34 981 648 119 o per e-mail a info@werku.com. Sono esclusi da questa garanzia i difetti che sono stati causati da parti usurate dall'uso o da altra usura naturale, i difetti che sono stati causati dall'inosservanza o dal mancato rispetto delle istruzioni per l'uso e il funzionamento, o da applicazioni che non sono conformi all'uso previsto di questo prodotto, o da fattori ambientali anormali, o sovraccarico, manutenzione o pulizia inadeguata, difetti causati dall'uso di accessori,




complementi o pezzi di ricambio non originali Werku®, se il prodotto è stato totalmente o parzialmente smontato, modificato o riparato da personale esterno al Servizio di Assistenza Tecnica o la presenza di piccole irregolarità irrilevanti per il suo corretto uso e il suo adeguato funzionamento. Le riparazioni e le sostituzioni non estendono o rinnovano il periodo di validità di questa garanzia. Le parti sostituite diventano proprietà della Werku®. Qualora l'acquirente invii il prodotto al Servizio di Assistenza Tecnica, non rispettando le condizioni della presente garanzia, le spese e i rischi di

trasporto saranno a carico dell'acquirente. Questa garanzia è valida all'interno dell'Unione Europea. La società responsabile dell'adempimento di questa garanzia è la Werku Tools SA.

CONSIGLIO TECNICO.

Werku® mette a tua disposizione il suo ufficio tecnico per rispondere a qualsiasi domanda che possa sorgere sui suoi prodotti. Nel caso in cui desideri stabilire un contatto con il nostro team, invia un'e-mail all'indirizzo info@werku.com.

POSSIBILI PROBLEMI E SOLUZIONI.

PROBLEMA	CAUSA	SOLUZIONE
Dimensione dello spruzzo irregolare a causa della scarsa atomizzazione.	Troppa vernice che entra nel flusso d'aria. Flusso di vernice che colpisce l'aria insufficiente.	Diminuire il flusso di vernice o ridurre l'ugello alla dimensione successiva. Aumenta il flusso d'aria con il controllo dell'aria.
Spruzzatura intermittente.	Ingresso aria nel circuito di verniciatura.	Stringere l'ugello con la chiave multi-formato. Controllare che il barattolo di vernice non sia vuoto.
Spruzzatura eccessiva.	Distanza tra pistola a spruzzo e il pezzo. Tecnica. Atomizzazione troppo alta.	Mantieni una distanza di 20 cm. Assicurarsi di non spostare la pistola sul bordo anteriore o posteriore. Riduci il flusso d'aria con il controllo dell'aria.
Modello di spruzzo formato male. 	Allineamento dell'ugello o cappello dell'aria. Impurità o vernice secca che bloccano il cappello dell'aria. Punta dell'ago usurata o danneggiata.	Controllare che siano correttamente inseriti. Controllare e, se necessario, pulire il cappello dell'aria e l'ugello. Sostituire il gruppo dell'ago.
Mancanza di spruzzatura al centro. 	Ingresso di vernice insufficiente nel flusso d'aria. Troppo flusso d'aria.	Aumenta il flusso di vernice o aumenta l'ugello alla dimensione successiva. Riduci il flusso d'aria con il controllo dell'aria.
Forma a ventaglio irregolare. 	I fori del cappello dell'aria sono bloccati su un lato. Cappello aria e punta dell'ago usurati o ugello danneggiato.	Pulire accuratamente il cappello dell'aria. Sostituire il gruppo dell'ago.
Perdita di aria o vernice.	Ago o grilletto intasati. Rondelle allentate o usurate.	Lubrificare le parti in movimento. Controllare la tenuta e, se serrata, sostituire e lubrificare le rondelle.

CE CONFORMITEITSVERKLARING.

Werku® verklaart dat de verfspuitpistool WK500740 in overeenstemming is met de volgende Richtlijnen en Normen:
2006/42/CE
EN1953:2013








La Coruña, 01/02/2022
R Yáñez
Werku Tools SA

TECHNISCHE EIGENSCHAPPEN.

Compressor	≥ 1.5 hp
Werkdruk	3-4 bar
Maximale druk	8 bar
Luchtinlaat	BSP 1/4"
Verfoverdracht	> 70%
Luchtverbruik	175 l/min
Slang diameter	8 x 15 mm
Mondstuk diameter	1.7 mm
Tank inhoud	600 ml
Netto gewicht	0.7 kg
Geluidsdruk LpA	≤ 92.7 dB(A)
Respectievelijke onzekerheid KpA	2.5 dB(A)
Akoestische druk LwA	≤ 78.8 dB(A)
Respectievelijke onzekerheid KwA	2.5 dB(A)

PICTOGRAMMEN.

-  Lees instructiehandleiding
-  Draag oogbescherming
-  Draag gehoorbescherming
-  Draag mond- en neusbescherming
-  Europese conformiteit

VEILIGHEIDSINSTRUCTIES.

Dit pneumatisch gereedschap is bedoeld om te functioneren als verfspuitpistool. Lees alle veiligheidswaarschuwingen, instructies, illustraties en specificaties die bij dit pneumatisch gereedschap zijn geleverd. Het niet opvolgen van alle onderstaande instructies kan leiden tot elektrische schokken, brand en/of ernstig letsel. Ongevallen kunnen meestal wor-

den voorkomen door erkenning van een potentiële gevaarlijke situatie voordat deze plaatsvindt en door het observeren van de juiste veiligheidsprocedures. Deze pneumatisch gereedschap niet gebruiken voor andere toepassingen dan die in deze handleiding zijn gespecificeerd. Handelingen waarvoor dit pneumatisch gereedschap niet is ontworpen, kunnen gevaar opleveren en persoonlijk letsel veroorzaken.

WERKOMGEVING VEILIGHEID.

Houw de werkomgeving schoon en goed verlicht. Een rommelige of onverlichte werkomgeving kan ongevallen veroorzaken. Gebruik dit pneumatisch gereedschap niet in de buurt van brandbare materialen. Vonken kunnen deze materialen doen ontbranden. Houw kinderen en nieuwsgierigen uit de buurt tijdens het gebruiken van een pneumatisch gereedschap. Afleidingen kunnen controleverlies veroorzaken. Houd omstanders op veilige afstand van het werkgebied. Iedereen die het werkgebied betreedt, moet persoonlijke beschermingsmiddelen dragen. Fragmenten van het werkstuk of van een kapot accessoire kunnen wegvliegen en letsel veroorzaken buiten het directe werkgebied.

PERSOONLIJKE VEILIGHEID.

Blijf alert, let op wat u doet en gebruik uw gezond verstand bij het bedienen van dit pneumatisch gereedschap. Gebruik geen dit pneumatisch gereedschap wanneer u moe of onder invloed bent van drugs, alcohol of medicijnen. Een moment van onoplettendheid bij het gebruik van dit pneumatisch gereedschap kan ernstige persoonlijke schade veroorzaken.

GEBRUIK PBM'S.

Draag persoonlijke beschermingsmiddelen. Gebruik, afhankelijk van de toepassing, een gelaatsscherm of veiligheidsbril. Draag indien nodig een stofmasker, gehoorbeschermers, handschoenen en een werkplaatsschort die kleine schurende deeltjes of stukjes werkstuk kan stoppen. De oogbescherming moet in staat zijn om rondvliegende brokstukken te stoppen die door verschillende operaties worden gegenereerd. Het stofmasker of gasmasker moet in staat zijn om deeltjes te filteren die door uw operatie worden gegenereerd. Langdurige blootstelling aan lawaai van hoge intensiteit kan gehoorbeschadiging veroorzaken.

NIET OP DE TENEN WERKEN.

Houw de voeten goed op de grond en blijf in ieder moment in evenwicht Dit vergemogelijkt een betere controle van het pneumatisch gereedschap in onverwachte situaties.

DRAAG GESCHIKTE KLEDING.

Draag geen losse kleding of sieraden. Houw uw haar, kleding en handschoenen uit de buurt van bewegende delen. Losse kleding, sieraden en lange haren kunnen door bewegende delen worden opgenomen. Als er apparaten zijn voor de verbinding van extractiemiddelen en stofverzamelaars, zorg erdan voor dat ze zijn aangesloten en juist worden gebruikt. Het gebruik van deze apparaten kan gevaren die met stof te maken hebben verminderen.

AANSLUITINGEN EN LUCHT TYPE.

Snelle verbindingen mogen alleen worden gebruikt voor het verbinden van het persluchtstelsel en de slang; door deze in de verfspuitpistool te plaatsen zodat er geen perslucht overblijft na de uitschakeling. Nooit gebottelde gassen gebruiken. Nooit als voedingsbron voor de verfspuitpistool, zuurstof tanks, brandstof gas, etc. gebruiken. Het gebruik van deze gassen of andere gebottelde gassen is gevaarlijk omdat de verfspuitpistool kan ontploffen. Gebruik alleen schone, droge en geregleerde perslucht.

MAXIMALE DRUK.

De verfspuitpistool moet alleen worden aangesloten op een persluchtbron als de druk niet meer dan 10% de maximaal toelaatbare druk van de verfspuitpistool overschrijd; bij hogere drukken moet een reduceerventiel worden geïnstalleerd, met een veiligheidsklep in de toevoer van perslucht.

DE VERFSPUITPISTOOL NIET RICHTEN.

Richt nooit op jezelf of anderen. Speel nooit met de verfspuitpistool, maak er alleen als werkgereedschap gebruik van.

HET OPSLAAN VAN PERSLUCHTGEREEDSCHAP.

Pneumatisch gereedschap dat niet in gebruik is moet worden opgeladen buiten het bereik van kinderen en mag niet worden gebruikt door personen zonder ervaring met pneumatisch gereedschap of door mensen die deze instructies niet kennen. Pneumatisch gereedschap is gevaarlijk in de handen van onervaren gebruikers.

ONDERHOUD.

Controleer of bewegende delen niet los zitten of vastgelopen zijn, of er geen gebroken onderdelen of andere omstandigheden zijn die de werking van pneumatische gereedschappen kunnen beïnvloeden.

Pneumatisch gereedschap moet worden gerepareerd voor gebruik en wanneer deze beschadigd zijn. Veel ongelukken worden veroorzaakt door slecht onderhouden pneumatisch gereedschap. Gebruik pneumatisch gereedschap en accessoires volgens deze instructies en op de wijze die voor het specifieke type pneumatisch gereedschap geldt, rekening houdend met de werkomstandigheden en het te ontwikkelen werk. Het gebruik van pneumatisch gereedschap voor andere dan de voorziene toepassingen kan tot gevaarlijke situaties leiden. Laat uw pneumatisch gereedschap controleren en repareren door een officiële Werku® reparatieservice en gebruik alleen originele vervangingsonderdelen. Dit zal de veiligheid van het pneumatisch gereedschap in stand houden.

CONDITIE CONTROLE.

Zorg ervoor dat alle schroeven in de verfspuitpistool perfect zijn vastgedraaid. Laat de verfspuitpistool opwarmen door deze leeg te gebruiken gedurende koude klimaten of als de verfspuitpistool een lange periode niet gebruikt is, om ervoor te zorgen dat alle interne componenten perfect gesmeerd worden. Zorg ervoor dat de eventuele geïnstalleerde accessoires perfect aangebracht zijn en op zijn plaats zitten.

VOORDAT U BEGINT.

Voordat u de verfspuitpistool gebruikt, zorg ervoor dat u stevig staat. Controleer of er niemand onder de verfspuitpistool influentiezonaire staat indien u in de hoogte werkt. Houw uw handen uit de buurt van alle bewegende delen van de verfspuitpistool.

TIJDENS HET WERKEN.

De verfspuitpistool niet laten werken zonder deze stevig vast te houden. Laat deze allen werken als u zeker bent dat u volledige controle over de verfspuitpistool heeft. Richt de verfspuitpistool nooit op iemand terwijl deze in gebruik is. Bij gebruik van de verfspuitpistool kunnen trillingen optreden. Schroeven kunnen geleidelijk loskomen en mogelijk storingen of ongevallen veroorzaken. Houw uw handen uit de buurt van alle bewegende delen van de verfspuitpistool.

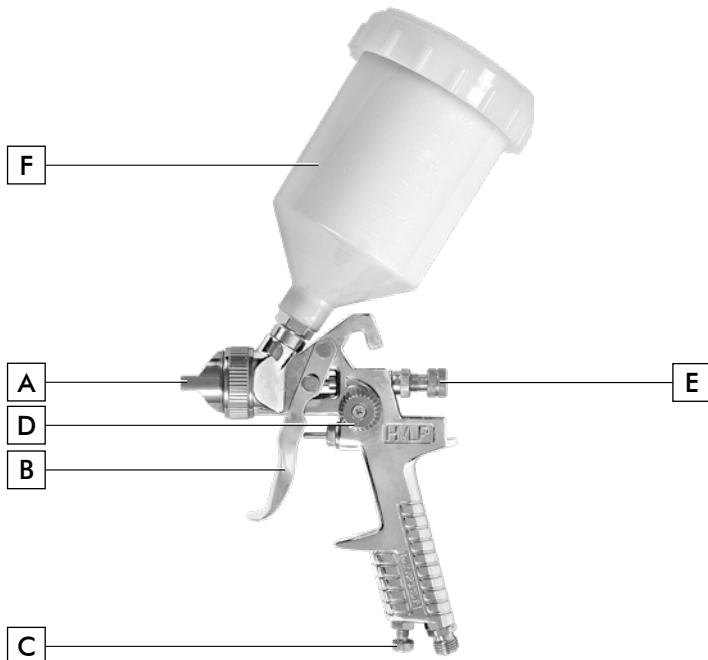
HET WERK EINDE.

Na gebruik, niet de geïnstalleerde accessoires in de verfspuitpistool aanraken. deze kunnen heet zijn en brandwonden veroorzaken. Sommige materialen waarmee gewerkt is kunnen chemicaliën

of giftige componenten bevatten. Vermijd het inademen van deze stoffen of met deze in contact komen met de huid. Gebruik PBM's ter voorkoming en bestrijding van incidenten van deze aard.

BESCHRIJVING VAN HET PRODUCT.

De verfspuitpistool is ontworpen om perslucht pulverisatiewerk uit te voeren. Raadpleeg dit plan om voor gebruik vertrouwd te raken met de verfspuitpistool.



- A. Spray richting controle.
- B. Trigger.
- C. Luchtdrukregeling.
- D. Spray controle.
- E. Mondstuk regulator.
- F. Tank.

PRODUCT COMPATIBILITEIT.

Compatibel met vernissen, lakken, lakverven, primers, polyurethaanverven, acrylverven, kunststofverven en acrylrubberverven.

GEBRUIKSAANWIJZING.

Voordat de verfspuitpistool gebruikt, is het raadzaam om alle aangegeven instructies zorgvuldig en voltooid te lezen. Ook moeten ongeval- en preventieregels, werkcentra voorschriften, richtlijnen, huidige wetten en beperkingen in rekening worden gehouden. De verfspuitpistool mag alleen worden gebruikt door personen die adequaat getraind zijn in de behandeling ervan, en alleen voor de doeleinden waarvoor deze is ontworpen.

LUCHTTOEVOER EN -AANSLUITSYSTEEM.

Volg voor een correcte installatie de stappen in het schema (13).

WERKING.

De nodige perslucht komt binnen door de luchtinlaat, die is vastgeschroefd aan de greep van de verfspuitpistool (1). Door de trekker te activeren, gaat het luchtventiel open tot het eerste drukpunt (initiële luchtcontrole) (2). Als u de trekker verder activeert, komt de verfnaald buiten het mondstuk (3). De verf stroomt dan door de zwaartekracht, zonder enige druk, en wordt verpulverd door perslucht (4).

MONDSTUK.

De mondstuk regulator past de hoeveelheid verf aan die wordt verpulverd (5). Voor meer verf, draai de mondstuk regulator naar links (6). Voor minder verf, draai de mondstuk regulator naar rechts (7).

SPUIT CONTROLE.

De spuit regelaar bepaalt de breedte van de spray van de verfspuitpistool. Draai de spray knop naar rechts voor een bredere-, of naar links voor een smallere dekking (8, 9). De spray controle kan tot 360° worden gedraaid en de verfstraal kan worden gericht zoals gewenst (10).

STARTEN.

Sluit de mondstuk regulator volledig (5). Verbind de verfspuitpistool aan het perslucht net (1). Druk op de trekker om eerst de perslucht- en daarna de productuitgang te controleren (2). De verfspuitpistool moet worden aangepast, afhankelijk van het soort verf dat wordt gebruikt. Open de vloeistof uitlaat controle tot de pulverisatie even is.

SPUITTECHNIEKEN.

Houd voor optimale resultaten het verfspuitpistool te allen tijde waterpas en evenwijdig met het werkgebied. Houd het verfspuitpistool op ongeveer 25-30 cm van het werkoppervlak en spuit gelijkmatig van links naar rechts en van boven naar beneden met zachte bewegingen. Spuit niet in een hoek aangezien er zo verdruppels op het oppervlak worden gevormd. Volg om op grote oppervlakken te spuiten een gepast werkschema (11). Voer de bewegingen om te spuiten uit met uw arm, niet met uw pols.

Controleer de snelheid waarmee u het verfspuitpistool beweegt voor een gelijkmatige beweging. Als u te snel beweegt, is de verflaag te dun. Als u te traag beweegt, is de verflaag te dik. Breng de lagen één voor één aan met een geschikte droogtijd ertussen, in overeenstemming met de aanbevelingen van de fabrikant.

NAALD, MONDSTUK EN REGELAAR VERWISSELEN.

Draai de sprayrichtingscontrole (A) los en verwijder deze. Draai de mondstuk regulator (E) los en verwijder deze. Trek vervolgens de vloeistofstroomnaald terug totdat deze volledig is verwijderd. Gebruik de meegeleverde sleutel om het vloeistofstroommondstuk los te schroeven en van de kop te verwijderen, en schroef vervolgens het nieuwe vloeistofstroommondstuk vast. Plaats de nieuwe vloeistofstroomnaald. Schroef vervolgens de mondstuk regulator (E) vast. Schroef de nieuwe sprayrichtingscontrole in (A).

BELANGRIJK.

Het gebruik van producten met gehalogeneerde koolwaterstoffen kan tot chemische reacties leiden en explosies veroorzaken. Bij gebruik van oplos- en wasmiddelen met gehalogeneerde koolwaterstoffen, zoals 1,1,1-trichloorethaan en methyleen-chloride chlooraat, kunnen chemische reacties optreden in de tank, de verfspuitpistool en de verzinkte denle (1,1,1-trichloorethaan in contact met water druppels produceert chlorohydric zuur). We raden het gebruik van producten aan die niet deze elementen bevatten. Voordat u de verfspuitpistool en de bijbehorende accessoires gebruikt, moeten deze worden gereinigd met met een tinner reinigingsmiddel, om de beschermende folie die is aangebracht vóór verpakking ge verwijderen. Nooit zuren of alkalische producten gebruiken om de verfspuitpistool te reinigen.

ONDERHOUD.

Tap alle condens uit de luchtcompressor tanks en slangen (12). Om dit te doen, opent u de decompressie kranen en andere drainage kleppen in de tanks. De verfspuitpistool is ontworpen voor een lange levensduur met een minimum aan onderhoud. Optimaal gebruik hangt af van de juiste verzorging van de verfspuitpistool en het regelmatig reinigen. De verfspuitpistool kan effectief worden gereinigd met perslucht. Als er geen perslucht beschikbaar is, gebruik dan een borstel om de stof

uit de verfspuitpistool te verwijderen. Sommige reinigingsmiddelen en oplosmiddelen kunnen schade aan kunststof onderdelen veroorzaken, onder deze zijn benzine, tetrachloorkoolstof, chloorhoudende schoonmaakmiddelen, ammoniak en huis-houdelijke schoonmaakmiddelen die ammoniak bevatten. Gebruik geen van deze om de verfspuitpistool te reinigen.

MILIEU BESCHERMING.

De materialen en componenten die zijn gebruikt om dit product te vervaardigen kunnen worden hergebruikt en gerecycleerd. Werku® is gehecht aan een geïntegreerd managementsysteem dat verantwoordelijk is voor de correcte verwijdering van de residuen van dit product. Gooi dit product niet eg met de gewone vuilnis. Werku® biedt haar klanten een gratis collectiedienst voor deze resten op elke verkooppunt, op het verzamelpunt van het managementsysteem en op het schone inzamelpunt van uw woonplaats.

GARANTIE EN TECHNISCHE SERVICE.

Werku® biedt een garantie aan die de reparatie van alle geconstateerde gebreken die te wijten aan fouten in het materiaal of de fabricage dekt. Om deze dekking effectief te zijn is het noodzakelijk dat de gebreken verschijnen binnen de geldigheidsduur. De consument heeft recht op gratis reparatie van alle defecten (verzendkosten, arbeidskosten en materialen inbegrepen) hetzij via de reparatie of door vervanging (eventueel met een nieuwer model). In ieder geval accepteert Werku® geen vervangingen als deze kosten onevenredig in vergelijking met de reparatiekosten. Deze garantie doet geen afbreuk aan de consumentenrechten die zijn vastgelegd in Europese of nationale wetgeving. Deze garantie is geldig gedurende 3 jaar. The geldigheidsduur begint op de datum van aankoop van de eerste consument. Deze datum wordt getoond op de factuur of aankoopbon. Alle claims die voortvloeien uit deze garantie moeten aan de Werku distributeur of aan de Werku® Technische Dienst worden voorgelegd. Hiervoor moet u deze garantie correct ingevuld en gestempeld by de distributeur presenteren, samen met de factuur of kassabon. Voor welke informatie ook over deze garantie, kunt U contact opnemen met de Technische Dienst op het telefoonnummer +34 981 648 119, of per e-mail op info@werku.com. Deze garantie geldt niet voor defecten veroorzaakt door onderdelen die versleten zijn door gebruik en andere




vormen van natuurlijke slijtage, defecten veroorzaakt door het niet opvolgen van de instructies voor het gebruik, bij toepassingen waarvoor dit product niet bestemd is, voor afwijkende omgevingsfactoren, overbelasting of onzorgvuldig onderhoud of reiniging, voor gebreken veroorzaakt door het gebruik van onderdelen, accessoires of vervangingen die niet origineel Werku® onderdelen zijn, indien dit product geheel of gedeeltelijk gedemonteerd, aangepast of gerepareerd is door iemand verschillend van de Technische Dienst, bij minimale en irrelevante onregelmatigheden die het normale gebruik niet beïnvloeden. Reparaties en vervangingen verlengen of vernieuwen de geldigheidsduur van deze garantie niet. De vervangen onderdelen worden eigendom

van Werku®. Indien de koper dit product naar de Technische Dienst stuurt en deze niet voldoet aan de voorwaarden van deze garantie, zijn alle onkosten en transport risico's voor de koper. Deze garantie is alleen geldig op het grondgebied van de Europese Unie. Het bedrijf dat verantwoordelijk is voor de naleving van deze garantie is Werku Tools SA.

TECHNISCH ADVIES.

De technische afdeling van Werku® staat tot uw beschikking om eventuele vragen op te lossen die u mocht hebben met betrekking tot zijn producten. Als u contact wilt opnemen met ons team, stuur dan een e-mail naar info@werku.com.

MOGELIJKE PROBLEMEN EN OPLOSSINGEN.

PROBLEEM	OORZAAK	OPLOSSING
Ongelijke spuitgrootte door slechte verneveling.	Er komt te veel verf in de luchtstroom. Onvoldoende lucht die de verfstroom raakt.	Verlaag de verfstroom of verklein de spuitmond naar de volgende maat kleiner. Verhoog de luchtstroom met luchtregeling.
Intermitterend spuiten.	Luchtinlaat in het verfcircuit.	Draai het mondstuk vast met de sleutel voor meerdere maten. Controleer of de verfpot niet leeg is.
Overspuiten.	Afstand tussen verfpistool en werkstuk. Techniek. Verneveling te hoog.	Houd een afstand van 20 cm. Zorg ervoor dat u het pistool niet op de voor- of achterrand beweegt. Verminder de luchtstroom met luchtregeling.
Slecht gevormd sproei patroon. 	Uitlijning mondstuk of luchtkap. Onzuiverheden of opgedroogde verf die de luchtkap blokkeren. Versleten of beschadigde naaldpunt.	Controleer of beide goed zitten. Controleer en reinig indien nodig de luchtkap en het mondstuk. Vervang de naaldeenheid.
Gebrek aan spuiten in het midden. 	Onvoldoende verfinvoer in de luchtstroom. Te veel luchtstroom.	Verhoog de verfstroom of vergroot de spuitmond naar de volgende maat. Verminder de luchtstroom met luchtregeling.
Ongelijke waaivorm. 	Luchtkapgaten zijn aan één kant geblokkeerd. Versleten luchtkap en naaldpunt of beschadigd mondstuk.	Reinig de luchtkap grondig. Vervang de naaldeenheid.
Lucht- of verflek.	Naald of trekkermechanisme verstopt. Losse of versleten ringen.	Bewegende delen smeren. Controleer de dichtheid en indien vast, vervang en smeer de ringen.

DECLARAÇÃO CONFORMIDADE CE.

Werku® declara que a pistola de pintar WK500740 corresponde ás seguintes Diretivas e Normativas: 2006/42/CE EN1953:2013








La Coruña, 01/02/2022
R Yáñez
Werku Tools SA

CARACTERÍSTICAS TÉCNICAS.

Compressor	≥ 1.5 hp
Pressão trabalho	3-4 bar
Pressão máxima	8 bar
Entrada ar	BSP 1/4"
Transferência pintura	> 70%
Consumo ar	175 l/min
Diâmetros mangueira	8 x 15 mm
Diâmetro passagem fluido	1.7 mm
Capacidade depósito	600 ml
Peso líquido	0.7 kg
Pressão acústica LpA	≤ 92.7 dB(A)
Possível variação KpA	2.5 dB(A)
Pressão acústica LwA	≤ 78.8 dB(A)
Possível variação KWA	2.5 dB(A)

PICTOGRAMAS.

-  Ler manual de instruções
-  Usar protecção ocular
-  Usar protecção para os ouvidos
-  Usar protecção para nariz e boca
-  Conformidade europeia

INSTRUÇÕES DE SEGURANÇA.

Esta ferramenta pneumática deve funcionar como pistola de pintar. Leia todos os avisos de segurança, instruções, ilustrações e especificações fornecidas com esta ferramenta pneumática. O não cumprimento de todas as instruções listadas abaixo

pode resultar em choque elétrico, incêndio e/ou ferimentos graves. Manter todos os avisos e as instruções para referência futura. Os acidentes poderiam evitar-se em muitos casos dando-se conta de uma situação perigosa antes de que se produza, e observando fielmente os procedimentos de segurança apropriados. Não utilize nunca esta ferramenta pneumática para aplicações que não sejam as especificadas neste manual. Operações para as quais esta ferramenta pneumática não foi projetada podem criar um perigo e causar ferimentos pessoais.

SEGURANÇA DO ÁREA DE TRABALHO.

Manter a área de trabalho limpa e bem iluminada. As áreas desorganizadas e escuras provocam acidentes. Não opere esta ferramenta pneumática perto de materiais inflamáveis. Faíscas podem inflamar esses materiais. Manter longe do alcance das crianças e curiosos enquanto estiver operando uma ferramenta pneumática. As distrações podem fazer você perder o controle. Mantenha as pessoas presentes a uma distância segura da área de trabalho. Qualquer pessoa que entrar na área de trabalho deve usar equipamento de proteção individual. Fragmentos da peça de trabalho ou de um acessório quebrado podem voar e causar ferimentos além da área imediata de operação.

SEGURANÇA PESSOAL.

Esteja alerta, observe o que está fazendo e use o bom senso ao operar esta ferramenta pneumática. Não use esta ferramenta pneumática quando estiver cansado ou sob a influência de drogas, álcool ou medicamentos. Um momento de desatenção enquanto opera esta ferramenta pneumática pode causar ferimentos graves.

USE EPIS.

Use equipamento de proteção individual. Dependendo da aplicação, use proteção facial ou óculos de proteção. Conforme apropriado, use máscara contra pó, protetores auditivos, luvas e avental de oficina capazes de parar pequenos fragmentos abrasivos ou da peça de trabalho. A proteção ocular deve ser capaz de impedir a projeção de detritos gerados por várias operações. A máscara contra poeira ou respirador deve ser capaz de filtrar as partículas geradas por sua operação. A exposição prolongada a ruídos de alta intensidade pode causar perda de audição.

NÃO TRABALHE DE PUNTILHAS.

Mantenha seus pés no chão e equilíbrio em todos os momentos. Isso permite melhor controle da ferramenta em situações inesperadas.

USAR ROUPA APROPRIADA.

Não use roupas folgadas ou jóias. Manter o cabelo, roupas e luvas longe das peças móveis. Roupas folgadas, jóias ou cabelos longos podem ser agarradas por partes. Se houver dispositivos para conexão através de extracção e colecta de pó, verifique se eles estão conectados e usados correctamente. O uso destes dispositivos podem reduzir os riscos relacionados à poeira.

ACOPLAMENTOS E TIPO DE AIRE.

Os acoplamentos rápidos se devem utilizar para a conexão com o sistema de ar comprimido e o manguito macho não estanco, deve-se instalar na pistola de pintar de maneira que não fique ar comprimido depois da desconexão. Não utilize nunca botijões de gás. Não utilize nunca botijões de oxigênio, gases combustíveis, etc. como fonte de propulsão desta pistola de pintar. A utilização destes gases ou de outros gases engarrafados é perigosa, já que a pistola de pintar poderia explodir. Utilize somente ar comprimido limpo, seco e regulado.

PRESSÃO MÁXIMA.

A pistola de pintar só se deve conectar a uma fonte de ar comprimido se a pressão não ultrapassa mais de um 10% a pressão máxima admissível da pistola de pintar; no caso de pressões mais elevadas se deve instalar uma válvula redutora de pressão, que inclua uma válvula de segurança águas abaixo, no fornecimento de ar comprimido.

NÃO APONTE COM A PISTOLA DE PINTAR.

Não aponte nunca com ele para si mesmo nem para outras pessoas. Não jogue nunca com a pistola de pintar, trate a pistola de pintar como unha ferramenta de trabalho.

GUARDE AS FERRAMENTAS PNEUMATICAS.

Guarde as ferramentas fora do alcance das crianças e não permitir o manuseamento de ferramentas pneumáticas para as pessoas não familiarizadas com as ferramentas ou com estas instruções. As ferramentas pneumáticas são perigosas nas mãos de utilizadores inexperientes.

MANUTENÇÃO.

Verifique as partes móveis de desalinhamento, não há peças quebradas ou outras condições que podem afectar o funcionamento das ferramen-

tas pneumáticas. As ferramentas pneumáticas são reparadas antes da utilização, quando estão danificadas. Muitos acidentes são causados por ferramentas pneumáticas sem manutenção. Use ferramentas pneumáticas, acessórios e pontas de ferramentas, etc de acordo com estas instruções e na forma prevista para o tipo particular da ferramenta, levando em conta as condições de trabalho e o trabalho a desenvolver. O uso da ferramenta pneumática para outras aplicações que não foram previstas, pode resultar em uma situação perigosa. Verifique a sua ferramenta reparada por um serviço oficial de reparação Werku® usando peças de substituição idênticas. Isso irá garantir a segurança da ferramenta seja mantida.

VERIFICAR CONDIÇÃO.

Verifique se os parafusos da pistola de pintar estão todos perfeitamente apertados. Em climas frios ou quando a pistola de pintar tenha estado sem uso durante muito tempo, deixe que a pistola de pintar aqueça um pouco fazendo-a funcionar em vazio durante uns minutos para permitir uma perfeita lubrificação dos componentes internos. Certifique-se que os possíveis acessórios instalados estão perfeitamente assentes na posição correcta.

ANTES DE COMEÇAR A TRABALHAR.

Certifique-se que se encontra firmemente apoiado. Certifique-se que não há ninguém debaixo da zona de influência da pistola de pintar quando levar a cabo trabalhos em zonas elevadas. Afaste as mãos das partes em movimento da pistola de pintar.

DURANTE O FUNCIONAMENTO.

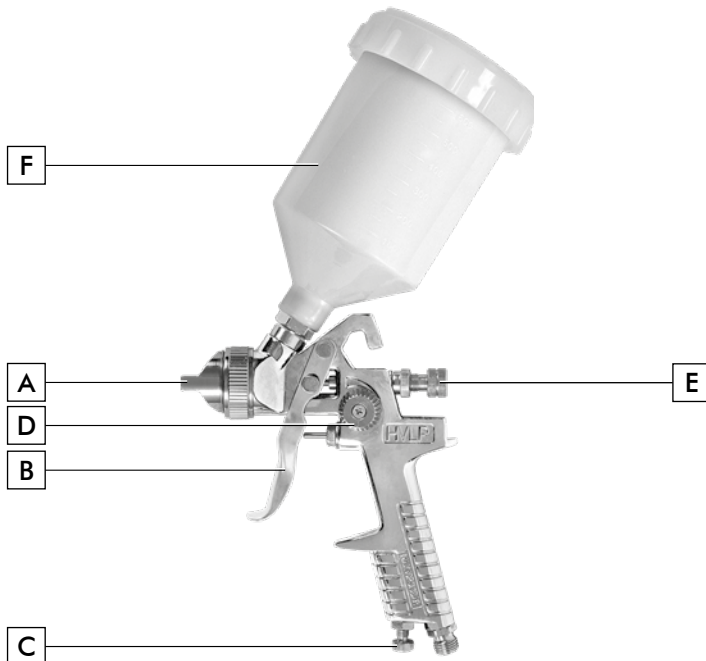
Não deixe a pistola de pintar a funcionar sem tela bem fixa. Coloque-o em funcionamento quando tiver a certeza que está perfeitamente controlado. Não aponte a pistola de pintar a ninguém durante o funcionamento. A pistola de pintar produzirá vibrações durante o funcionamento. Os parafusos podem afrouxar progressivamente podendo causar avarias ou acidentes. Afaste as mãos das partes em movimento da pistola de pintar.

AO TERMINAR DE TRABALHAR.

Não toque nos acessórios instalados na pistola de pintar após a sua utilização. Pode estar muito quente e provocar queimaduras. Alguns materiais sobre os quais trabalhará podem conter químicos ou componentes que podem ser tóxicos. Tenha cuidado para prevenir a inalação destas substâncias ou o contacto com a pele. Utilize os EPIs desenhados para o prevenir e proteger destas incidências.

DESCRIÇÃO DO PRODUTO.

A pistola de pintar foi desenhada para realizar trabalhos de pulverização de pintura com ar a pressão. Observe este esquema para se familiarizar com a pistola de pintar antes de a utilizar.



- A. Regulador direção leque.
- B. Gatilho.
- C. Regulador pressão ar.
- D. Regulador leque.
- E. Regulador passagem fluido.
- F. Depósito.

COMPATIBILIDADE PRODUTO.

Compatível com vernizes, lacas, esmaltes, primers, tintas de poliuretano, tintas acrílicas, tintas plásticas e tintas de borracha acrílica.

INSTRUÇÕES DE USO.

Antes de pôr a funcionar a pistola de pintar, é aconselhável ler completa e minuciosamente todas as instruções. Do mesmo modo, é preciso ter também em conta as normas para a prevenção de acidentes, os regulamentos e directrizes para os centros de trabalho, bem como as leis e restrições vigentes. A pistola de pintar deve ser utilizada unicamente por pessoas preparadas adequadamente para trabalhar com el e exclusivamente para os fins previstos.

COMPRESSOR.

Utilize unicamente como fonte de alimentação um compressor de ar. A pistola de pintar foi desenhada para funcionar com compressor de ar, portanto, nunca utilize dióxido de carbono, oxigênio ou outro gás de botijas.

SISTEMA DE SUPRIMENTO E CONEXÃO DE AR.

Para uma instalação correta siga os passos indicados no esquema (13).

FUNCIONAMENTO.

O ar comprimido necessário para pulverizar carrega-se pela entrada de ar, que está aparafusada ao punho da pistola de pintar (1). Ao accionar o gatilho, abre-se a válvula de ar até ao primeiro ponto de pressão (controlo prévio de ar) (2). Ao continuar a apertar o gatilho, a agulha de pintura sai da passagem de fluido (3). O fluido meio sai então, pela força da gravidade, sem pressão nenhuma, sendo pulverizado pelo ar comprimido (4).

PASSAGEM DO FLUIDO.

O regulador de passagem de fluido ajusta a quantidade de pintura pulverizada (5). Para retirar mais quantidade de tinta rode o regulador de passagem de fluido para a esquerda (6). Para retirar menos quantidade de tinta rode o regulador de passagem de fluido para a direita (7).

REGULADOR DE LEQUE.

O regulador de leque ajusta a amplitude pulverizadora da pistola de pintar. Rode o regulador de leque para a direita para um leque mais aberto ou para a esquerda para um leque mais apertado (8, 9). O regulador de direção de leque pode girar até um total de 360°, ao desapertar, poderá orientar o leque como desejar (10).

POSTA EM FUNCIONAMENTO.

Ligue o regulador de passagem de fluido no máximo (5). Ligue a pistola de pintar à rede de ar comprimido (1). Accione o gatilho verificando primeiro a saída de ar e depois a do produto (2). A pistola de pintar deve de ser ajustada segundo o tipo de tinta utilizada. Abra o regulador de passagem de fluido até que a pulverização seja uniforme.

TÉCNICAS DE PULVERIZAÇÃO.

Para obter um resultado óptimo mantenha a pistola pintar nivelada e paralela à superfície de trabalho em todos os momentos. Coloque a pistola pintar a uns 25-30 cm da superfície de trabalho e pulverize uniformemente da esquerda para a direita e de cima para baixo com movimentos suaves. Não pulverize em ângulo porque isso fará com que a pintura forme gotas sobre a superfície. Quando pulverizar sobre grandes superfícies siga um esquema adequado de trabalho (11). Realize os movimentos para pintar com o braço, não com o pulso. Controle a velocidade com que move a pistola pintar para obter um movimento uniforme. Um

movimento demasiado rápido levará a que a capa de pintura seja demasiado fina. Um movimento demasiado lento levará a que a capa de pintura seja demasiado grossa. Aplique as demãos uma a uma, deixando os tempos de secagem entre cada demão apropriados segundo as recomendações do fabricante.

MUDANÇA DE AGULHA, BICO E REGULADOR.

Desparafuse e remova o regulador de direção do leque (A). Desparafuse e remova o regulador de passagem de fluido (E). Em seguida, puxe a agulha de passagem de fluido até que seja completamente removida. Usando a chave fornecida, desparafuse e remova o bico de passagem de fluido da cabeça e, em seguida, aparafuse o novo bico de passagem de fluido. Insira a nova agulha de passagem de fluido. Em seguida, aparafuse o regulador de passagem de fluido (E). Aparafuse o novo regulador de direção do leque (A).

IMPORTANTE.

O uso de produtos que contenham hidrocarbonetos halogenados pode originar reacções químicas em forma de explosão. Ao utilizar dissolventes e detergentes com base em hidrocarbonetos halogenados, como 1,1,1-tricloroetano e cloreto de metileno, pode haver reacções químicas no copo, a pistola e as peças galvanizadas (o 1,1,1-tricloroetano em presença de vestígios de água produz ácido clorídrico). Recomendamos o uso de produtos que não contenham estes elementos. Antes de colocar em funcionamento a pistola de pintar e os seus acessórios, deve limpá-los com dissolvente de limpeza, para eliminar o tratamento de protecção aplicado antes da sua embalagem. Em nenhum caso utilizar ácidos, soda (alcalis, decapantes, etc.) para a limpeza.

MANUTENÇÃO.

Drene a condensação dos tanques compressores de ar e das mangueiras (12). Para tal, abra as torneiras de descompressão ou outras válvulas de drenagem dos tanques. A pistola de pintar foi desenhada para funcionar durante muito tempo com uma manutenção mínima. O funcionamento óptimo depende do bom cuidado da pistola de pintar e de uma limpeza frequente. A pistola de pintar deverá ser limpa de maneira eficaz mediante o uso de ar comprimido. Utilize sempre óculos protetores quando trabalhar com ar comprimido. Se não poder utilizar ar comprimido, retire as poeiras da pistola de pintar com uma escova. Alguns produtos de limpeza e dissolventes danificam os componentes de plástico, entre os quais se destaca a gasolina, o tetraclorometano, os dissolventes de limpeza clorados, o amoníaco, os

produtos de limpeza clorados, e os produtos de limpeza domésticos que contêm amoníaco. Não utilize nenhum dos produtos anteriormente mencionados para limpar a pistola de pintar

PROTECÇÃO DO MEIO AMBIENTE.

Os materiais e os componentes que foram usados para fazer este produto podem ser reutilizados e reciclados. Werku® está aderido a um Sistema Integrado de Gestão que está encarregado da correta eliminação dos resíduos deste produto. Não elimine este produto com os resíduos domésticos. Werku® oferece aos seus clientes um serviço livre de colecção destes resíduos nos seus pontos de venda, nos pontos da colecção estabelecidos pelo Sistema Integrado de Gestão ou no ponto de reciclagem da sua cidade.

GARANTIA E SERVIZO TÉCNICO.

Werku® oferece uma garantia que cobre a reparação dos defeitos resultantes de erros nos materiais ou na fabricação. Para isso é imprescindível que os defeitos ocorram dentro do período de validade. O consumidor tem direito á reparação gratuita dos defeitos (custos de envio, mão de obra e materiais incluídos), optar pela reparação da escada defeituoso ou pela substituição (substituindo, se for necessário, por um modelo posterior). Em qualquer caso, a Werku® não aceitará substituições se representarem um custo desproporcional em comparação com o custo de reparo. Esta garantia não afeta os direitos do consumidor estabelecidos pelas leis europeias ou nacionais. O período de validade desta garantia é de 3 anos. O período de validade começa na data de aquisição pelo primeiro consumidor. Esta data está reflectida na factura ou ticket de compra. A reclamação em virtude desta garantia deve apresentar-se ao distribuidor da Werku® ou ao Serviço de Assistência Técnica da Werku®. Para isso é imprescindível apresentar esta garantia devidamente preenchida e selada pelo distribuidor, juntamente com a factura ou o ticket de compra. Para qualquer informação referente a esta garantia o comprador e/ou o distribuidor pode pôr-se em contacto com o Serviço de Assistência Técnica, através do telefone +34 981 648 119, ou por correio electrónico info@werku.com. Ficam excluída desta garantia os defeitos que tenham sido causados por peças desgastadas pelo uso ou outro tipo de desgaste natural, os defeitos causados pela inobservância ou incumprimento das instruções de uso e funcionamento, ou de aplicações não conformes com o uso a que se destina este producto, ou de factores ambientais anormais, ou de sobrecarga, ou de manutenção ou limpeza inadequadas, defeitos causados pelo uso de acessórios, complementos ou peças de substituição que não sejam peças originais da Werku®, o producto




total ou parcialmente desmontado, modificado ou reparado por pessoal alheio ao Serviço de Assistência Técnica o as irregularidades mínimas e irrelevantes para o uso e funcionamento adequado. As reparações e substituições não prolongam nem renovam o prazo de validade desta garantia. As peças substituídas passam a ser propriedade da Werku®. Se o comprador enviar o producto para o Serviço de Assistência Técnica, não cumprindo as condições desta garantia, as despesas e riscos de transporte correm a cargo do comprador.

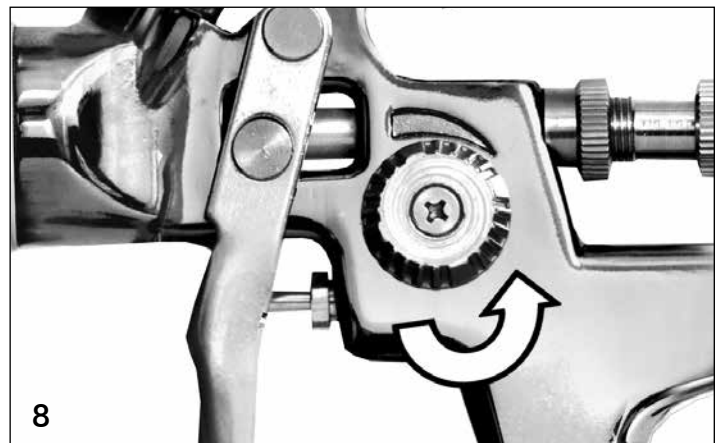
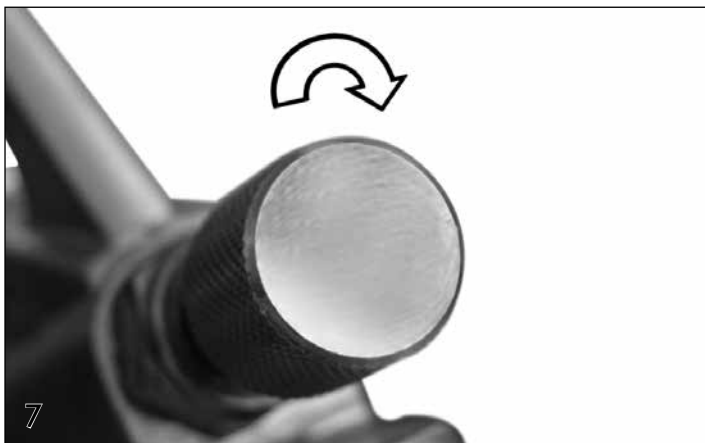
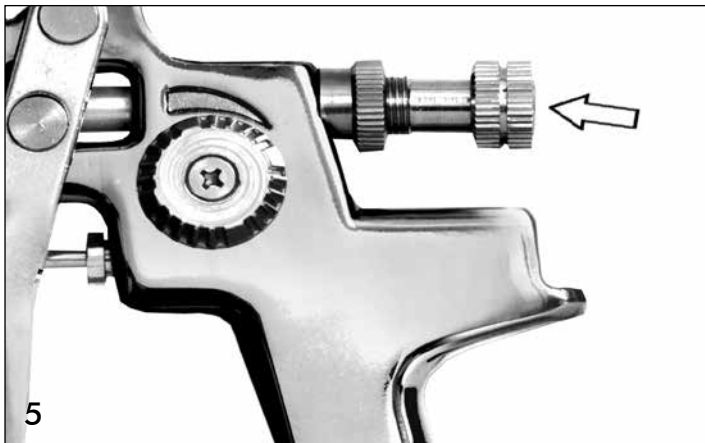
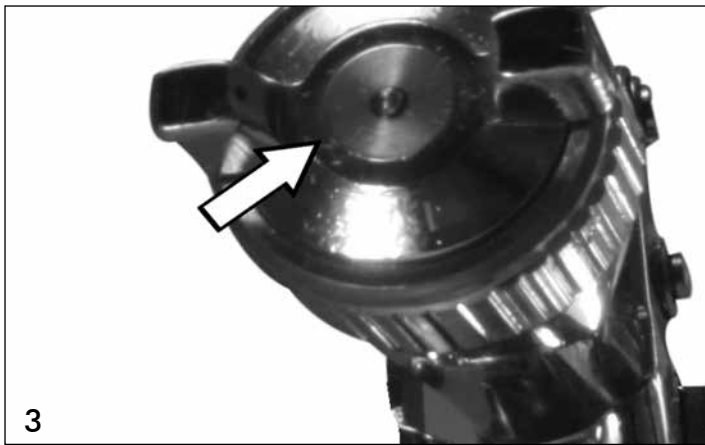
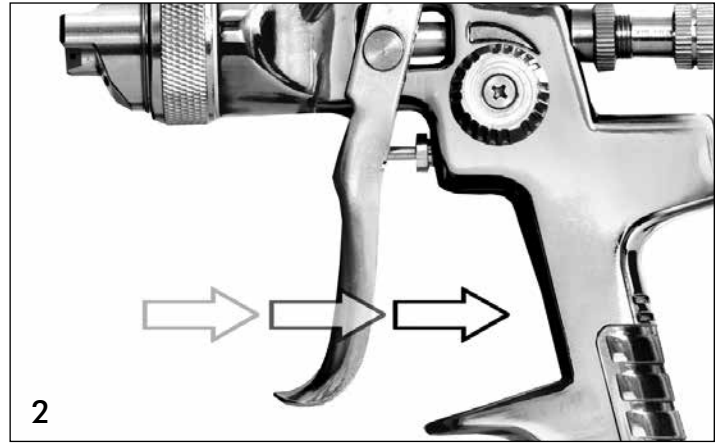
Esta garantia é válida dentro do território da União Europeia. A empresa responsável pelo cumprimento desta garantia é Werku Tools SA.

ASSESSORAMENTO TÉCNICO.

A Werku® põe a sua disposição seu departamento técnico para resolver qualquer dúvida que possa surgir sobre seus produtos. Em caso que deseje estabelecer contato com nossa equipe, remeta um correio eletrônico à direção info@werku.com.

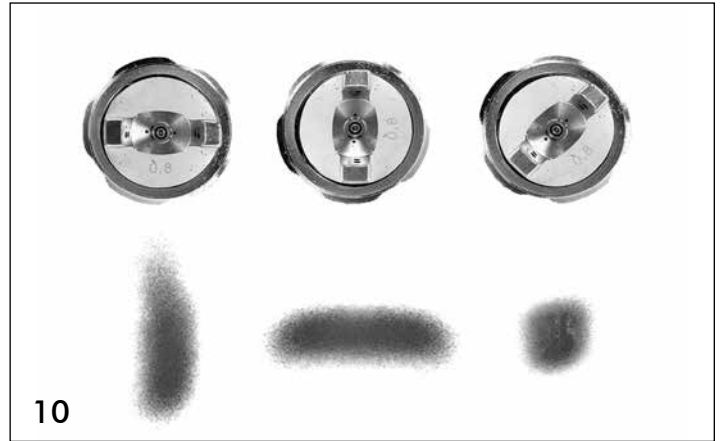
POSSÍVEIS PROBLEMAS E SOLUÇÕES.

PROBLEMA	CAUSA	SOLUÇÃO
Tamanho de pulverização desigual devido à atomização insuficiente.	Muita tinta entrando no fluxo de ar. Ar insuficiente atingindo o fluxo de tinta.	Diminua o fluxo de tinta ou reduza o bico para o próximo tamanho. Aumente o fluxo de ar com controle de ar.
Pulverização intermitente.	Entrada de ar no circuito de pintura.	Aperte o bico com a chave de tamanho múltiplo. Verifique se o pote de tinta não está vazio.
Pulverização excessiva.	Distância entre a pistola de pintar e a peça de trabalho. Técnica. Atomização muito alta.	Mantenha uma distância de 20 cm. Certifique-se de não mover a arma no bordo de ataque ou de fuga. Reduza o fluxo de ar com controle de ar.
Padrão de pulverização malformado. 	Alinhamento do bico ou tampa de ar. Impurezas ou tinta seca bloqueando a cápsula de ar. Ponta da agulha gasta ou danificada.	Verifique se ambos estão devidamente assentados. Verifique e, se necessário, limpe a cápsula de ar e o bico. Substitua o conjunto da agulha.
Falta de pulverização no centro. 	Entrada insuficiente de tinta no fluxo de ar. Muito fluxo de ar.	Aumente o fluxo de tinta ou aumente o bico para o próximo tamanho. Reduza o fluxo de ar com controle de ar.
Forma de leque irregular. 	Os orifícios da capa de ar estão bloqueados de um lado. Capa de ar e ponta da agulha desgastadas ou bico danificado.	Limpe a cápsula de ar completamente. Substitua o conjunto da agulha.
Vazamento de ar ou tinta.	Agulha ou mecanismo de gatilho obstruído. Arruelas soltas ou gastas.	Lubrifique as peças móveis. Verifique o aperto e, se estiver apertado, substitua e lubrifique as arruelas.

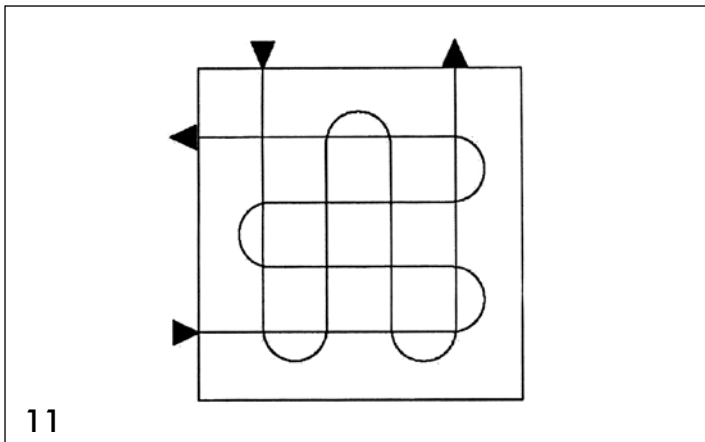




9



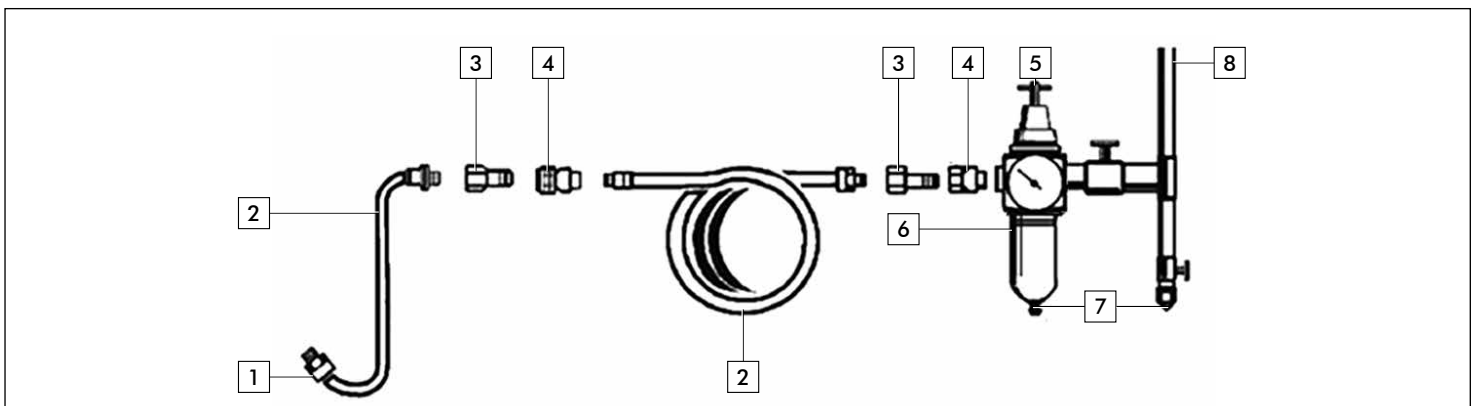
10



11



12



ENG

- 1. Do not install a quick coupler here
- 2. Air hose
- 3. Coupler
- 4. Quick coupler
- 5. Air regulator
- 6. Water separation
- 7. Drain daily
- 8. Air supply

ESP

- 1. No instale un acoplador rápido aquí
- 2. Manguera de aire
- 3. Acoplador
- 4. Acoplamiento rápido
- 5. Regulador de aire
- 6. Separación de agua
- 7. Drenar diariamente
- 8. Suministro de aire

DEU

- 1. Hier keine Schnellkupplung installieren
- 2. Luftschlauch
- 3. Kupplung
- 4. Schnellkupplung
- 5. Luftregler
- 6. Wasserabscheidung
- 7. Täglich entleeren
- 8. Luftversorgung

FRA

- 1. N'installez pas de coupleur rapide ici
- 2. Tuyau d'air
- 3. Coupleur
- 4. Coupleur rapide
- 5. Régulateur d'air
- 6. Séparation de l'eau
- 7. Vidanger quotidiennement
- 8. Arrivée d'air

ITA

- 1. Non installare qui un accoppiamento rapido
- 2. Tubo d'aria
- 3. Accoppiamento
- 4. Accoppiamento rapido
- 5. Regolatore d'aria
- 6. Separazione acqua
- 7. Scarico giornaliero
- 8. Alimentazione d'aria

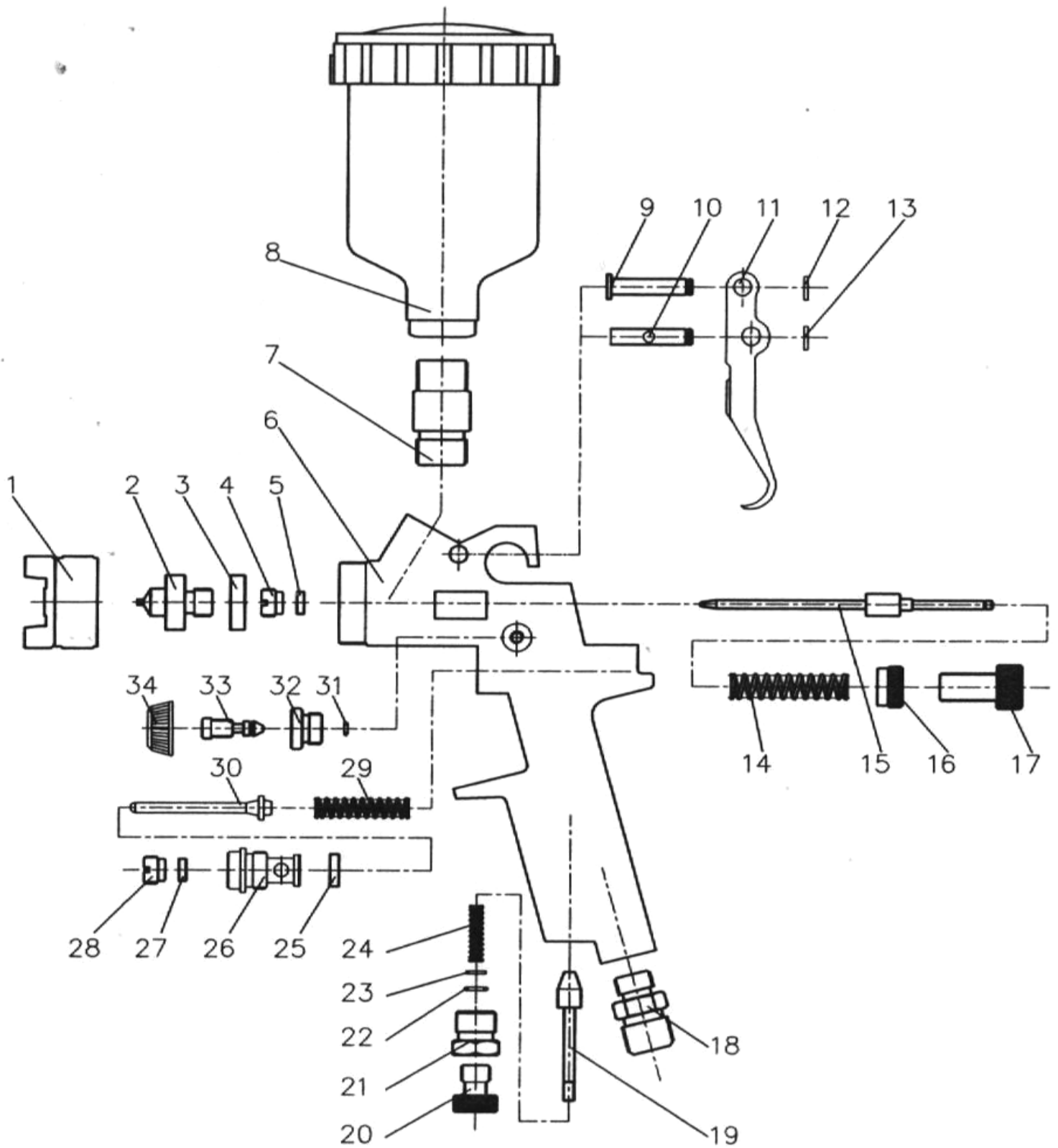
NED

- 1. Installeer hier geen snelkoppeling
- 2. Luchtslang
- 3. Koppeling
- 4. Snelkoppeling
- 5. Lucht regulator
- 6. Waterafscheiding
- 7. Dagelijks afvoeren
- 8. Luchttoevoer

POR

- 1. Não instale um acoplador rápido aqui
- 2. Mangueira de ar
- 3. Acoplador
- 4. Acoplador rápido
- 5. Regulador de ar
- 6. Separação de água
- 7. Drenar diariamente
- 8. Fornecimento de ar

13



ENG Technical service under guarantee is only provided upon presentation of this signed and stamped document, together with the invoice or receipt.

ESP Servicio técnico en garantía solo es prestado previa presentación de este documento firmado y sellado, junto con la factura o recibo.

DEU Service unter Garantie wird nur versehen bei Vorlage dieses unterzeichneten und abgestempelten Dokument, zusammen mit der Rechnung oder Quittung.

FRA Service technique sous garantie est fournie uniquement sur présentation de ce document signé et tamponné, avec la facture ou le reçu.

ITA Servizio tecnico in garanzia viene fornito solo dietro presentazione di questo documento firmato e timbrato, insieme alla fattura o ricevuta.

NED Service onder garantie wordt alleen verstrekt op vertoon van deze getekende en gestempelde garantie, samen met de factuur of kassabon.

POR Serviço técnico em garantia só é prestado mediante a apresentação deste documento assinado e carimbado, juntamente com a fatura ou recibo.

ENG Purchase date

ESP Fecha compra

DEU Kaufdatum

FRA Date achat

ITA Data acquisto

NED Aankoopdatum

POR Data compra

ENG Distributor stamp

ESP Sello distribuidor

DEU Vertrieber Stempel

FRA Tampon distributeur

ITA Timbro distributore

NED Dealer stempel

POR Carimbo distribuidor